

**Bommer Model 7813**  
**Medium Duty Center Hung Spring Pivot**

**Application**

Double Acting  
Weight to 90 lbs.  
Door Width up to 3'  
1-3/8" to 1-3/4" Thick doors  
Floor Mounted

**Non Hold-Open (NHO)**

**Handing**

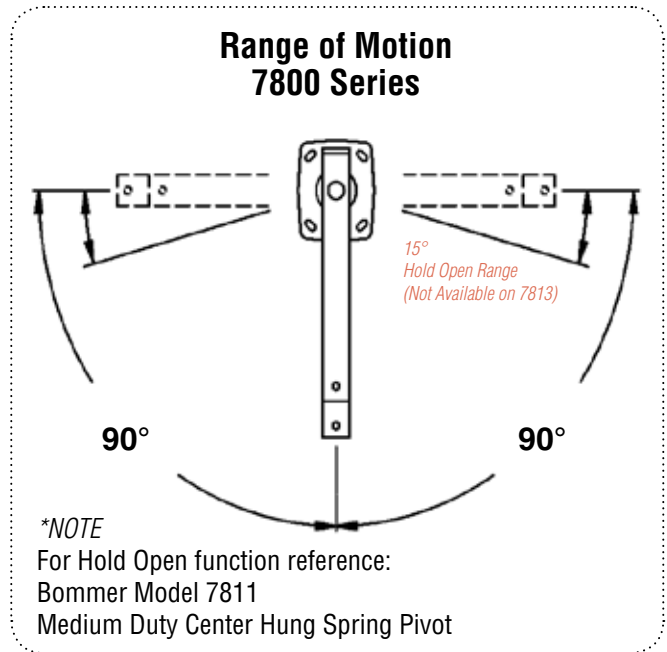
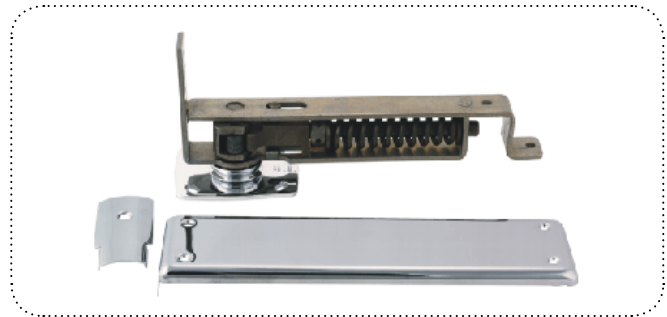
Non-Handed

**Finish**

Specify 652 - Satin Chrome  
Other finishes available, call for price and availability

**Features**

- Includes top pivot, bottom pivot and cover plates
- Center hung spring pivot for use on interior doors
- Commonly used on butler & pantry doors
- Spring returns pivot to center
- Steel pivot mechanism and plated steel cover plates
- Anti-friction bearing
- Adjustable spring tension



**Pivot Placement**  
**& Clearance Chart**  
**7800 Series**

