

Bommer Model 7813HD
Heavy Duty Center Hung Spring Pivot

Application

Double Acting
Weight to 150 lbs.
Door Width up to 3'
1-3/8" to 1-3/4" Thick doors
Floor Mounted

Non Hold-Open (NHO)

Handing

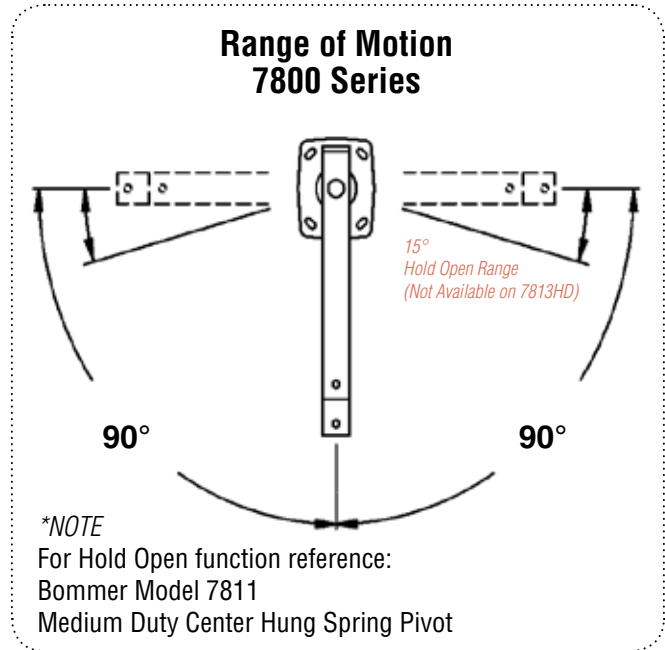
Non-Handed

Finish

Specify 652 - Satin Chrome
Other finishes available, call for price and availability

Features

- Includes top pivot, bottom pivot and cover plates
- Center hung spring pivot for use on interior doors
- Commonly used on butler & pantry doors
- Spring returns pivot to center
- Steel pivot mechanism and plated steel cover plates
- Anti-friction bearing
- Adjustable spring tension



Pivot Placement
& Clearance Chart
7800 Series

