

## Model 127-3/4

### Application

Interior Doors  
Weight to 200 lbs.  
Door Sizes up to 3'6" x 8'6"  
(1067 x 2591mm)  
Non-handed



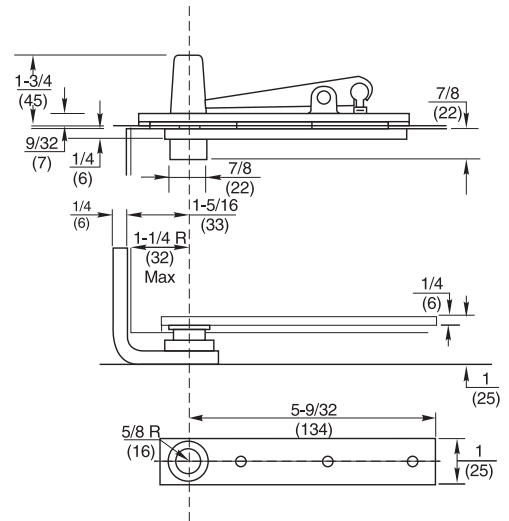
BHMA/ANSI NO: C07042

Center hung pivots are door hanging means only. To close doors see floor closer sections of the catalogs.

### Product Description & Features

- Standard top pivot 320 included
- Bottom pivot mortised into side jamb
- Weight of door borne by floor
- Pivot point centered in thickness of door
- Door must have radius on pivot edge
- Not allowed for use on labeled doors and frames
- Furnished with wood and machine screws
- Available with extended spindles in 1/2" (13mm) increments up to 2" (51mm) longer than standard

### Technical Information



## Model 128-3/4

### Application

Interior Doors  
Weight to 250 lbs.  
Door Sizes up to 3'6" x 8'6"  
(1067 x 2591mm)  
Non-handed



BHMA/ANSI NO: C07032

Center hung pivots are door hanging means only. To close doors see floor closer sections of the catalogs.

### Product Description & Features

- Identical to the 127-3/4 except:
- Bottom pivot mounts directly to floor

### Technical Information

