

Model 680

Application

Side Jamb Mounted
Frame Portion
Handed

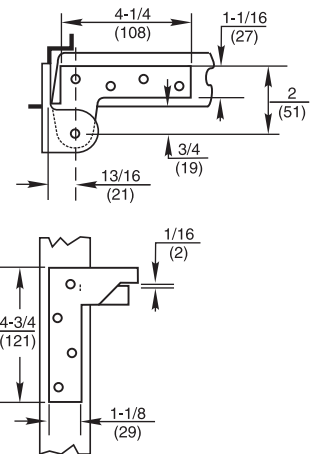


Product Description & Features

- Used where no frame exists above door, or where it is not possible to anchor pivot into header of frame
- Side jamb portion can be surface mounted or mortised
- Non-ferrous base material
- 3/4" (19mm) offset (*measured from centerline of pivot to face of door*)
- Furnished with wood and machine screws

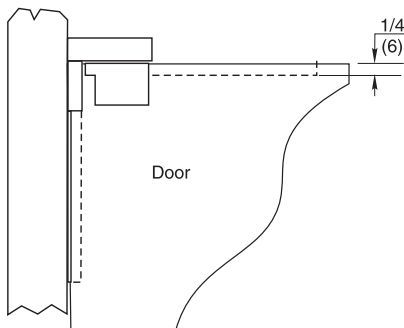
Technical Information

Frame stop required

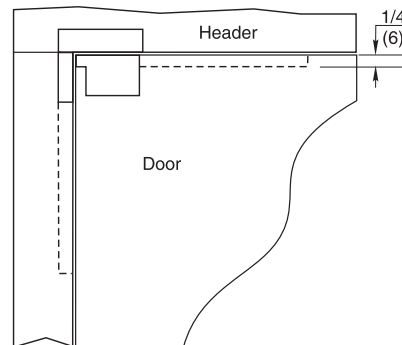


Technical Information

Surface Mount Jamb Double Mortise Door



Mortise Jamb, Header and Door



Mortise Jamb and Door

