

Model H117-3/4

Application

Exterior or Interior Doors
Weight to 1,000 lbs.
Door Sizes up to 4'0" x 8'6"*
(1219 x 2591mm)
Non-handed



BHMA/ANSI NO: C07011

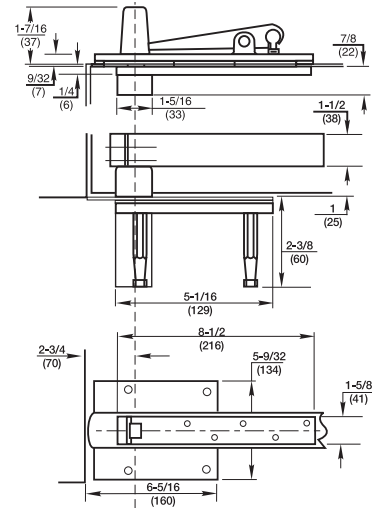
Center hung pivots are door hanging means only. To close doors see floor closer sections of the catalogs.*

For doors taller than 8'6" use top pivot H345 in lieu of H340

Product Description & Features

- Standard top pivot H340 included
- Bottom pivot is mortised into floor
- End load arm for minimum 2" (51mm) thick doors
- Pivot point centered in thickness of door
- Additional surface applied thrust bearing
- Door must have radius on pivot edge
- Pivot set features sealed bearings for protection against weather and debris
- Not allowed for use on labeled doors and frames
- Furnished with wood and machine screws
- Available with extended spindles in 1/2" (13mm) increments up to 2" (51mm) longer than standard

Technical Information



Model H117-3/4 x 587 Arm



BHMA/ANSI NO: C07011

Center hung pivots are door hanging means only. To close doors see floor closer sections of the catalogs.*

For doors taller than 8'6" use top pivot H345 in lieu of H340

Product Description & Features

- Standard top pivot H340 included
- Bottom pivot is mortised into floor
- Special side load arm for 1-3/4" thick doors or for moving pivot point toward lock edge of door
- Pivot point centered in thickness of door
- Additional surface applied thrust bearing
- Door must have radius on pivot edge
- Pivot set features sealed bearings for protection against weather and debris
- Not allowed for use on labeled doors and frames
- Furnished with wood and machine screws
- Available with extended spindles in 1/2" (13mm) increments up to 2" (51mm) longer than standard

Technical Information

