



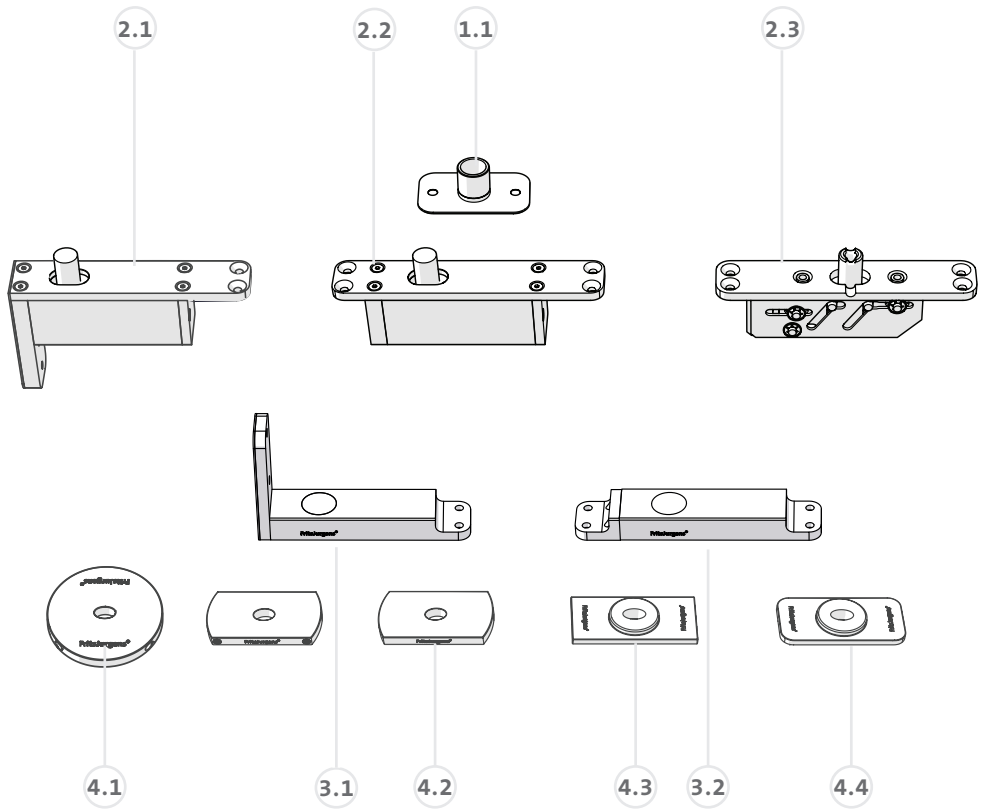
FritsJurgens®

SYSTEM ONE
MILLING AND MOUNTING MANUAL

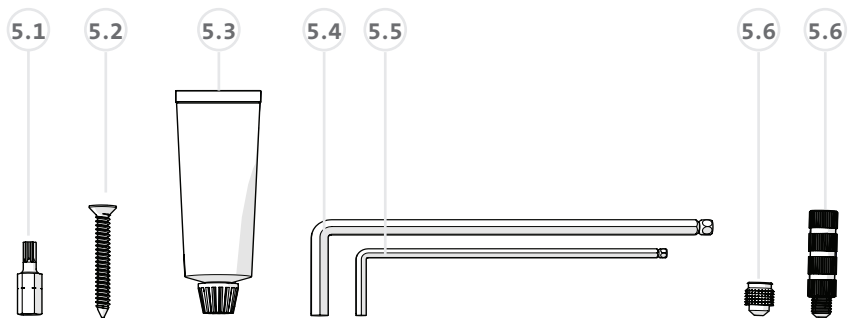
BOX CONTENTS

COMPONENTS

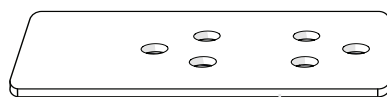
- 1.1 Ceiling plate - Class G
- 2.1 Top pivot 40 mm - Class G
- 2.2 Top pivot 70 mm - Class G
- 2.3 Top pivot Cable Grommet
- 3.1 Bottom pivot System One 70 mm
- 3.2 Bottom pivot System One 40 mm
- 4.1 Floor plate System M - Square Black
- 4.1 Floor plate - Squared NA
- 4.2 Floor plate - Flush squared
- 4.3 Floor plate - Flush rounded



MILLING AND MOUNTING KIT

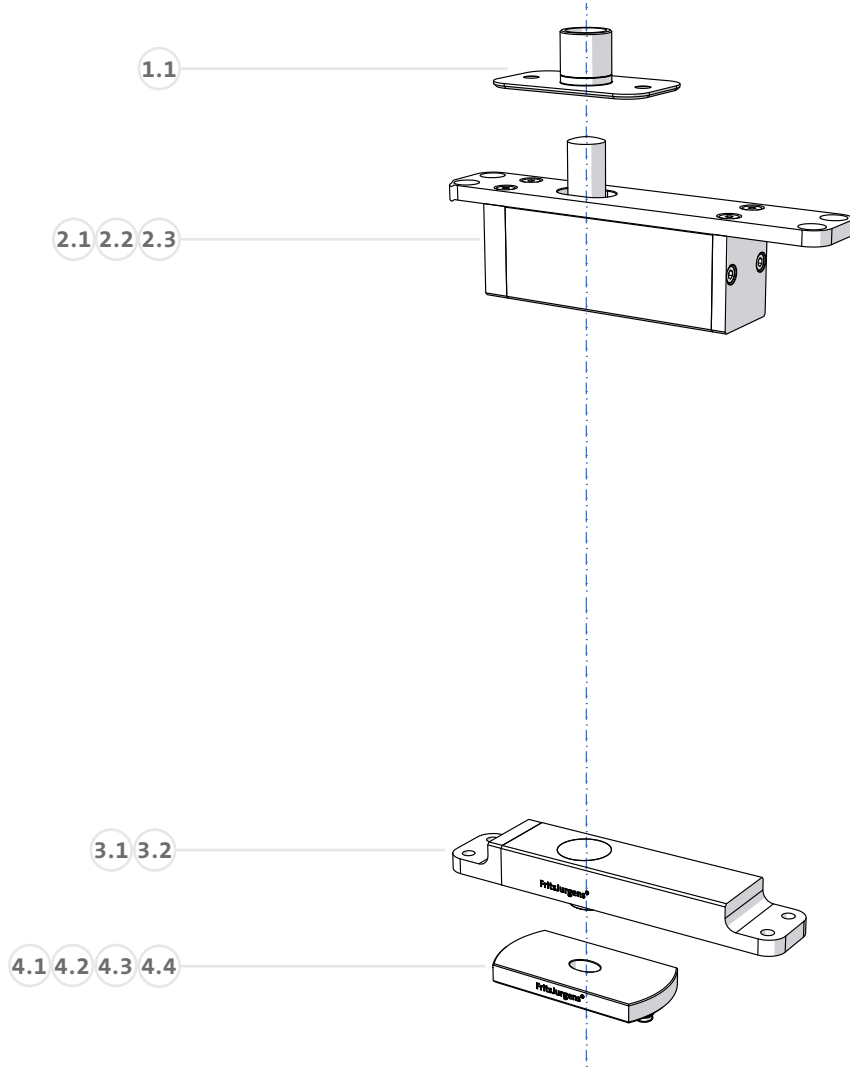


- 5.1 Torx bit TX20 (1x)
- 5.2 Screws (4x50) (10x)
- 5.3 Fitting adhesive
- 5.4 Allen key 5
- 5.5 Allen key 3
- 5.6 Mounting pins, short (2x)
- 5.7 Mounting pins, long* (2x)
- 5.8 Fitting template



* Only in box floor plate System M - Squared black and in box floor plate Squared NA

SYSTEM OVERVIEW



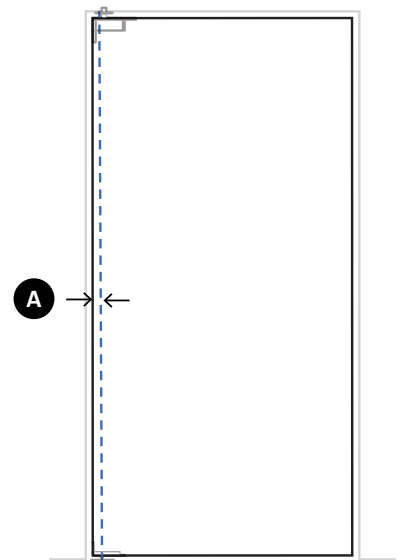
MILLING INSTRUCTIONS

→ Determine pivot point **A**.

System One

- $A = 40 \text{ mm}$ → page 4
- $70 \text{ mm} \leq A < 250 \text{ mm}$ → page 6
- $A > 250 \text{ mm}$ → page 8

Top pivot Cable Grommet → page 10



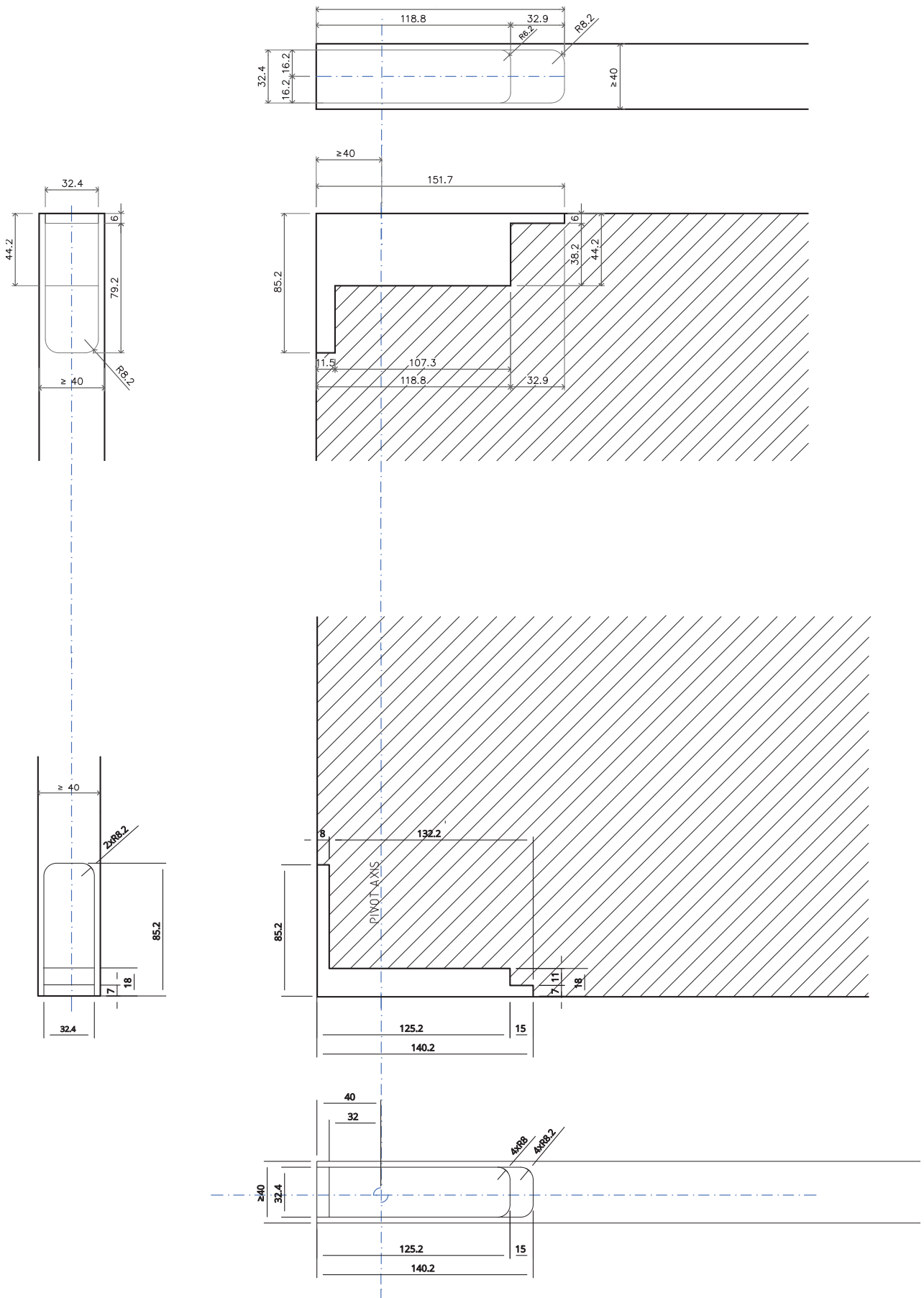
MOUNTING INSTRUCTIONS

→ page 11

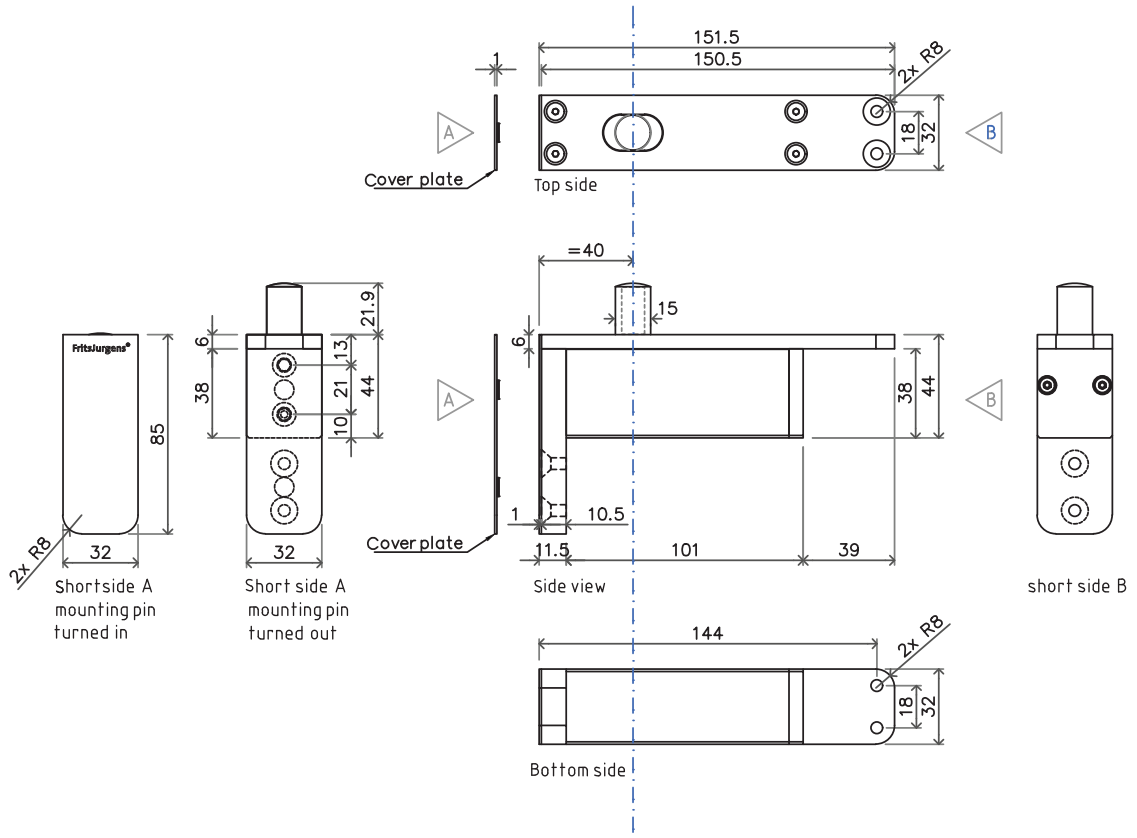
MILLING

A = 40 MM

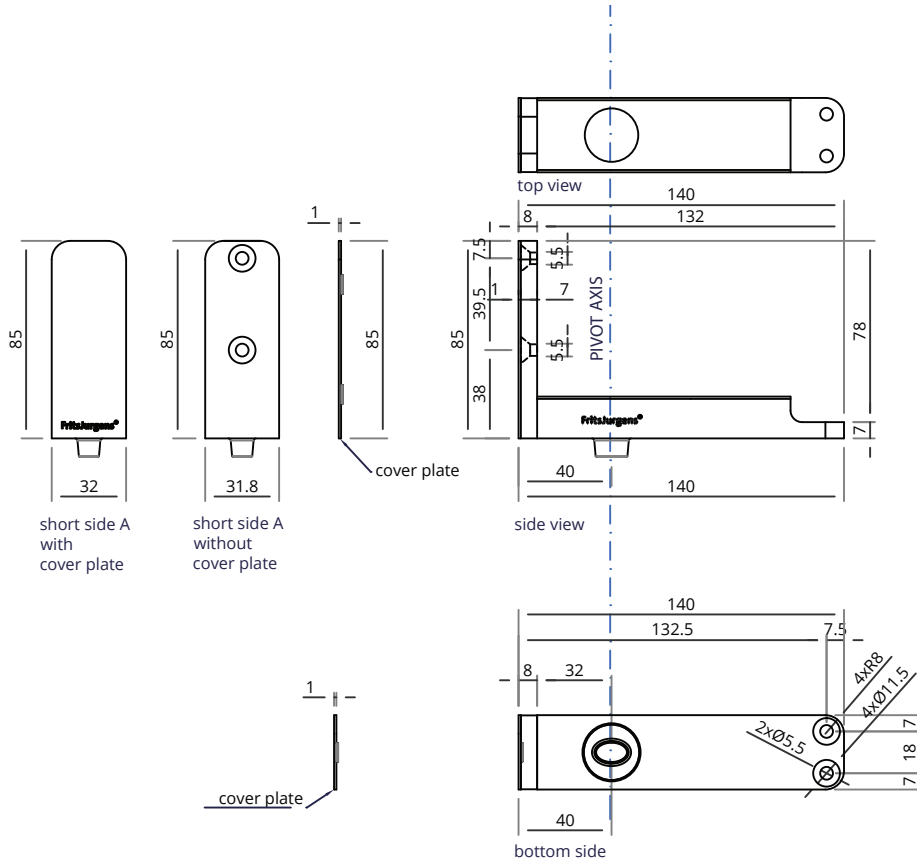
PREPARING THE DOOR



COMPONENTS



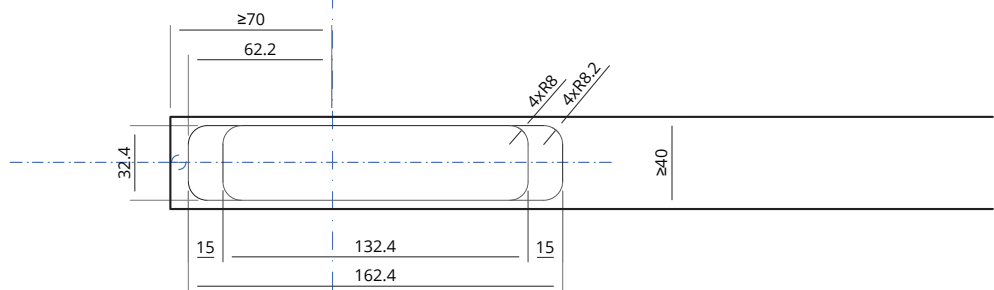
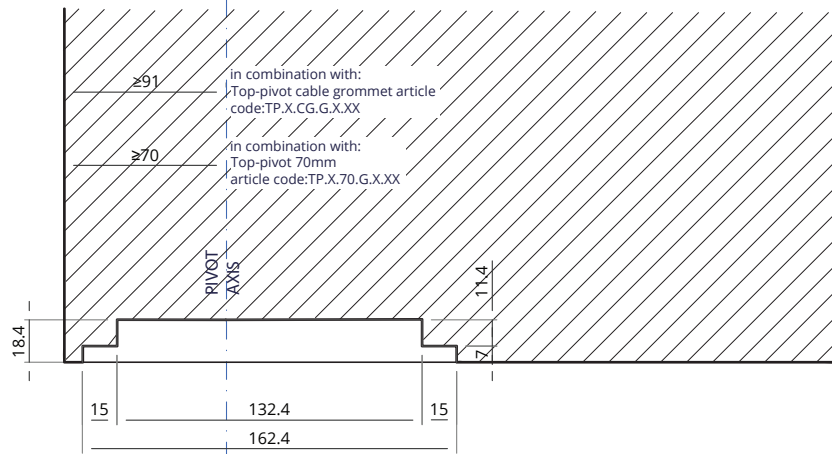
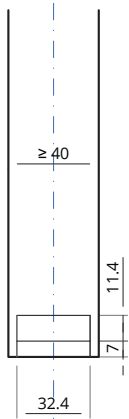
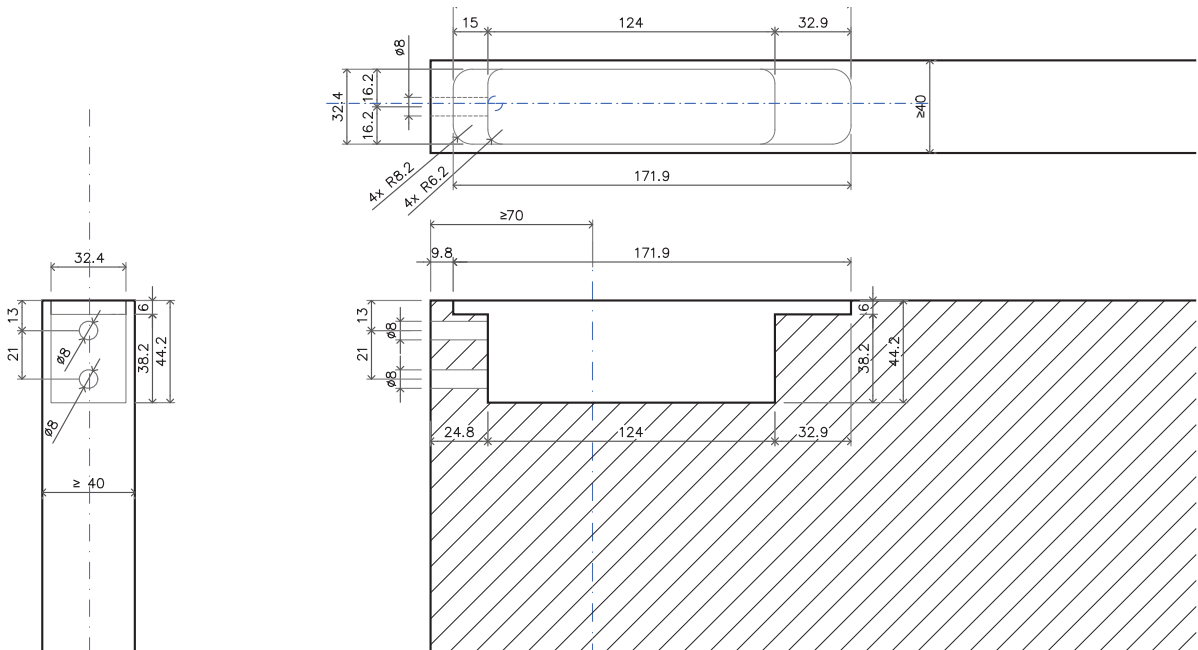
Top pivot 40 mm - Class G



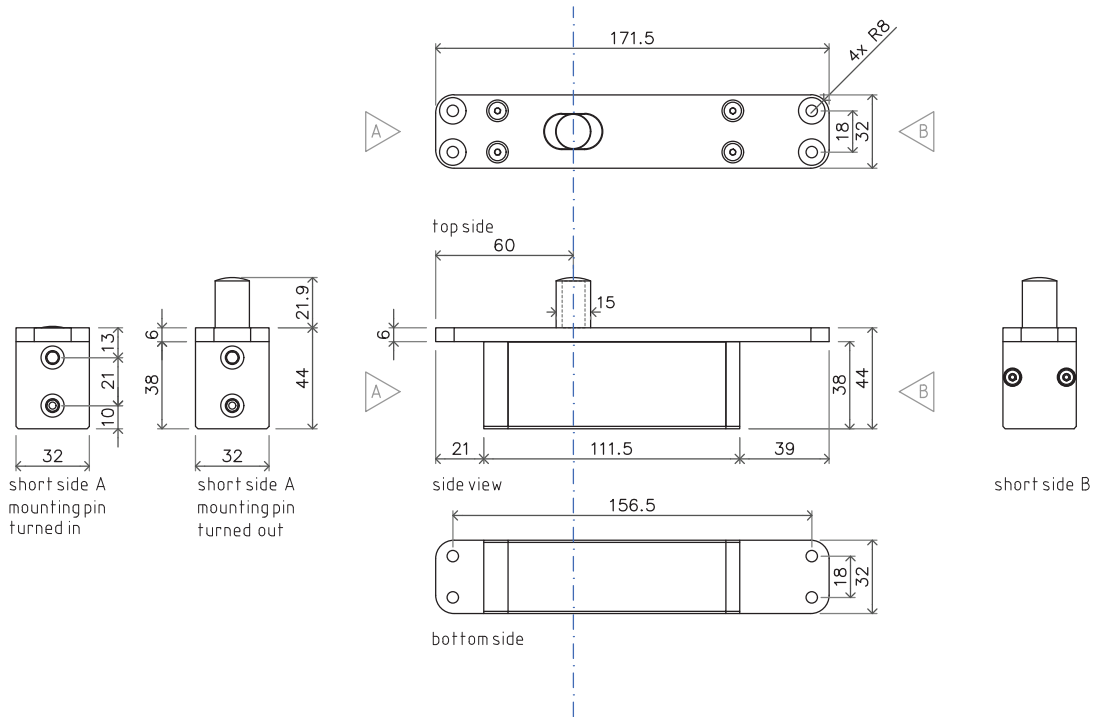
System One 40 mm

MILLING

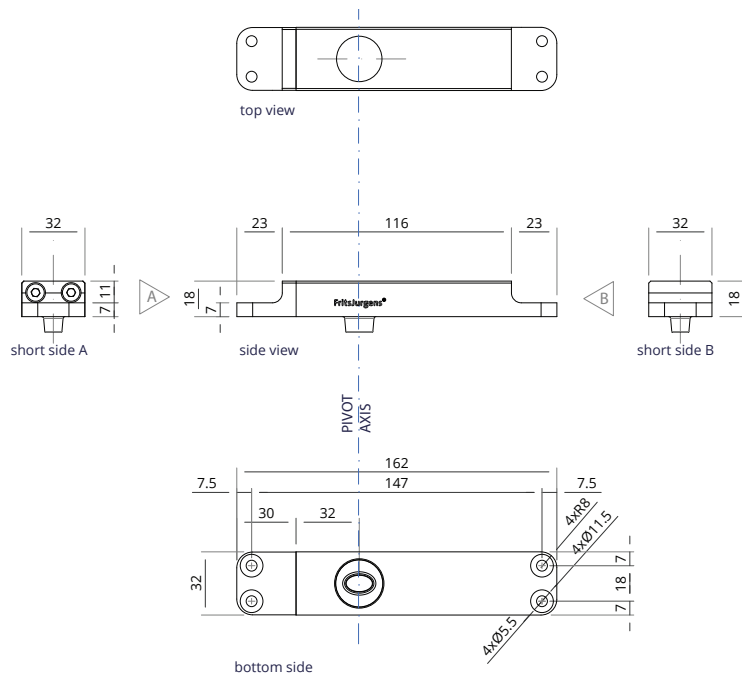
70MM ≤ A < 250 MM
 PREPARING THE DOOR



COMPONENTS



Top pivot 70 mm - Class G



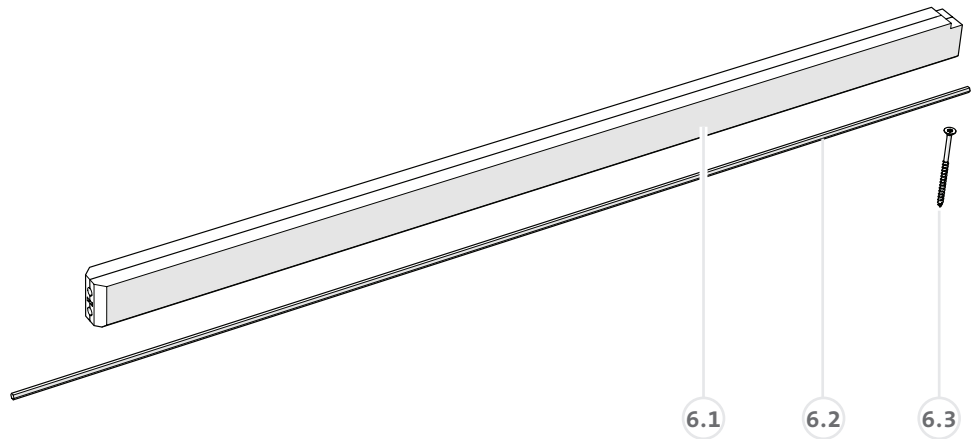
System One 70 mm

MILLING

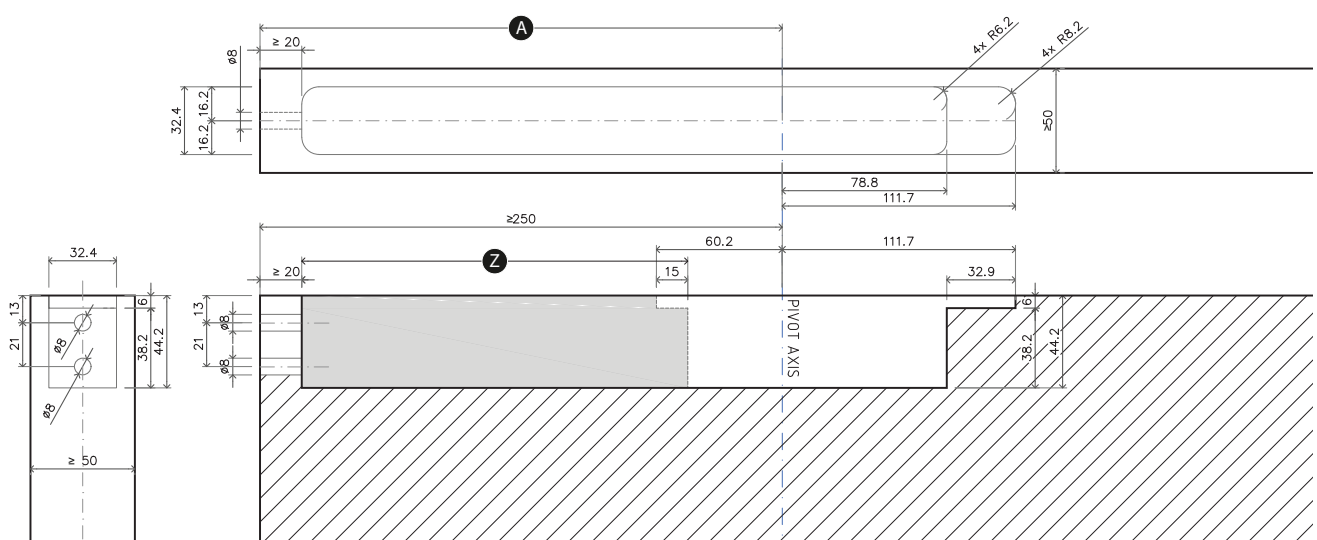
A > 250 MM

SUPPORTING COMPONENTS

- 6.1 Hexagon Guide 1 m *or*
Hexagon Guide 2 m
- 6.2 Hexagon 1.1 m *or*
Hexagon 2.1 m
- 6.3 Screw (4x70) (4x) *or*
Screw (4x70) (6x)

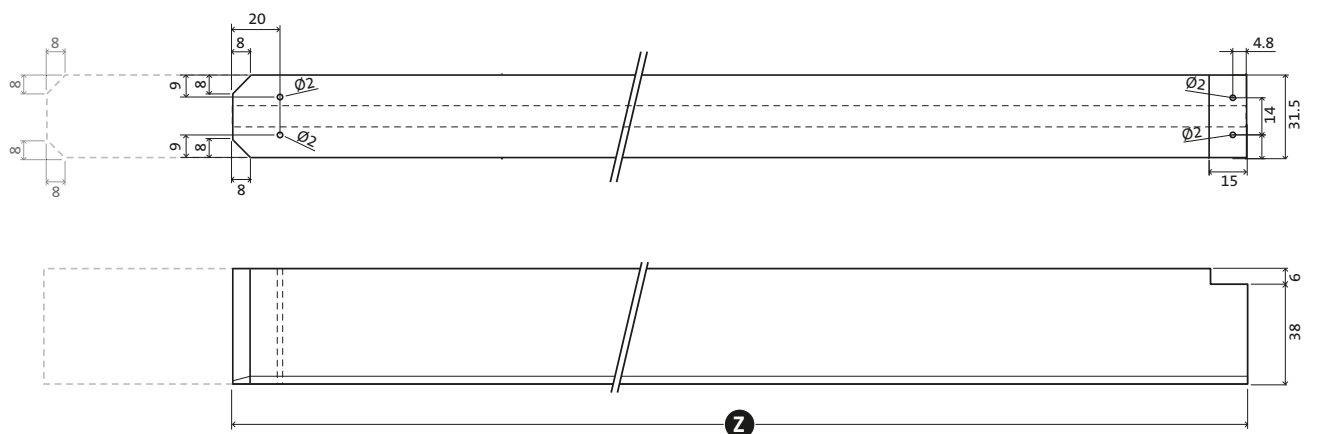


1 Determine Hexagon Guide length Z.



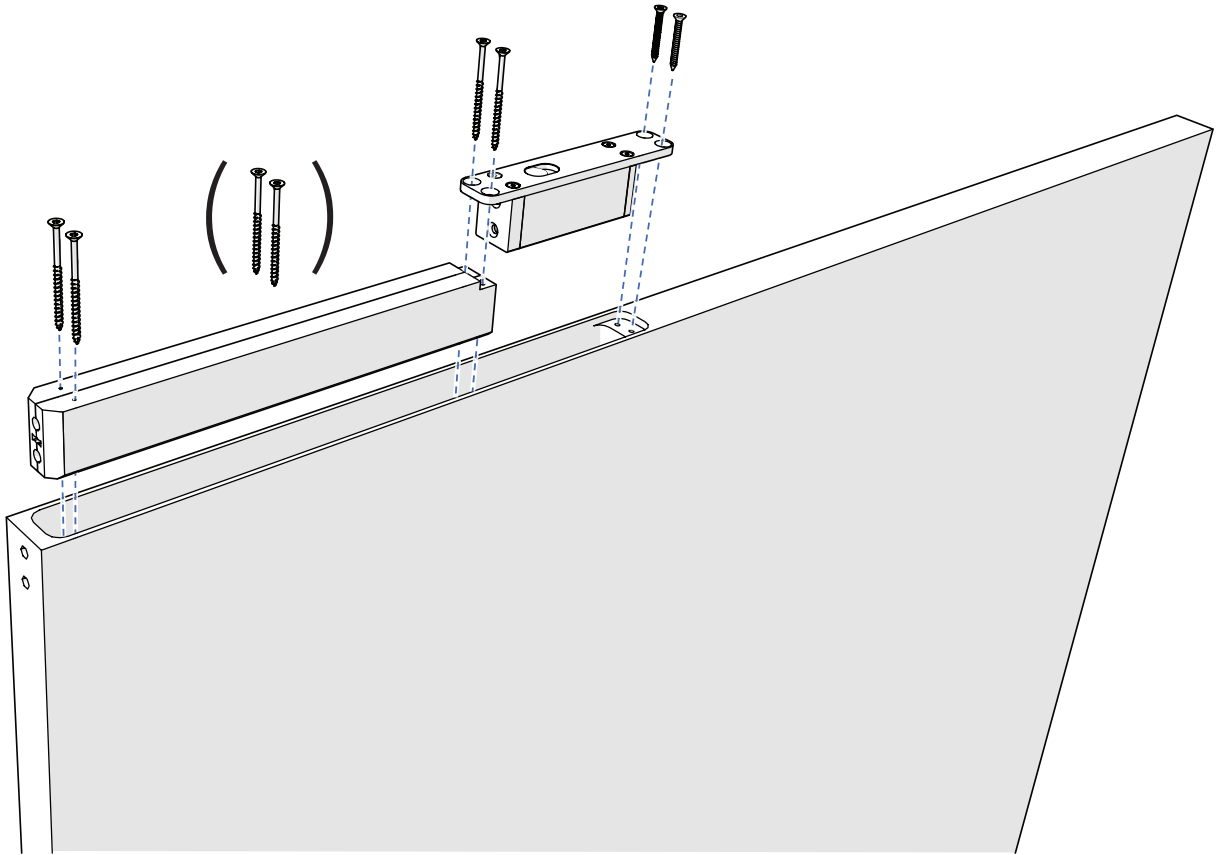
2 Cut the Hexagon Guide to size.

3 Chamfer the sides.



4 Drill holes for the mounting screws*. If you use the 1 m Hexagon Guide, two screws are enough. If you use the 2 m Hexagon Guide, use an extra pair.

5 Mount the Hexagon Guide and the top pivot.



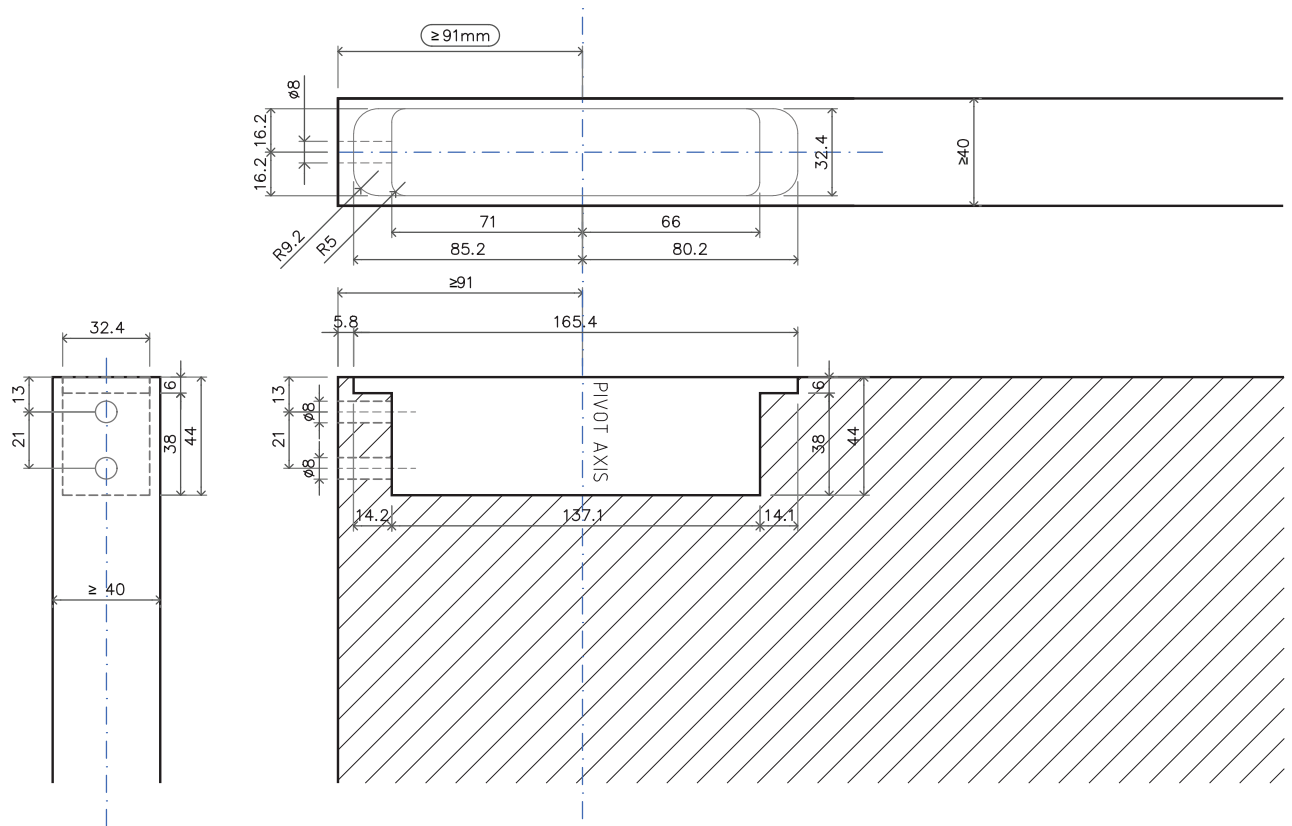
System One 40 mm → continue on page 4

System One 70 mm → continue on page 6

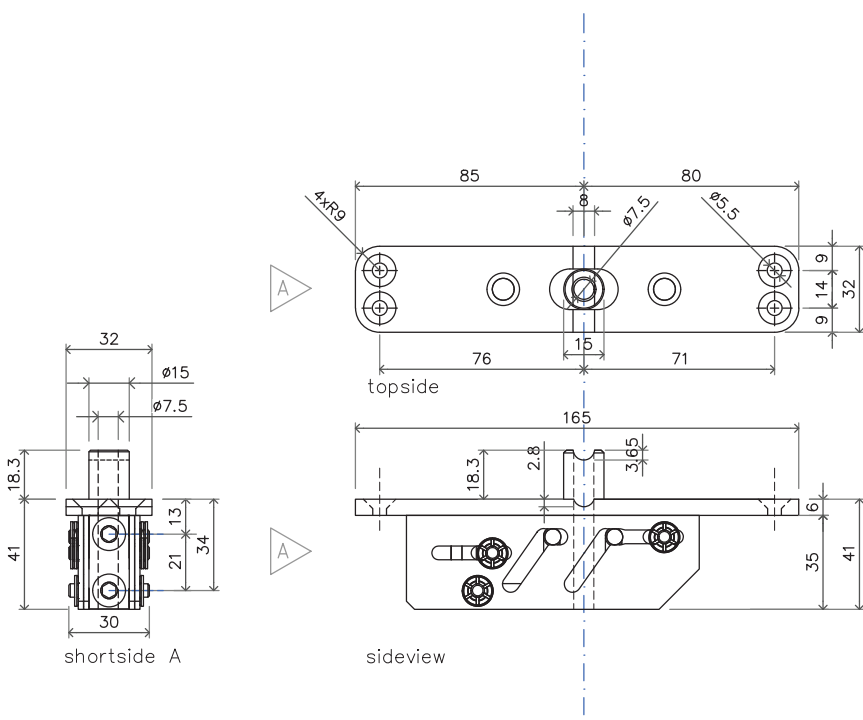
* Alternatively, use glue (not included) to mount the Hexagon Guide.

MILLING

TOP PIVOT CABLE GROMMET PREPARING THE DOOR

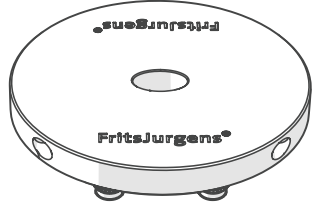
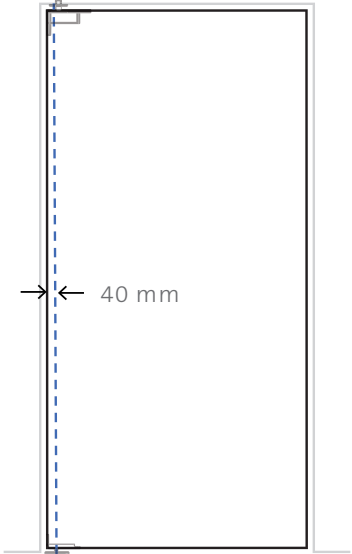


COMPONENT

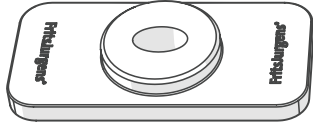


Side placement

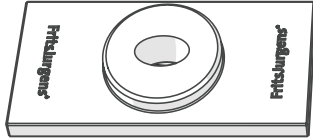
System One 40 mm



→ page 12



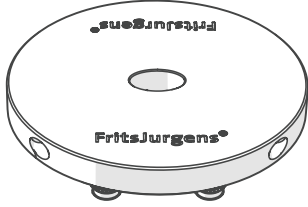
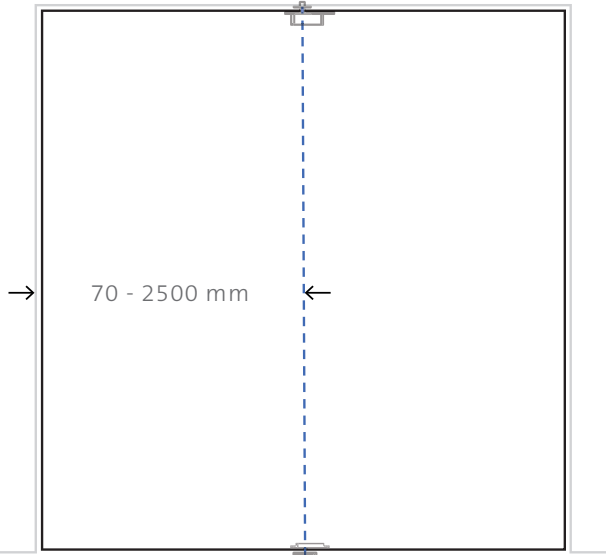
→ page 15



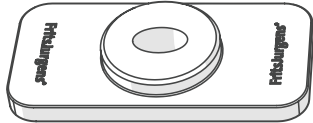
→ page 16

Middle placement

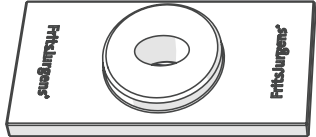
System One 70 mm



→ page 19



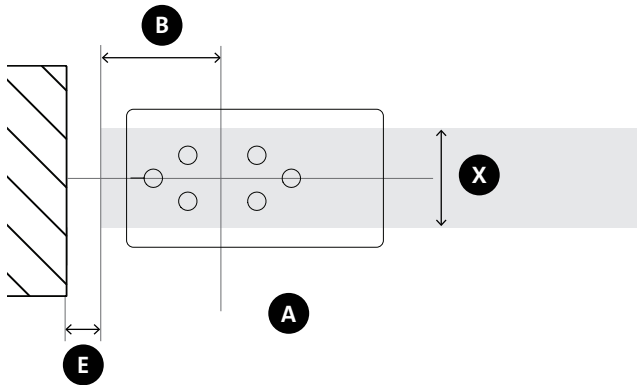
→ page 15



→ page 16

MOUNTING

1 Determine the position of pivot point **A** on the floor. Use the fitting template and the table below.



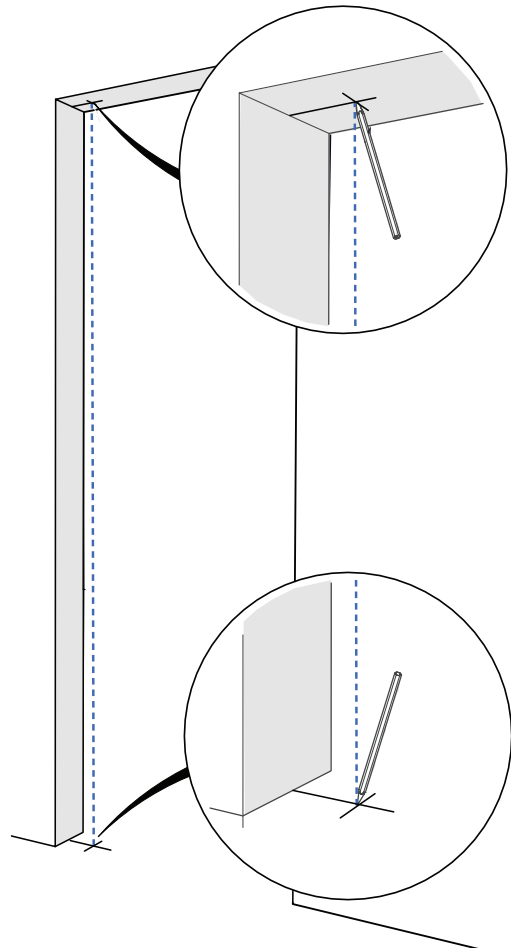
	40	50	60	70	80	90	100	X
B								
40	2	2	2	2	3	3	3	
70	5	6	10	10	13	15	18	
91	4	5	7	9	10	12	15	
250	3	3	4	4	5	6	7	
500	2	3	3	3	4	4	5	
1000	2	2	3	3	3	3	3	
1500	2	2	2	2	2	3	3	
2000	2	2	2	2	2	2	3	E

E Minimum gap between door and wall (mm)

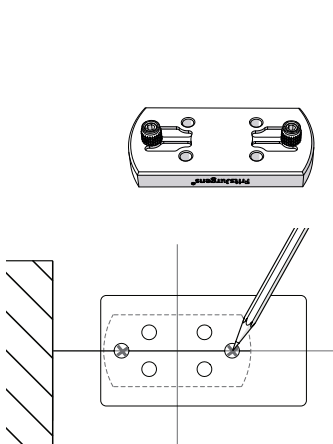
B Distance pivot point to door edge (mm)

X Door thickness (mm)

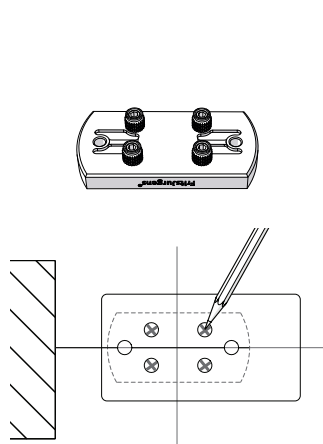
2 Mark pivot point **A** on the floor and on the ceiling.



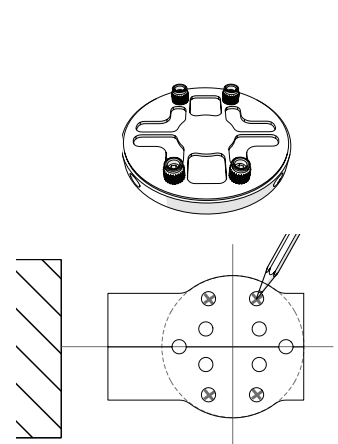
3 Mark the drilling holes on the floor. Use the fitting template.



Floor plate squared NA or Squared Black, one floor type

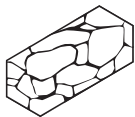


Floor plate squared NA or Squared Black, one or two floor types

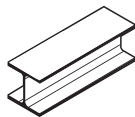


Floor plate round, one or two floor types

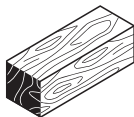
4 Select the correct drill bit for the floor and determine the drilling depth.



Ø8 mm
(5/16 ")



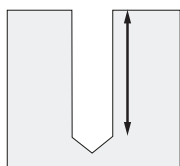
Ø8 mm
(5/16 ")



Ø7.5 mm
(19/64 ")

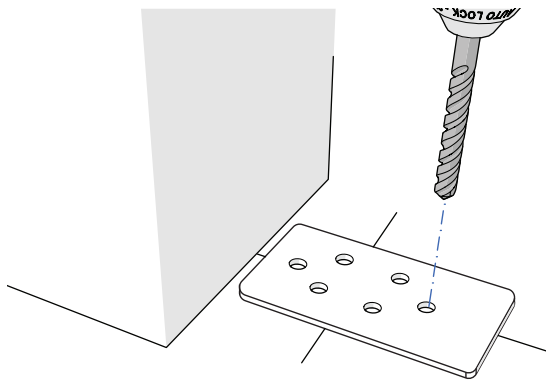


8 mm
(5/16 ")

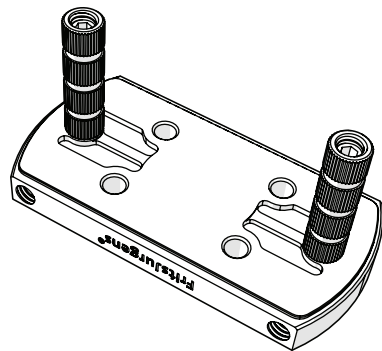
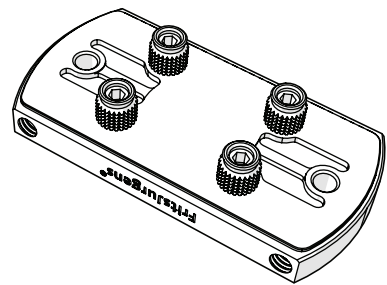
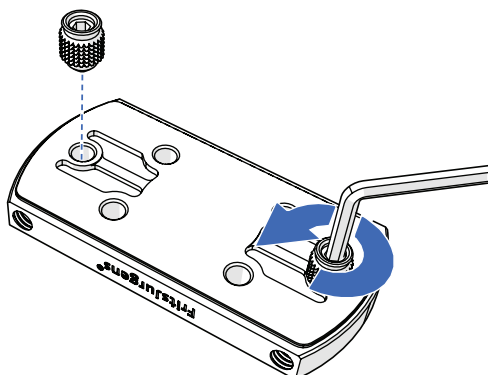


30 mm
(1 3/16 ")

5 Drill the holes in the floor on the marked spots.

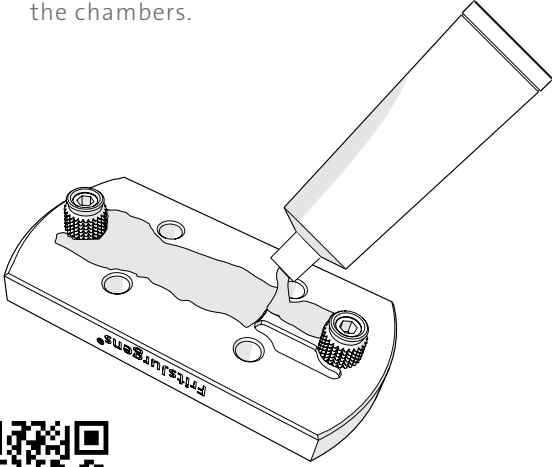


6 Determine the pin configuration for your situation. If necessary, use Allen key 3 to unmount the pre-installed pins and install the correct configuration.



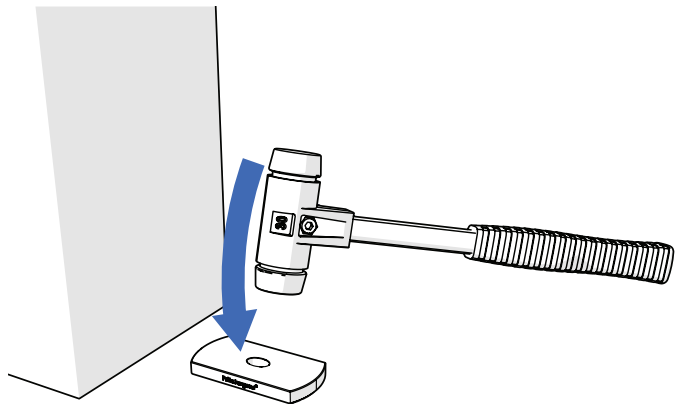
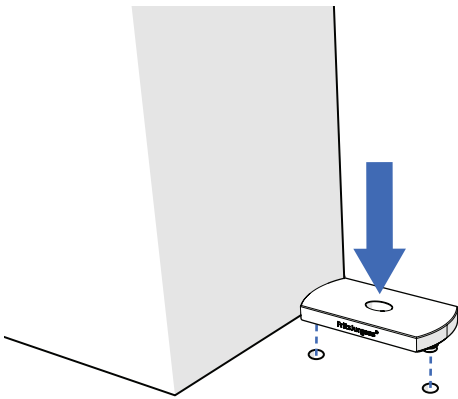
MOUNTING

- 7 Fill the glue chambers in the floor plate with glue and apply a 1 mm layer of glue in between the chambers.

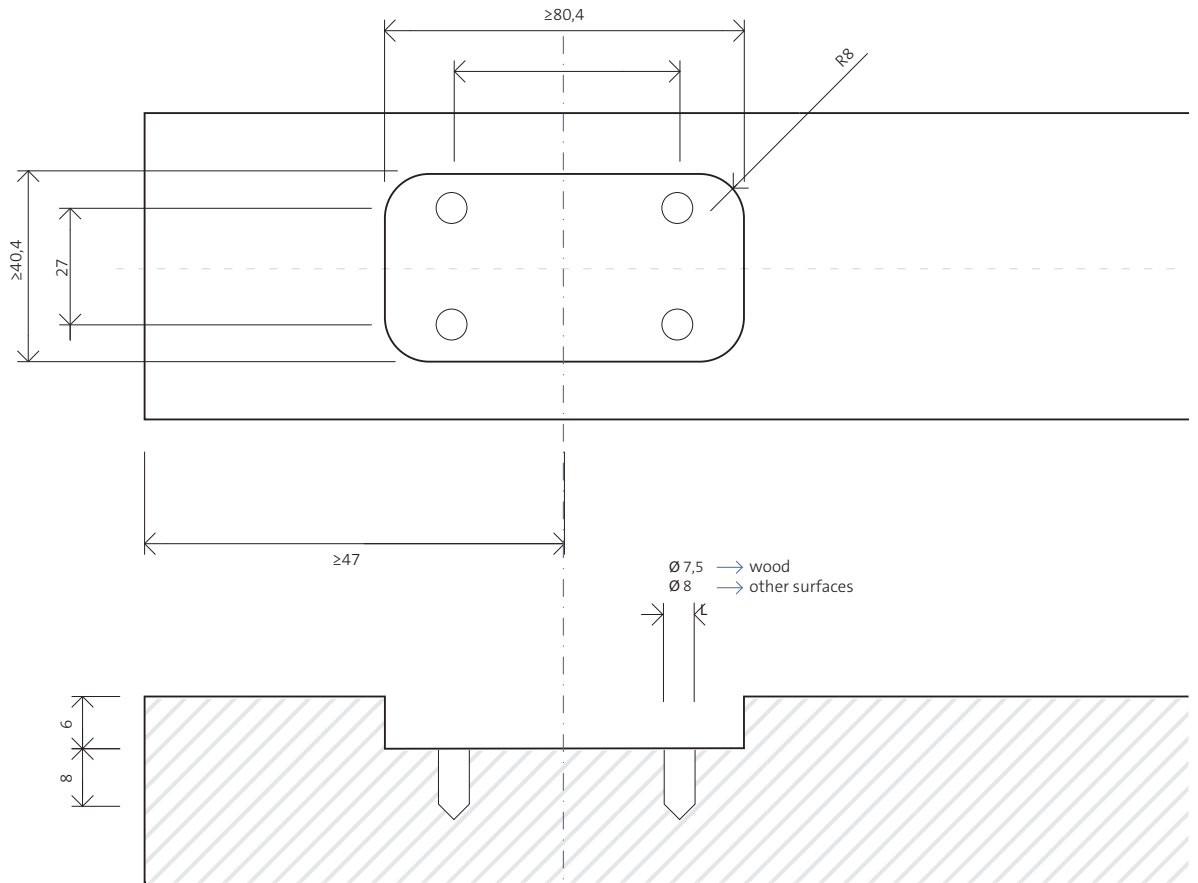


* Scan the QR code for information about drying time and glue specifications.

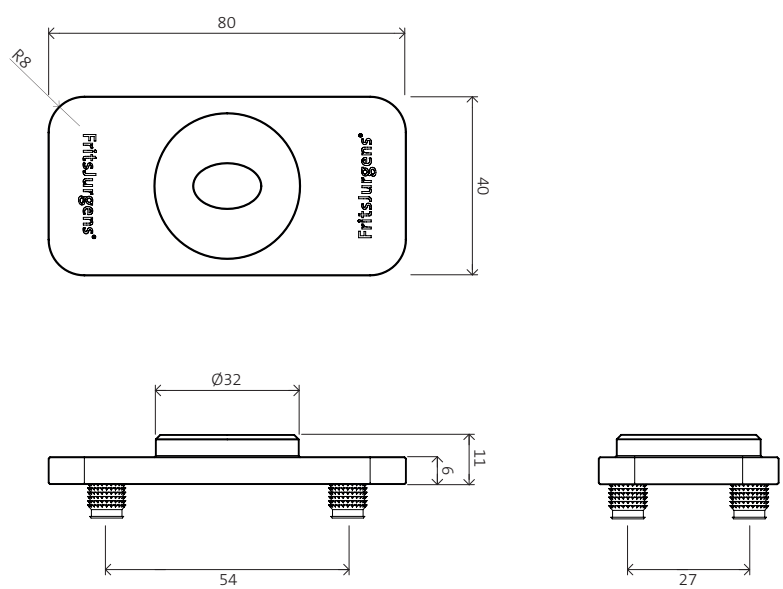
- 9 Use a rubber hammer to affix the floor plate.



FLOOR PLATE FLUSH ROUNDED PREPARING THE FLOOR OR SILL



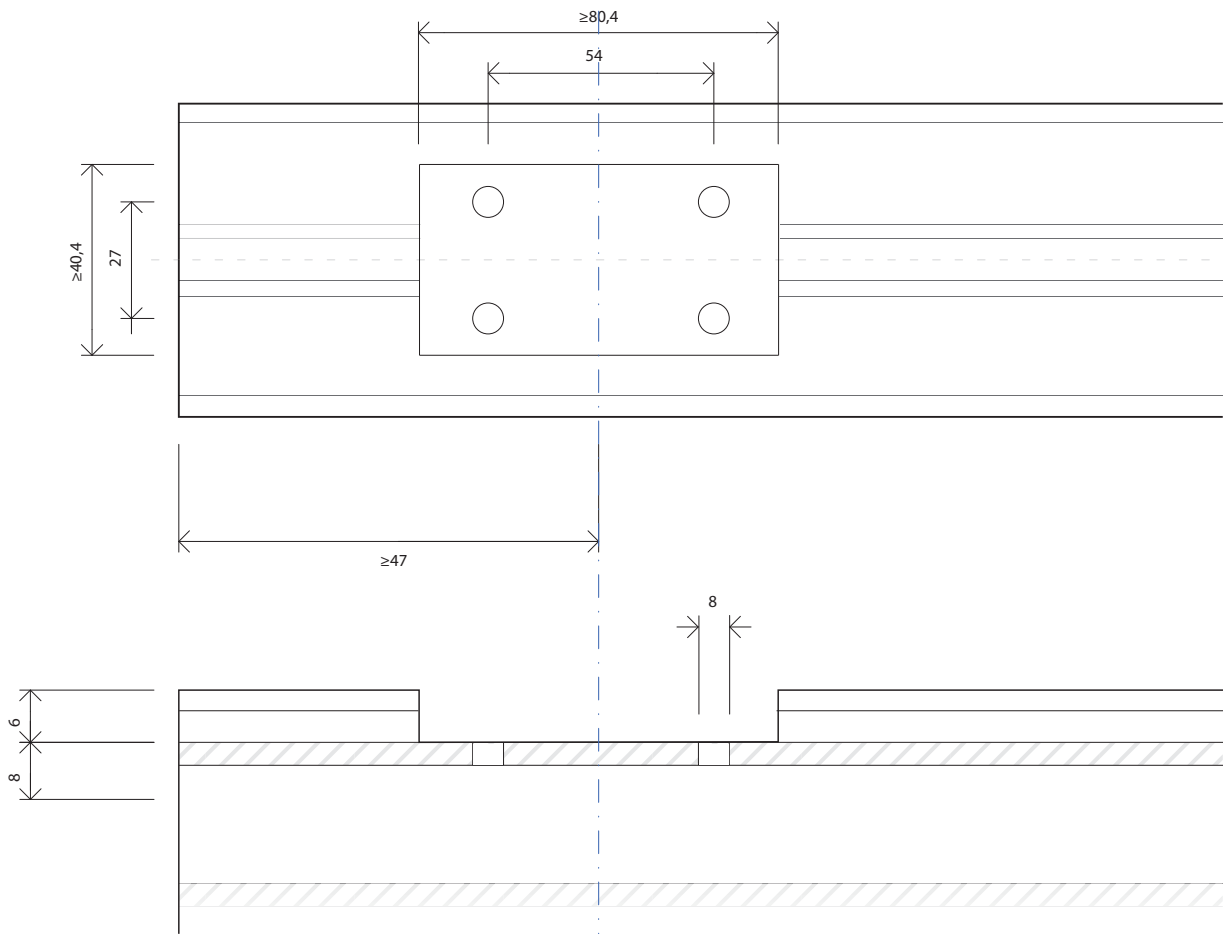
DIMENSIONS



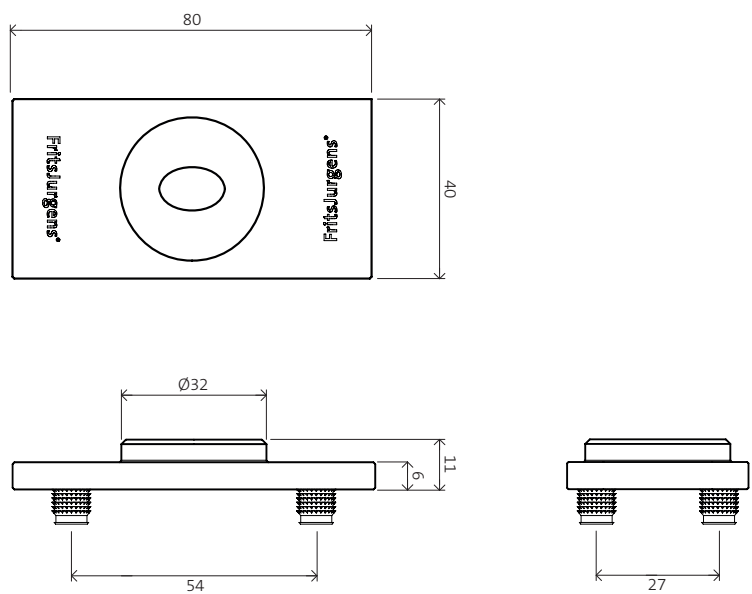
- Side placement: follow steps 7, 8 and 9 on page **14**
- Middle placement: follow steps 7, 8 and 9 on page **20**

MOUNTING

FLOOR PLATE FLUSH SQUARED PREPARING THE FLOOR OR SILL



DIMENSIONS




- Side placement: follow steps 7, 8 and 9 on page **14**
- Middle placement: follow steps 7, 8 and 9 on page **20**


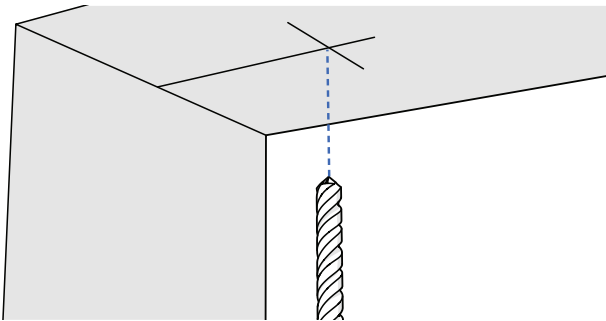
CEILING PLATE

1 Drill a hole for the ceiling plate.

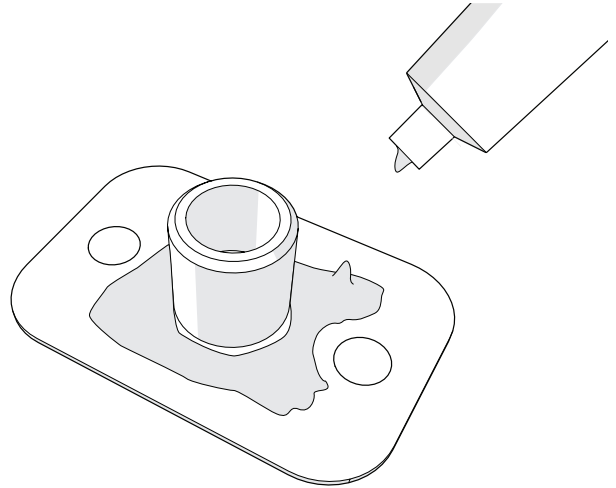
ceiling plate 20 mm \varnothing 20 mm
15 mm (25/32 ") (25/32 ")



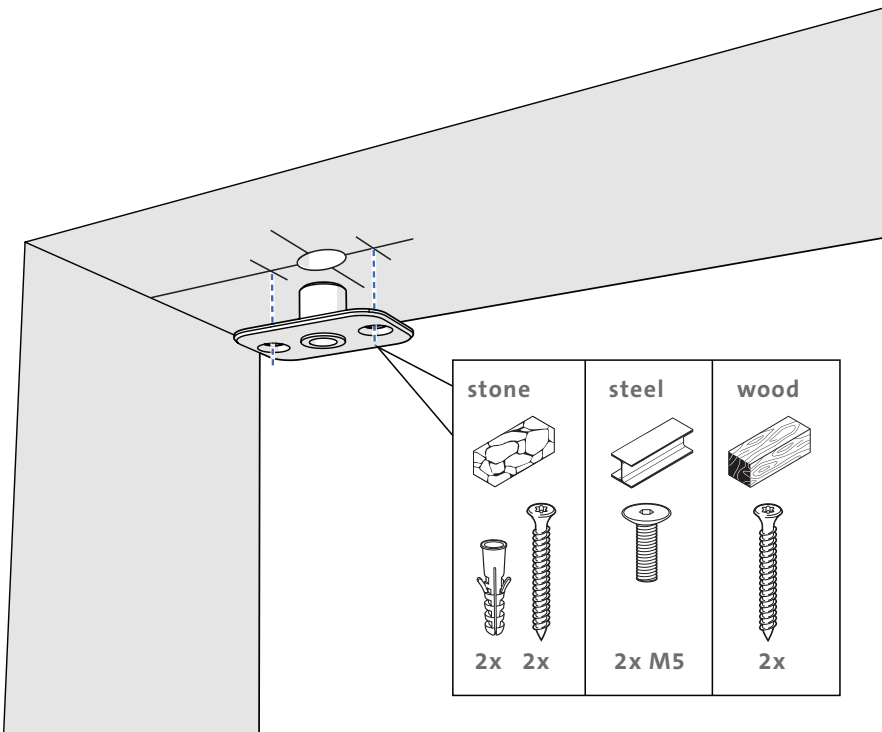
ceiling plate \varnothing 20 mm
Cable (25/32 ")
Grommet

2 Apply a 1 mm thick layer of glue to the ceiling plate.



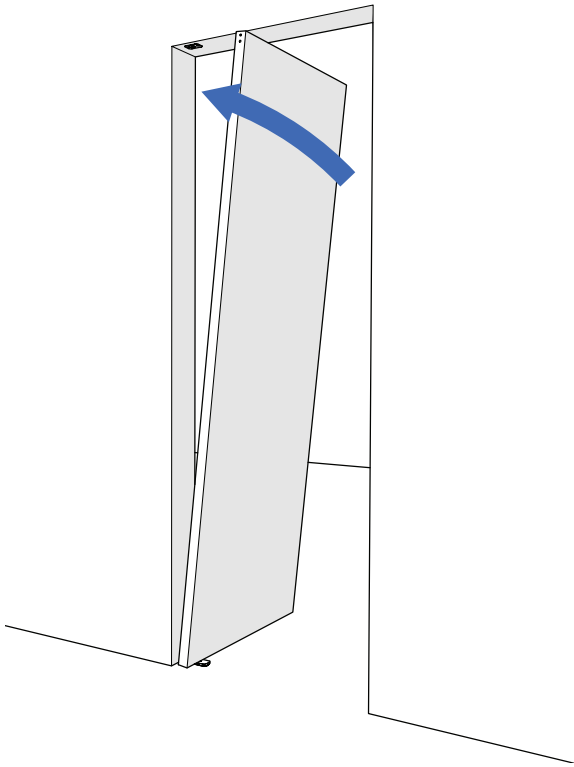
3 Affix the ceiling plate.



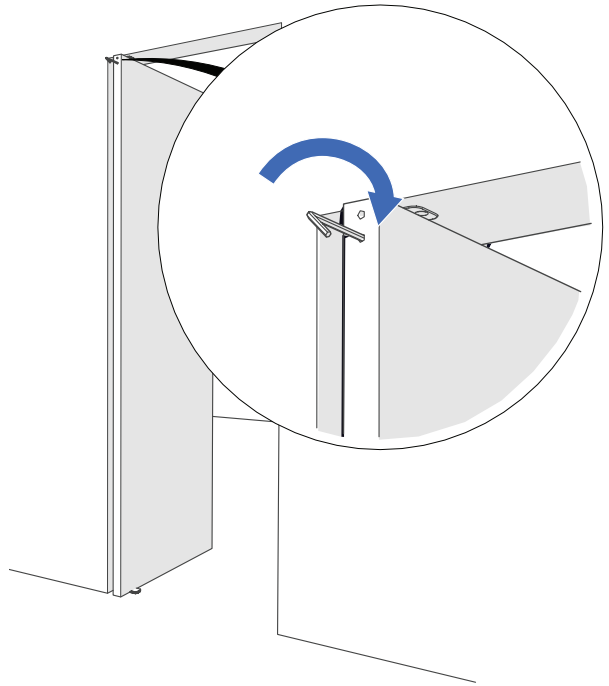
MOUNTING

DOOR

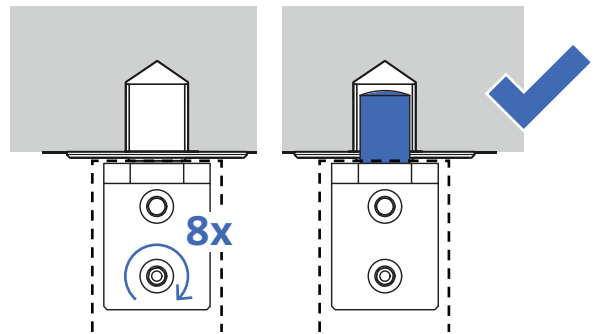
1 Position the door on the floor plate. Make sure the bottom cam is positioned in the elliptical hole in the floor plate. Align the door with the ceiling plate.



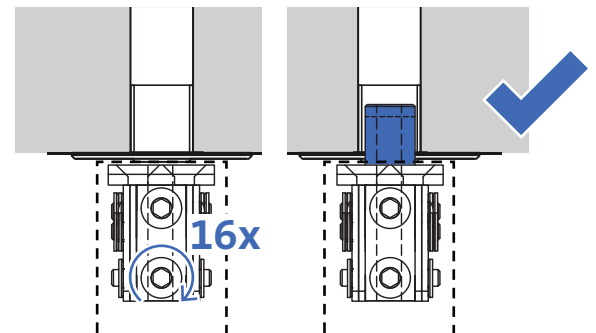
2 Extend the pivot with Allen key 5 or use the Hexagon Guide (page 8, item 6.2).



Top pivot 70 mm → Turn the key **8** times.



Top pivot Cable Grommet → Turn the key **16** times.

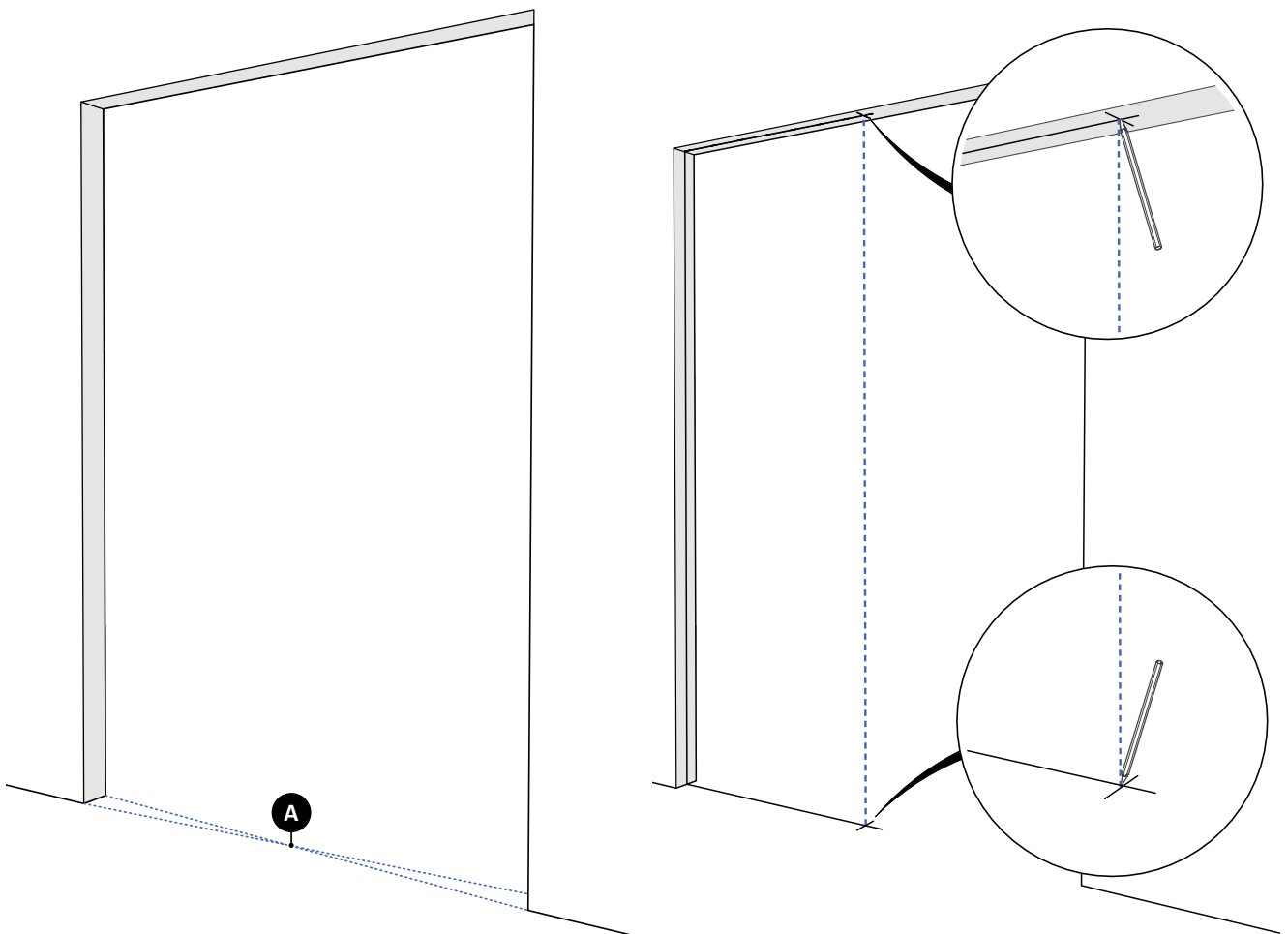


→ continue on page **23**

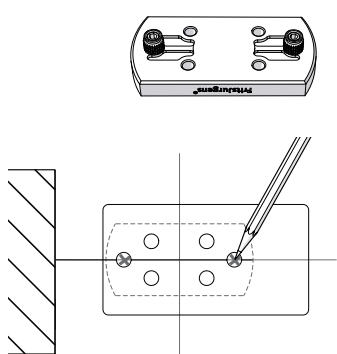
FLOOR PLATE

1 Determine the position of pivot point **A** in the middle of the door frame on the floor.

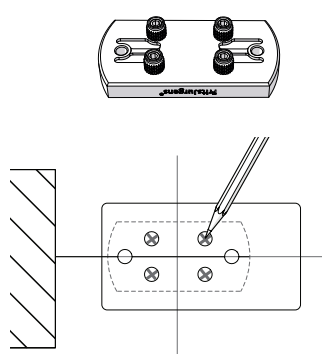
2 Mark pivot point **A** on the floor and on the ceiling.



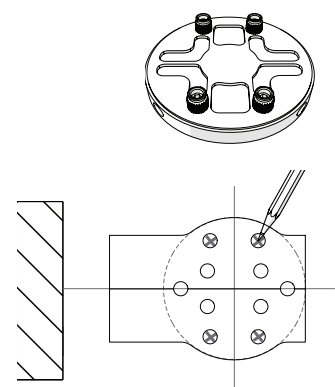
3 Mark the drilling holes on the floor. Use the fitting template.



Floor plate squared NA or Squared Black, one floor type



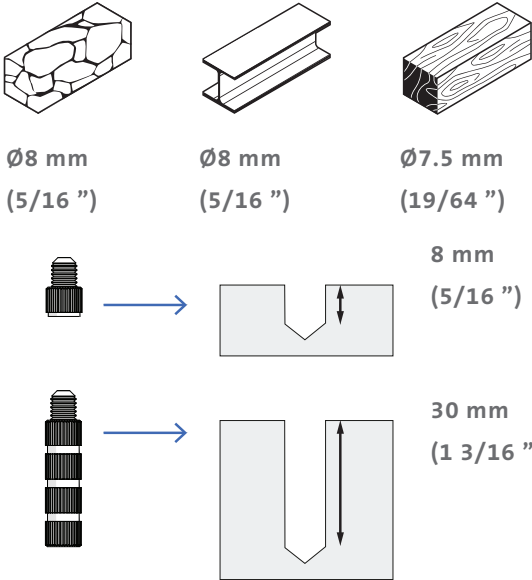
Floor plate squared NA or Squared Black, one or two floor types



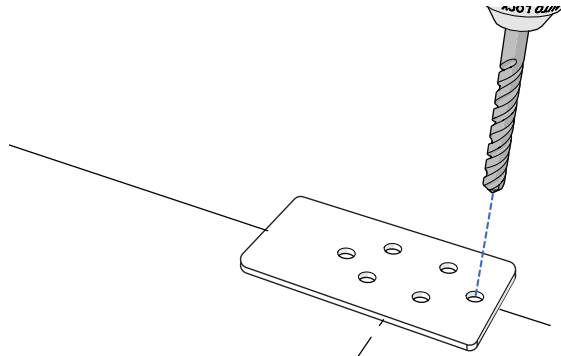
Floor plate round, one or two floor types

MOUNTING

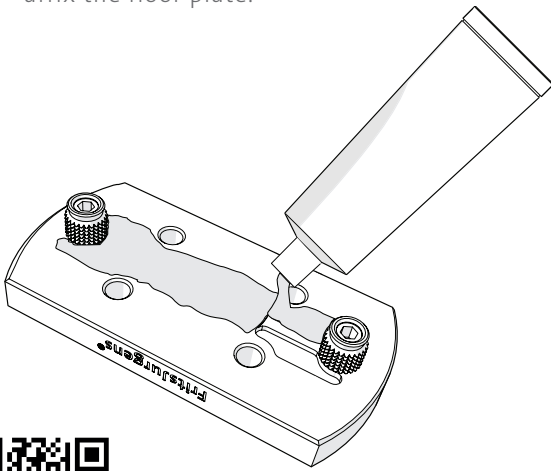
- 4 Select the correct drill bit for the floor and determine the drilling depth.



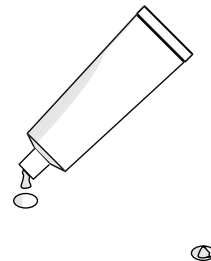
- 5 Drill the holes in the floor on the marked spots.



- 6 Apply a 1 mm thick layer of glue to the floor plate. Make sure the glue does not overflow when you affix the floor plate.

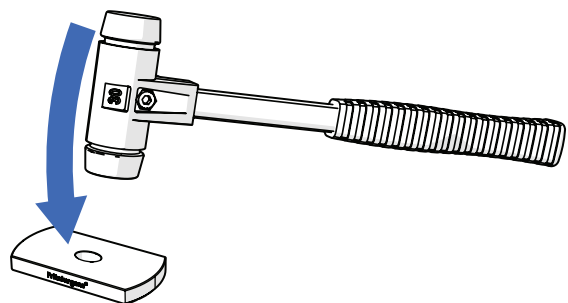
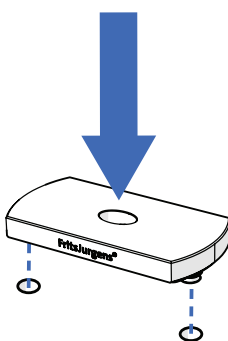


- 7 Add glue in the holes in the floor. Make sure the holes don't overflow when you place the floor plate.



* Scan the QR code for information about drying time and glue specifications.

- 8 Use a rubber mallet to affix the floor plate.



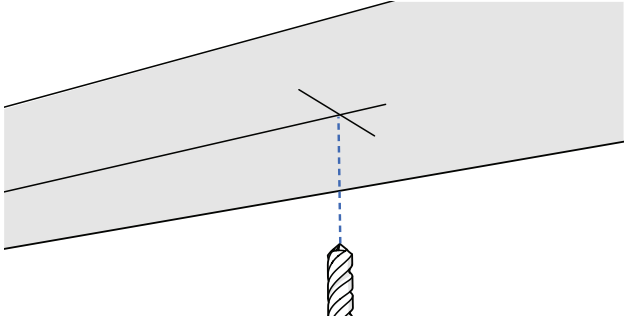
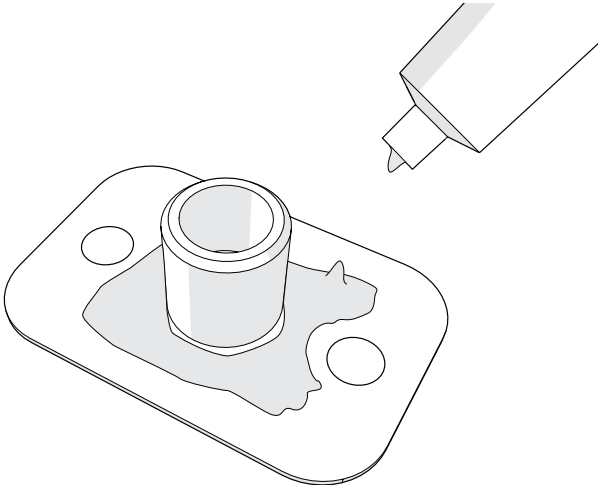
CEILING PLATE

1 Drill a hole for the ceiling plate.

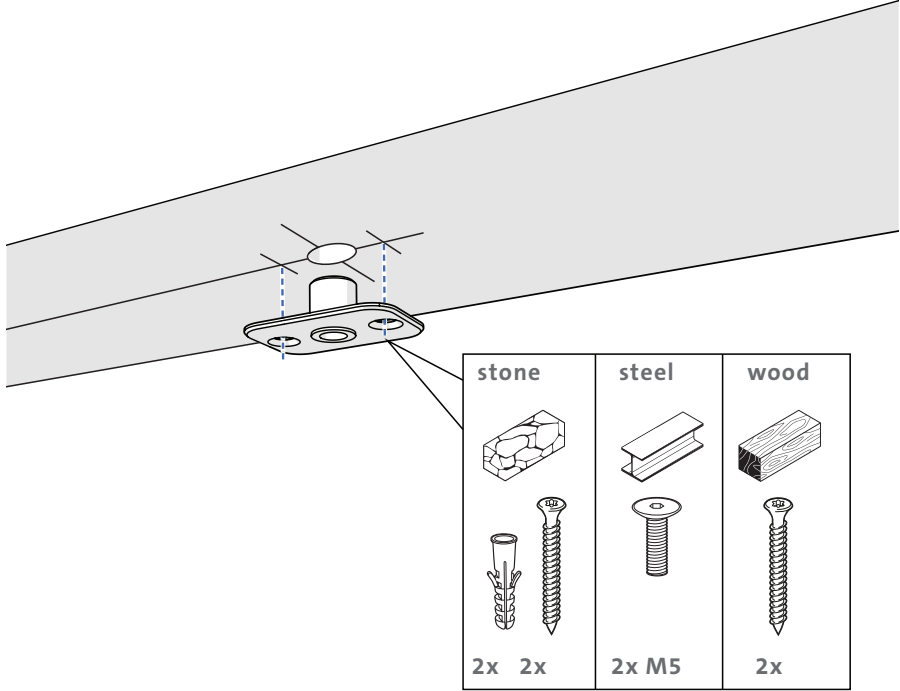
ceiling plate 20 mm \varnothing 20 mm
15 mm (25/32 ") (25/32 ")

ceiling plate \varnothing 20 mm
Cable (25/32 ")
Grommet

2 Apply a 1 mm thick layer of glue to the ceiling plate.



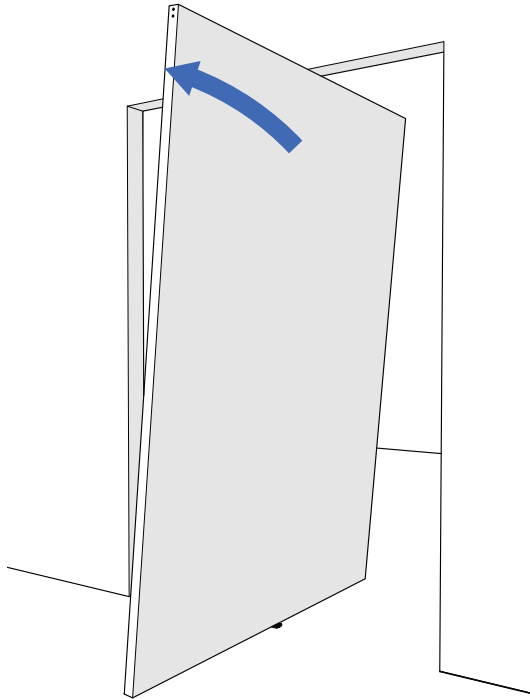
3 Affix the ceiling plate.



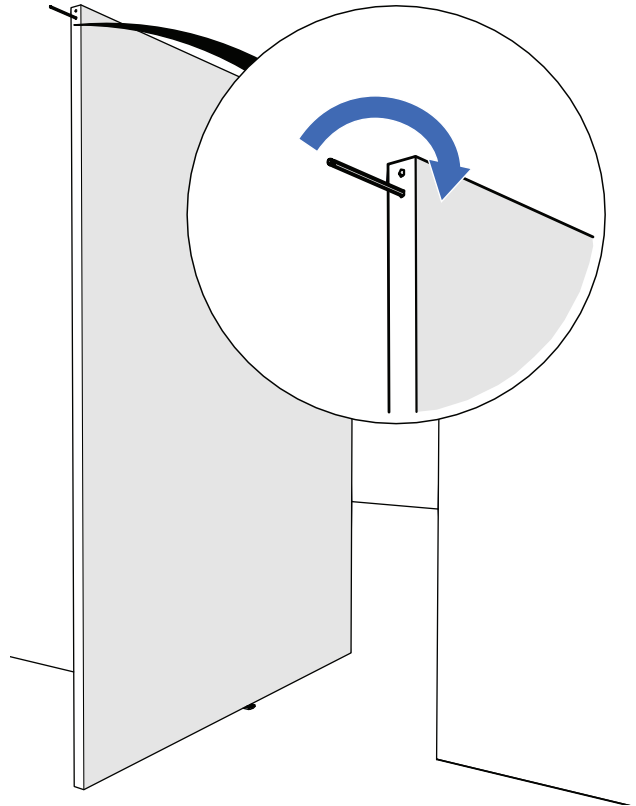
MOUNTING

DOOR

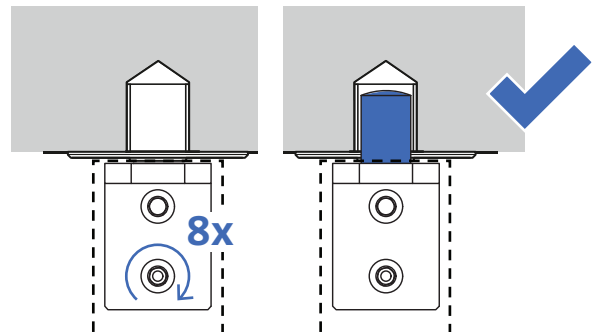
1 Position the door on the floor plate. Make sure the bottom cam is positioned in the elliptical hole in the floor plate. Align the door with the ceiling plate.



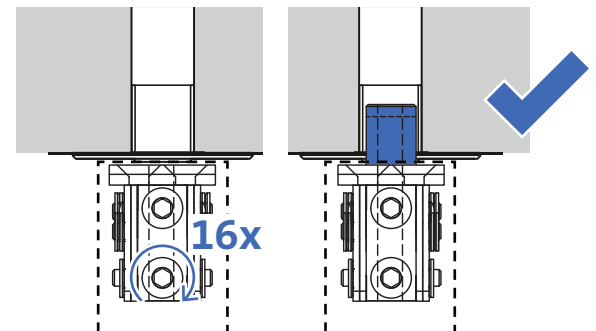
2 Extend the pivot with the Hexagon Guide (page 8, item 6.2).



Top pivot 70 mm → Turn the key **8** times.



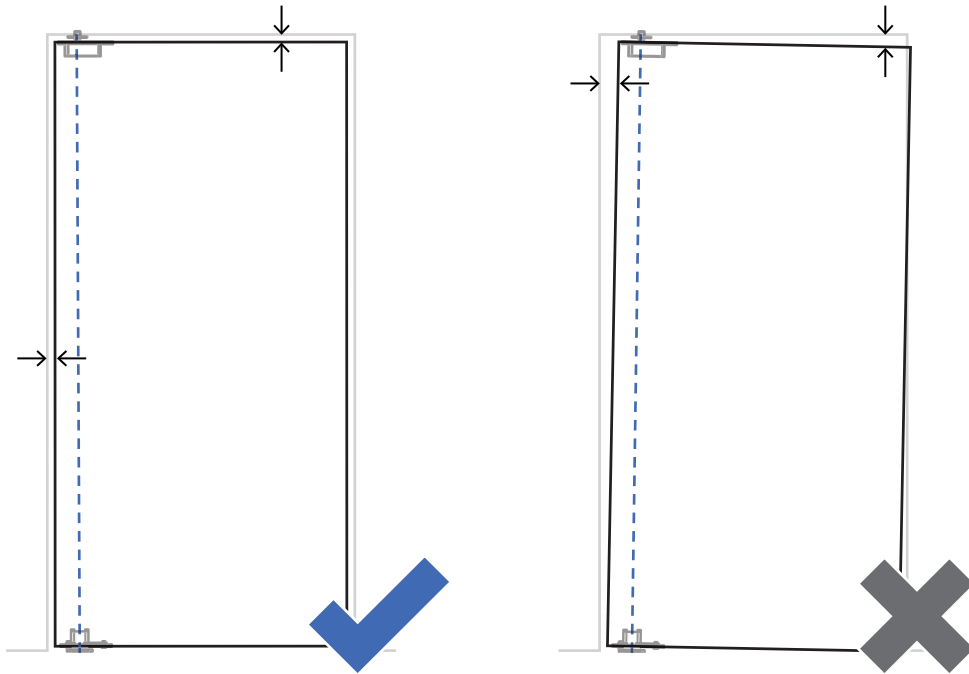
Top pivot Cable Grommet → Turn the key **16** times.



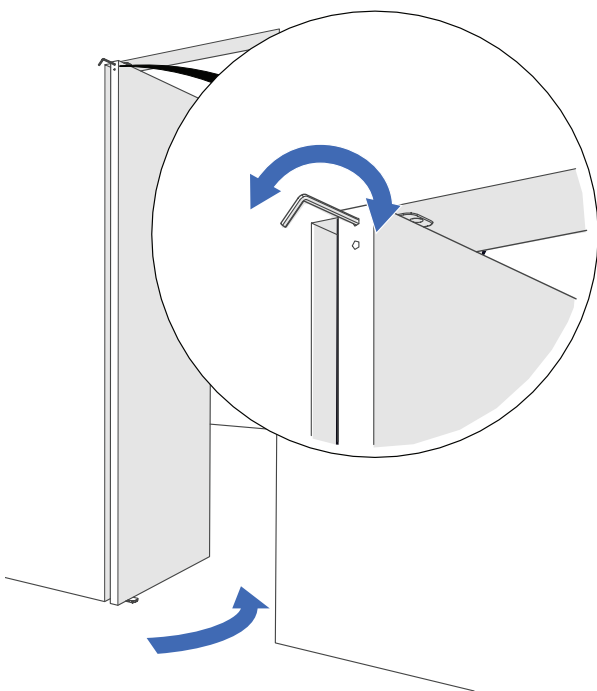
SIDE PLACEMENT AND MIDDLE PLACEMENT

FINE-TUNING THE CLOSING SEAM

- 1 Check if the door is aligned parallel to the ceiling and the wall.



- 2 Open the door. Use Allen key 5 or the hexagon (page 12, item 6.2) until the door is aligned parallel to the ceiling and the wall.



FritsJurgens®

FRITSJURGENS INTERNATIONAL

A. Einsteinlaan 1
9615 TE Kolham
The Netherlands
+31 598 343 410
info@fritsjurgens.com

FRITSJURGENS ITALIA (COMMERCIAL OFFICE)

Via Marsilio Ficino 22
50132 Firenze
Italy
+39 055 064 0290
info@fritsjurgens.com

FRITSJURGENS CONSULTING FZE (REGIONAL SALES OFFICE)

Premises No. HD67
Floor 25
Sheikh Rashid Tower
Dubai World Trade Centre
Dubai UAE

FJ.IN.TP-R.EN.2022

Copyright © FritsJurgens®

13-02-2023



8 720681 618821 >