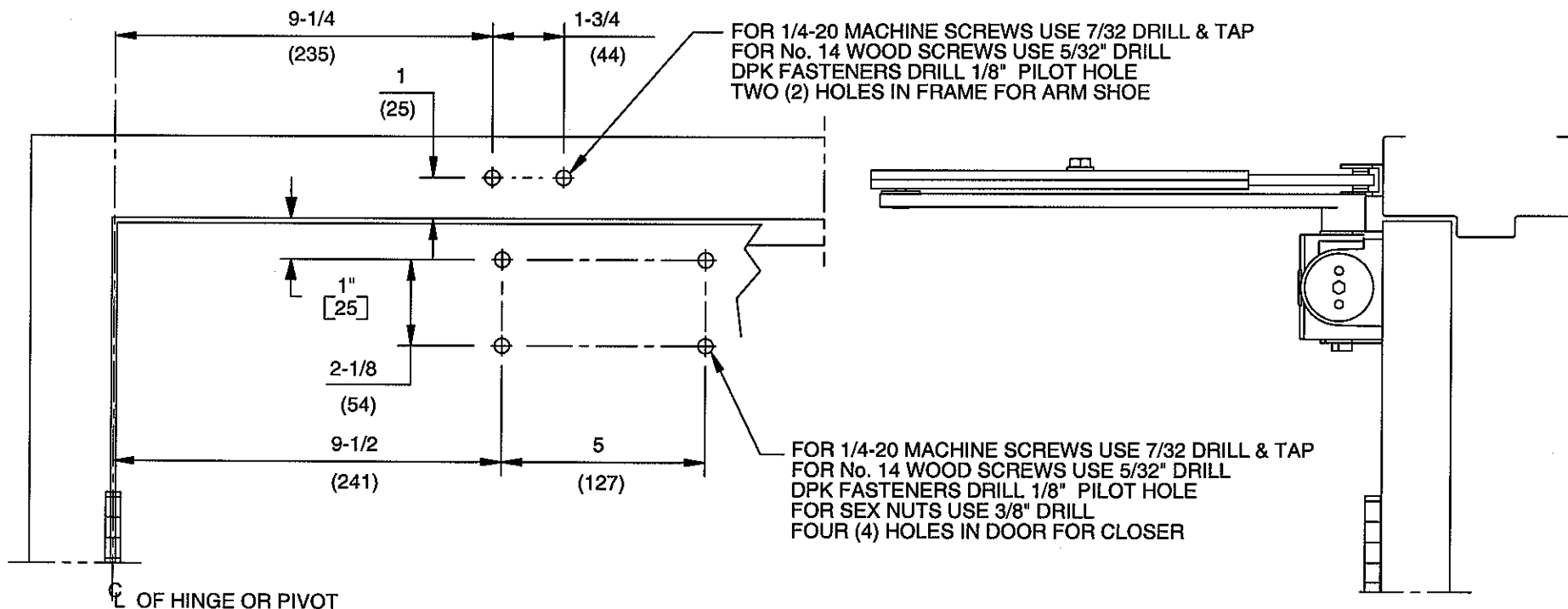


NOTES:

1. DO NOT SCALE DRAWING.
2. RIGHT HAND DOOR SHOWN.
3. DIMENSIONS ARE IN INCHES/(MM).
4. CAUTION: SEX NUTS ARE REQUIRED FOR ATTACHMENT OF COMPONENTS TO UNREINFORCED DOORS AND TO WOOD OR PLASTIC FACED COMPOSITE TYPE FIRE DOORS, UNLESS AN ALTERNATIVE METHOD IS IDENTIFIED IN THE INDIVIDUAL DOOR MANUFACTURER'S LISTINGS.
5. MAXIMUM OPENING 180°. (ALLOW CLEARANCE FOR CLOSER COVER)
6. SEE CATALOG FOR HOLD OPEN RANGE.
7. OPTIONAL DPK FASTENERS (DPK89) FOR STEEL DOOR & FRAME ONLY.



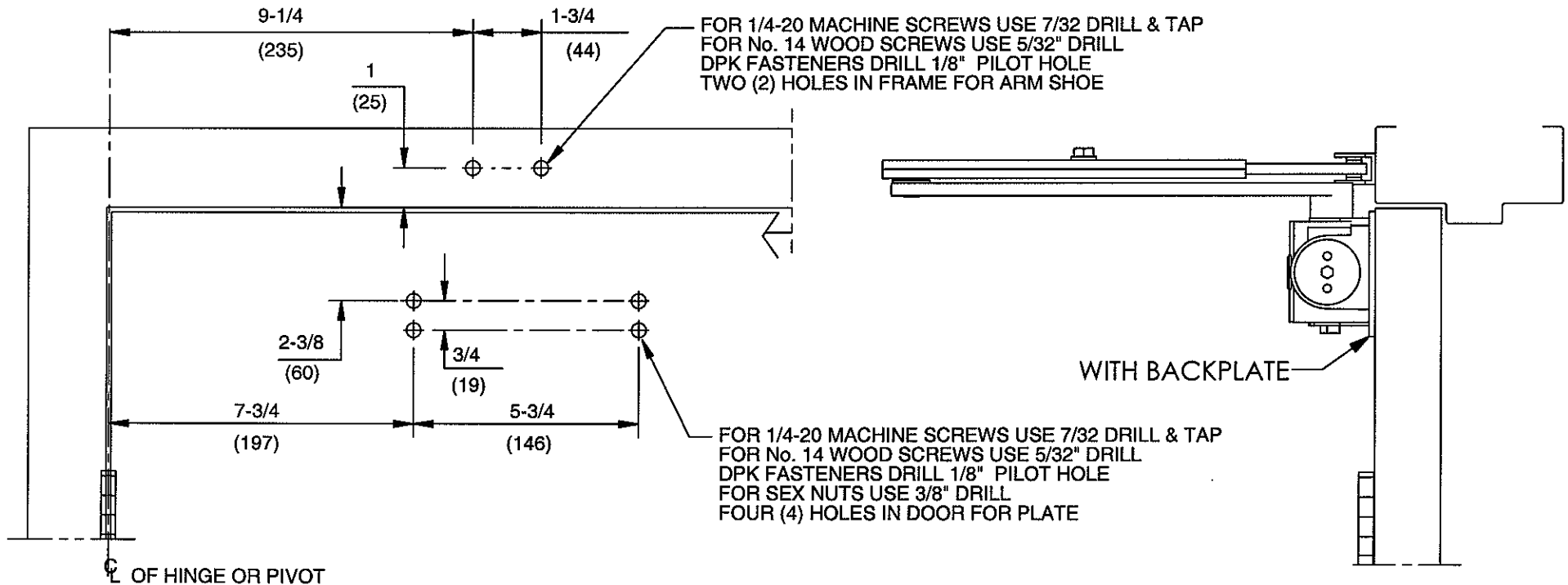
DOOR CLOSER MODELS: 8916, 8956 AF89, PH
REGULAR INSTALLATION (PULL SIDE MOUNT)



DORMA Door Controls
Reamstown, PA 17567

NOTES:

1. DO NOT SCALE DRAWING.
2. RIGHT HAND DOOR SHOWN.
3. DIMENSIONS ARE IN INCHES/(MM).
4. CAUTION: SEX NUTS ARE REQUIRED FOR ATTACHMENT OF COMPONENTS TO UNREINFORCED DOORS AND TO WOOD OR PLASTIC FACED COMPOSITE TYPE FIRE DOORS, UNLESS AN ALTERNATIVE METHOD IS IDENTIFIED IN THE INDIVIDUAL DOOR MANUFACTURER'S LISTINGS.
5. MAXIMUM OPENING 180°. (ALLOW CLEARANCE FOR CLOSER COVER)
6. SEE CATALOG FOR HOLD OPEN RANGE.
7. OPTIONAL DPK FASTENERS (DPK89) FOR STEEL DOOR & FRAME ONLY.



DOOR CLOSER MODELS: 8916, 8956 AF89, PH
 REGULAR INSTALLATION (PULL SIDE MOUNT)
 WITH PLATE BP89



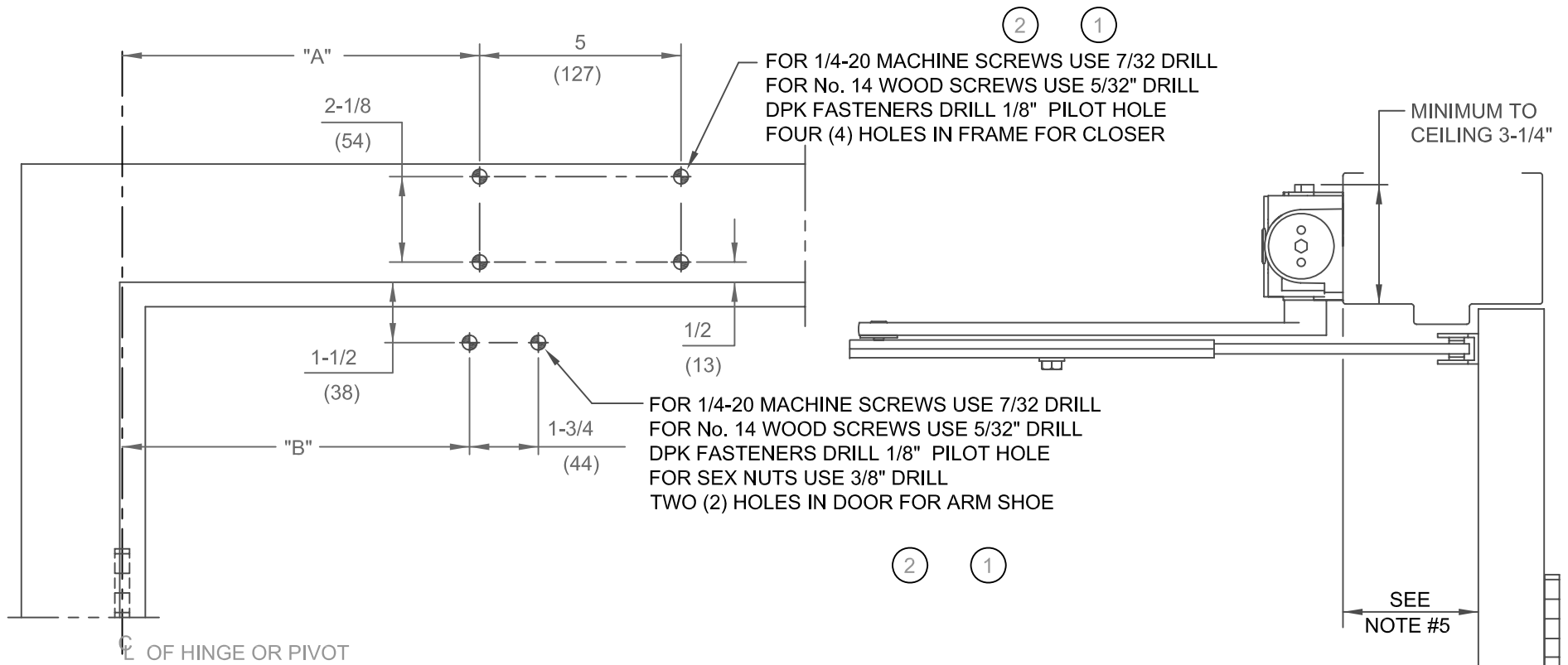
DORMA Door Controls
 Reamstown, PA 17567

NOTES:

1. DO NOT SCALE DRAWING.
2. LEFT HAND DOOR SHOWN.
3. DIMENSIONS ARE IN INCHES/(MM).
4. CAUTION: SEX NUTS ARE REQUIRED FOR ATTACHMENT OF COMPONENTS TO UNREINFORCED DOORS AND TO WOOD OR PLASTIC FACED COMPOSITE TYPE FIRE DOORS, UNLESS AN ALTERNATIVE METHOD IS IDENTIFIED IN THE INDIVIDUAL DOOR MANUFACTURER'S LISTINGS.
5. SEE CATALOG FOR REVEAL INFORMATION.
6. MAXIMUM OPENING 180°.
7. SEE CATALOG FOR HOLD OPEN RANGE.

No.	REVISIONS	DATE
2	ADDED DPK FASTENERS	6/21/05
3	CHANGED TITLE BLOCK	1/09/03

ANGLE OF OPENING	DIM. "A" CLOSER	DIM. "B" ARM SHOE
TO 100°	$\frac{12-7}{8}$ (327)	$\frac{12-5}{8}$ (321)
OVER 100°	$\frac{8-7}{8}$ (225)	$\frac{8-5}{8}$ (219)



DOOR CLOSER MODELS: 8916, 8956 AF89J, PH, PHP (3)
TOP JAMB INSTALLATION (PUSH SIDE MOUNT)



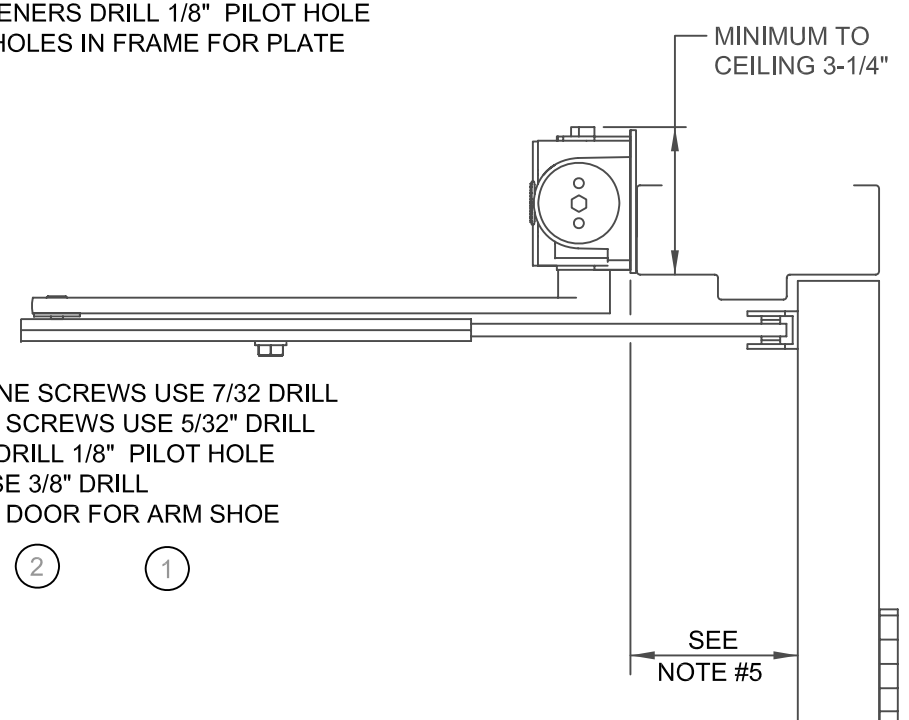
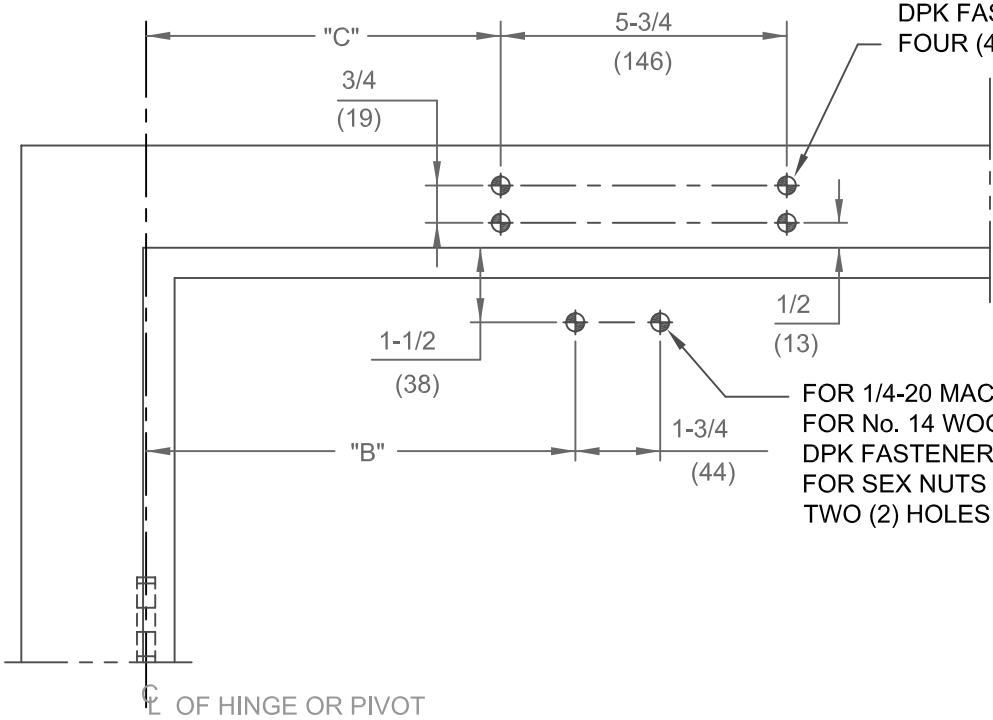
DORMA Architectural Hardware
REAMSTOWN, PENNSYLVANIA 17567
TEMPLATE No. 8900-4 (3)

NOTES:

1. DO NOT SCALE DRAWING.
2. LEFT HAND DOOR SHOWN.
3. DIMENSIONS ARE IN INCHES/(MM).
4. CAUTION: SEX NUTS ARE REQUIRED FOR ATTACHMENT OF COMPONENTS TO UNREINFORCED DOORS AND TO WOOD OR PLASTIC FACED COMPOSITE TYPE FIRE DOORS, UNLESS AN ALTERNATIVE METHOD IS IDENTIFIED IN THE INDIVIDUAL DOOR MANUFACTURER'S LISTINGS.
5. SEE CATALOG FOR REVEAL INFORMATION.
6. MAXIMUM OPENING 180°.
7. SEE CATALOG FOR HOLD OPEN RANGE.

No.	REVISIONS	DATE
2	ADDED DPK FASTENERS	6/21/05
3	CORRECTED TITLE BLOCK	01/09/06

ANGLE OF OPENING	DIM. "B" ARM SHOE	DIM. "C" PLATE
TO 100°	$\frac{12-5/8}{(321)}$	$\frac{11-1/8}{(283)}$
OVER 100°	$\frac{8-5/8}{(219)}$	$\frac{7-1/8}{(181)}$



DOOR CLOSER MODELS: 8916, 8956 AF89J, PH, PHP (3)
 TOP JAMB INSTALLATION (PUSH SIDE MOUNT)
 WITHPLATE BP89



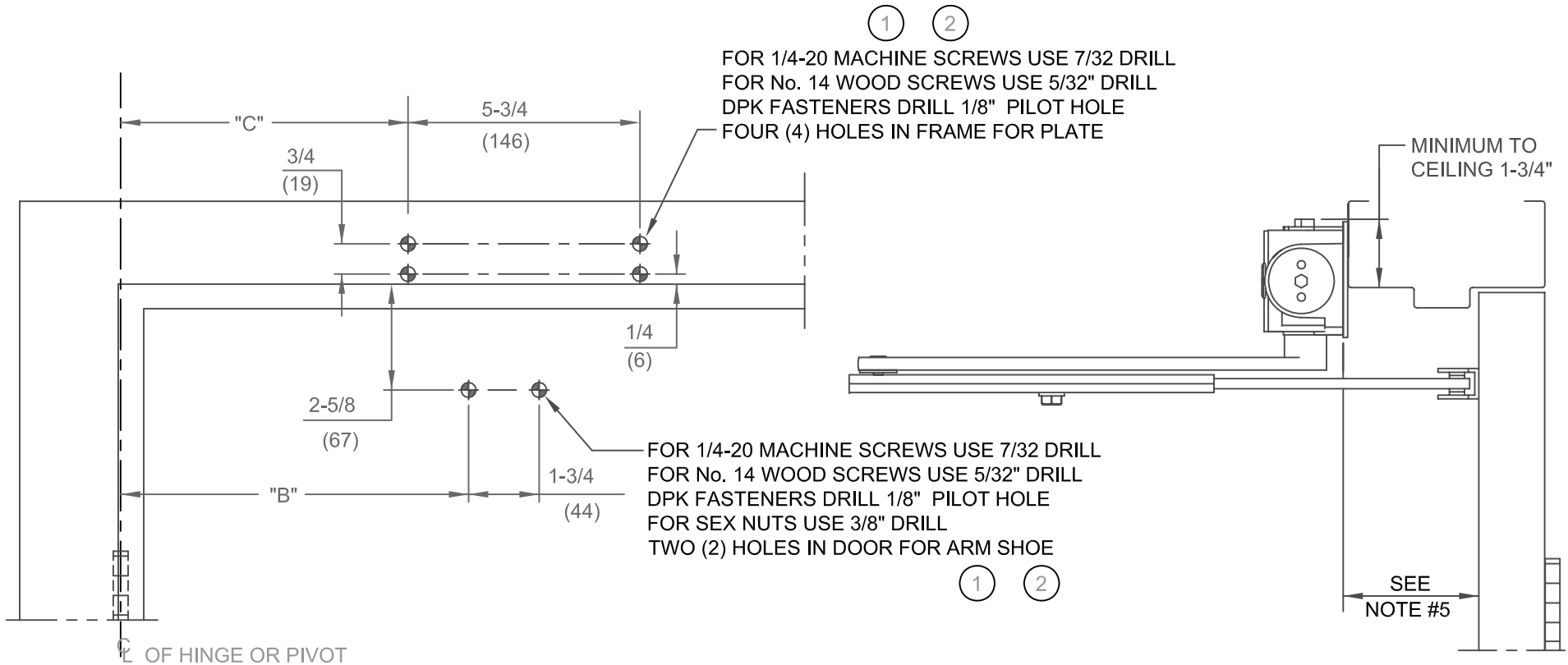
DORMA Architectural Hardware
 REAMSTOWN, PENNSYLVANIA 17567
 TEMPLATE No. 8900-7 (3)

NOTES:

1. DO NOT SCALE DRAWING.
2. LEFT HAND DOOR SHOWN.
3. DIMENSIONS ARE IN INCHES/(MM).
4. CAUTION: SEX NUTS ARE REQUIRED FOR ATTACHMENT OF COMPONENTS TO UNREINFORCED DOORS AND TO WOOD OR PLASTIC FACED COMPOSITE TYPE FIRE DOORS, UNLESS AN ALTERNATIVE METHOD IS IDENTIFIED IN THE INDIVIDUAL DOOR MANUFACTURER'S LISTINGS.
5. SEE CATALOG FOR REVEAL INFORMATION.
6. MAXIMUM OPENING 180°.
7. SEE CATALOG FOR HOLD OPEN RANGE.

No.	REVISIONS	DATE
2	ADDED DPK FASTENERS	6/21/05
3	CORRECTED TITLE BLOCK	01/09/06

ANGLE OF OPENING	DIM. "B" ARM SHOE	DIM. "C" PLATE
TO 100°	$\frac{12-5}{8}$ (321)	$\frac{11-1}{8}$ (283)
OVER 100°	$\frac{8-5}{8}$ (219)	$\frac{7-1}{8}$ (181)

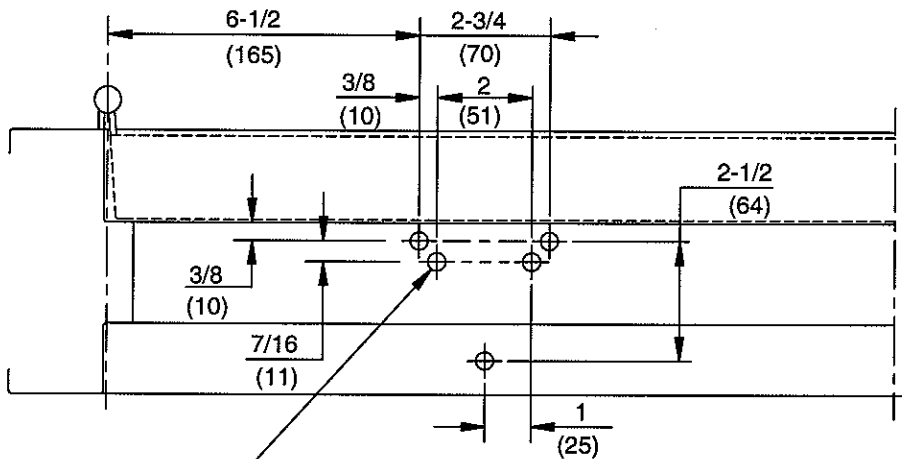


DOOR CLOSER MODELS: 8916, 8956 AF89J, PH, PHP
TOP JAMB INSTALLATION (PUSH SIDE MOUNT)
WITH PLATE BP89 DROP

3



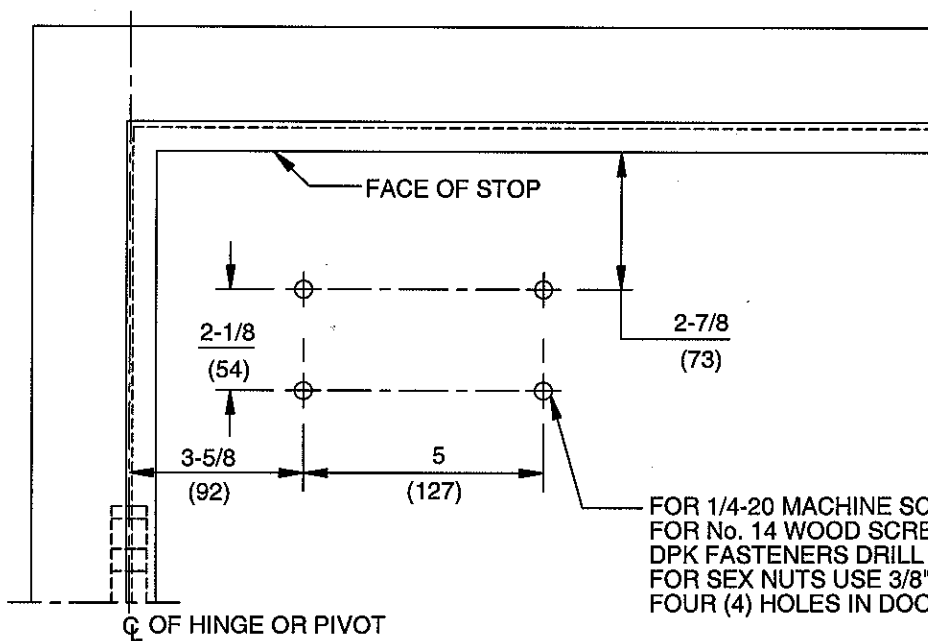
DORMA Architectural Hardware
REAMSTOWN, PENNSYLVANIA 17567
TEMPLATE No. 8900-8 3



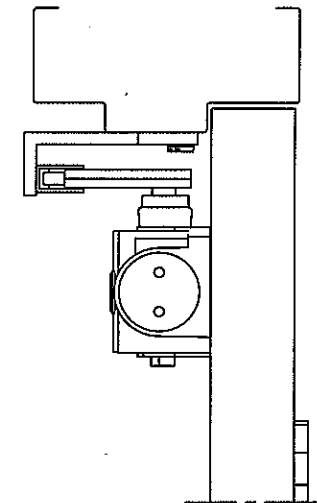
FOR 1/4-20 MACHINE SCREWS USE 7/32" DRILL & TAP
 FOR No. 14 WOOD SCREWS USE 5/32" DRILL
 DPK FASTENERS DRILL 1/8" PILOT HOLE
 FIVE (5) HOLES IN SOFFIT FOR BRACKET

NOTES:

1. DO NOT SCALE DRAWING.
2. LEFT HAND DOOR SHOWN.
3. DIMENSIONS ARE IN INCHES/(MM).
4. CAUTION: SEX NUTS ARE REQUIRED FOR ATTACHMENT OF COMPONENTS TO UNREINFORCED DOORS AND TO WOOD OR PLASTIC FACED COMPOSITE TYPE FIRE DOORS, UNLESS AN ALTERNATIVE METHOD IS IDENTIFIED IN THE INDIVIDUAL DOOR MANUFACTURER'S LISTINGS.
5. MAXIMUM OPENING 180°.
6. SEE CATALOG FOR HOLD OPEN RANGE.
7. OPTIONAL DPK FASTENERS (DPK89) FOR STEEL DOOR & FRAME ONLY.



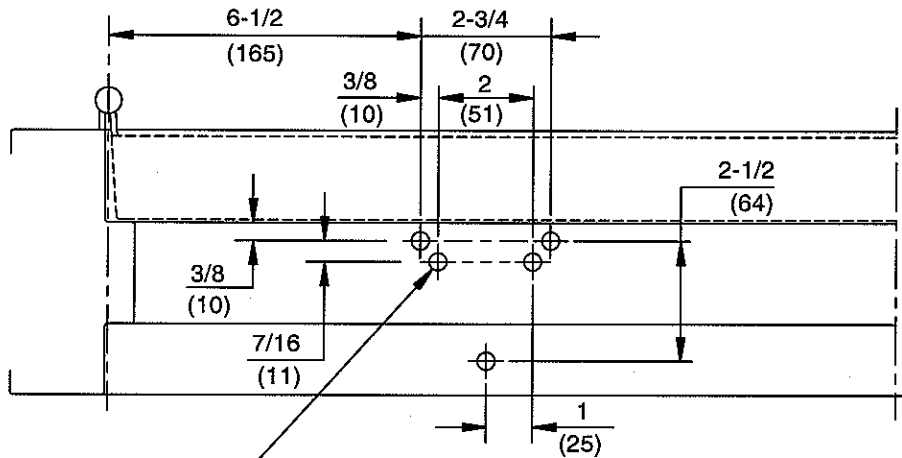
FOR 1/4-20 MACHINE SCREWS USE 7/32" DRILL & TAP
 FOR No. 14 WOOD SCREWS USE 5/32" DRILL
 DPK FASTENERS DRILL 1/8" PILOT HOLE
 FOR SEX NUTS USE 3/8" DRILL
 FOUR (4) HOLES IN DOOR FOR CLOSER



DOOR CLOSER MODELS: 8916, 8956 AF89P, PHP
 PARALLEL ARM INSTALLATION (PUSH SIDE MOUNT)



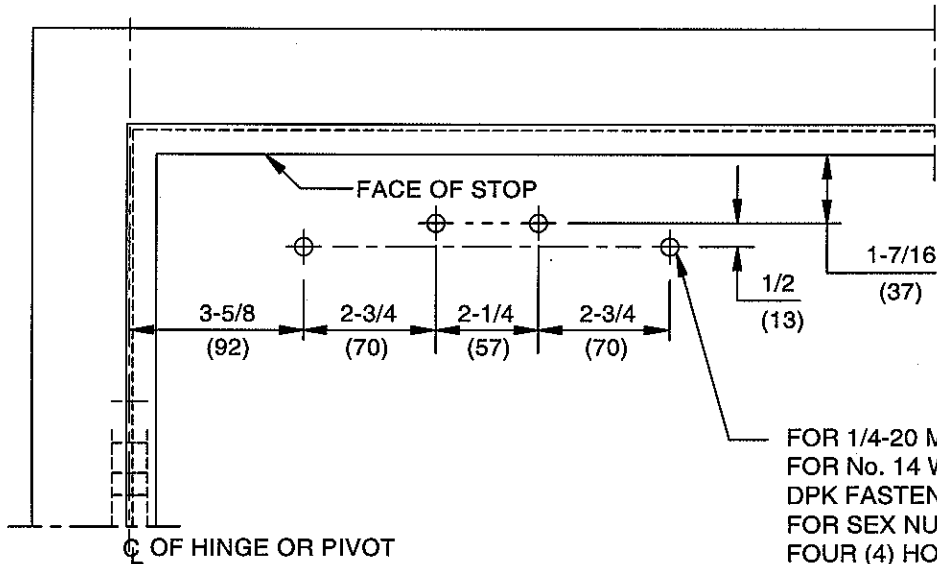
DORMA Door Controls
 Reamstown, PA 17567



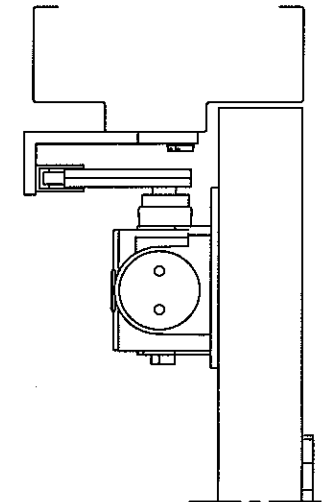
FOR 1/4-20 MACHINE SCREWS USE 7/32" DRILL & TAP
 FOR No. 14 WOOD SCREWS USE 5/32" DRILL
 DPK FASTENERS DRILL 1/8" PILOT HOLE
 FIVE (5) HOLES IN SOFFIT FOR BRACKET

NOTES:

1. DO NOT SCALE DRAWING.
2. LEFT HAND DOOR SHOWN.
3. DIMENSIONS ARE IN INCHES/(MM).
4. CAUTION: SEX NUTS ARE REQUIRED FOR ATTACHMENT OF COMPONENTS TO UNREINFORCED DOORS AND TO WOOD OR PLASTIC FACED COMPOSITE TYPE FIRE DOORS, UNLESS AN ALTERNATIVE METHOD IS IDENTIFIED IN THE INDIVIDUAL DOOR MANUFACTURER'S LISTINGS.
5. MAXIMUM OPENING 180°. SEE CATALOG FOR HOLD OPEN RANGE.
6. **OPTIONAL DPK FASTENERS (DPK89) FOR STEEL DOOR & FRAME ONLY.**



FOR 1/4-20 MACHINE SCREWS USE 7/32" DRILL & TAP
 FOR No. 14 WOOD SCREWS USE 5/32" DRILL
 DPK FASTENERS DRILL 1/8" PILOT HOLE
 FOR SEX NUTS USE 3/8" DRILL
 FOUR (4) HOLES IN DOOR FOR PLATE



DOOR CLOSER MODELS: 8916, 8956 AF89P, PHP
 PARALLEL ARM INSTALLATION (PUSH SIDE MOUNT)
 WITH PLATE DP89



DORMA Door Controls
 Reamstown, PA 17567