

7471HD HEAVY DUTY FLOOR BEARING

3/4" OFFSET, 1-1/2" OFFSET, CENTER HUNG

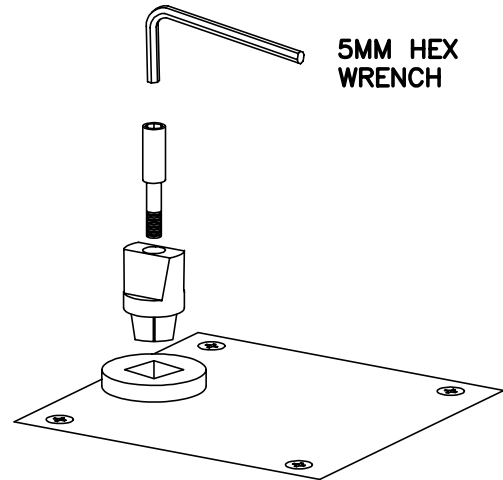


Prepare floor according to template.
 Grout in floor bearing with anchors and attach cover plate.
 Make sure spindle center line is in proper alignment with top pivot.
 Bearing should be grouted in place so that it is square with frame, level in all directions and top of cover plate will be flush with finished floor. For threshold applications, drill a 1-1/4" diameter clearance hole in the threshold coinciding with the spindle location. Top of floor bearing cement case is flush with finished floor line for threshold applications. Anchor floor bearing first, then the threshold in a usual fashion. Attach spindle with spindle screw using 5mm hex wrench.

MODEL No.

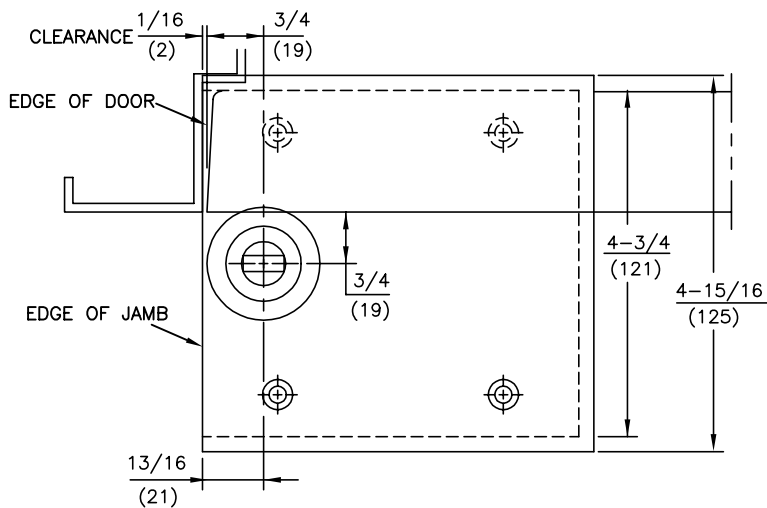
7471HD

FINISH



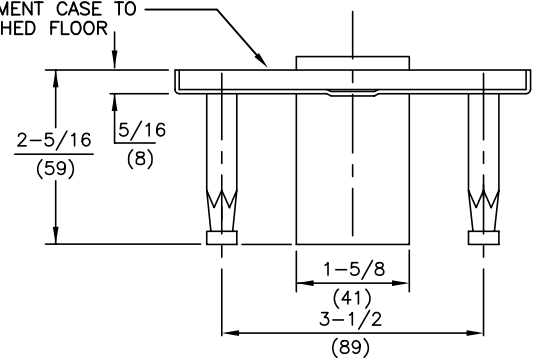
NOTES:

1. DO NOT SCALE DRAWING.
2. DIMENSIONS ARE IN INCHES\MM.
3. RIGHT HAND DOOR SHOWN.



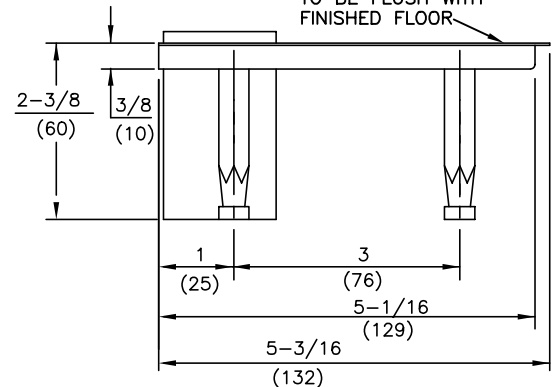
**3/4" OFFSET
 STD. OR LEAD LINED**

TOP SURFACE OF CEMENT CASE TO BE FLUSH WITH FINISHED FLOOR



WITH THRESHOLD

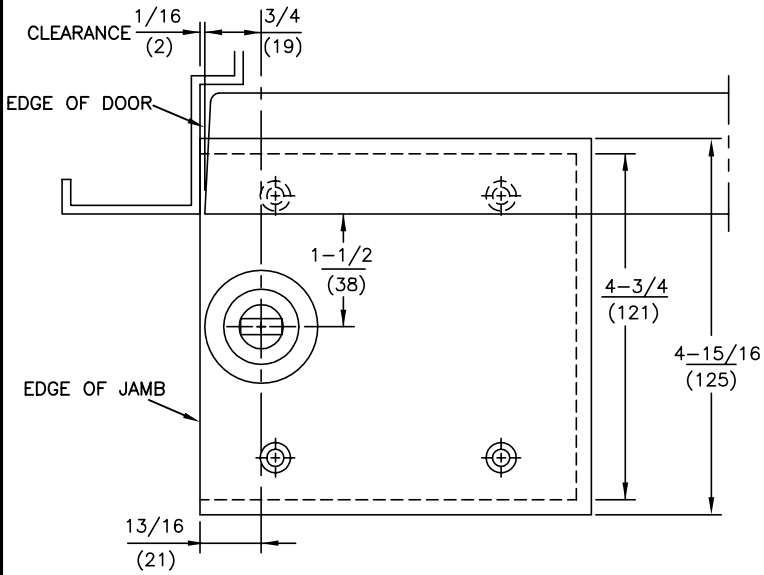
BASE COVER PLATE TO BE FLUSH WITH FINISHED FLOOR



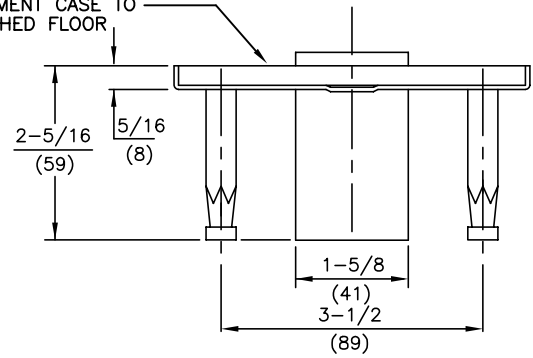
WITHOUT THRESHOLD

NOTES:

1. DO NOT SCALE DRAWING.
2. DIMENSIONS ARE IN INCHES\MM.
3. RIGHT HAND DOOR SHOWN.

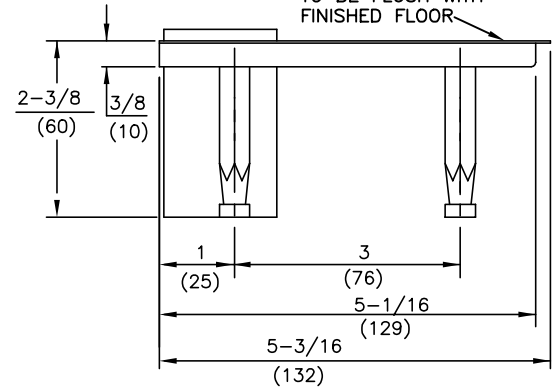


TOP SURFACE OF CEMENT CASE TO BE FLUSH WITH FINISHED FLOOR



WITH THRESHOLD

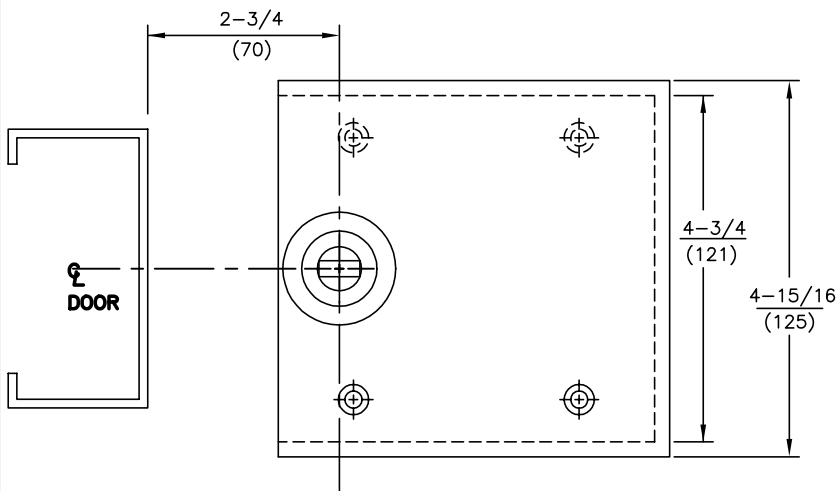
BASE COVER PLATE TO BE FLUSH WITH FINISHED FLOOR



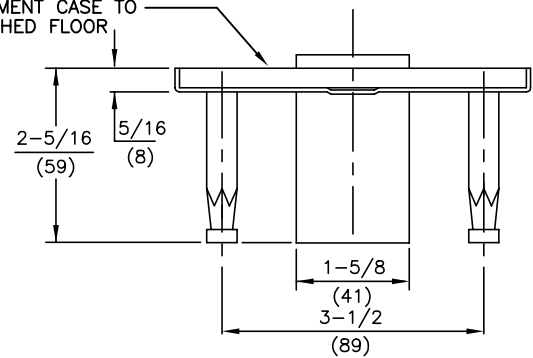
WITHOUT THRESHOLD

NOTES:

1. DO NOT SCALE DRAWING.
2. DIMENSIONS ARE IN INCHES\MM.
3. RIGHT HAND DOOR SHOWN.

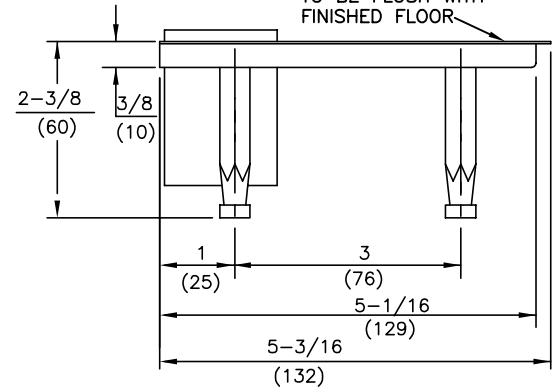


TOP SURFACE OF CEMENT CASE TO BE FLUSH WITH FINISHED FLOOR



WITH THRESHOLD

BASE COVER PLATE TO BE FLUSH WITH FINISHED FLOOR



WITHOUT THRESHOLD

1-1/2" OFFSET BOTTOM ARM

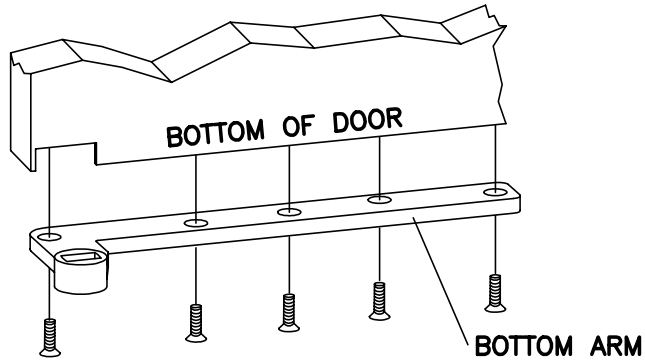


MODEL No.

15323

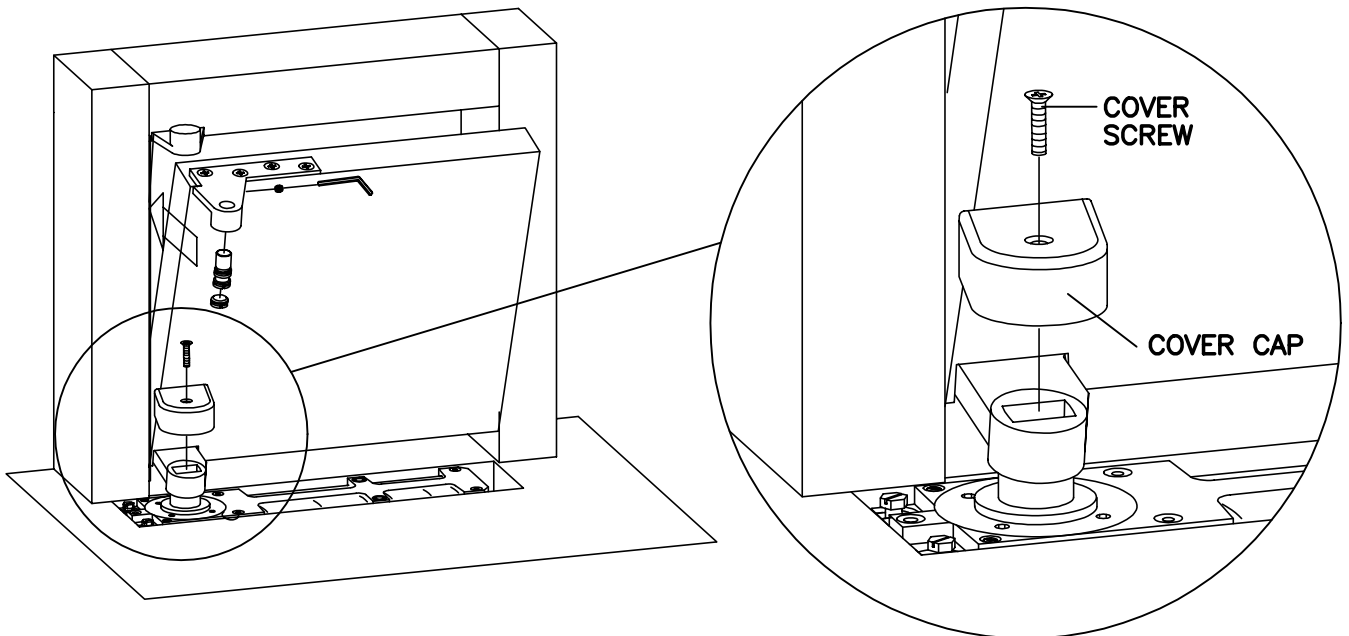
LH RH

1) Prepare door according to template.



2) Fasten arm to door.

FINISH



3) Install door.

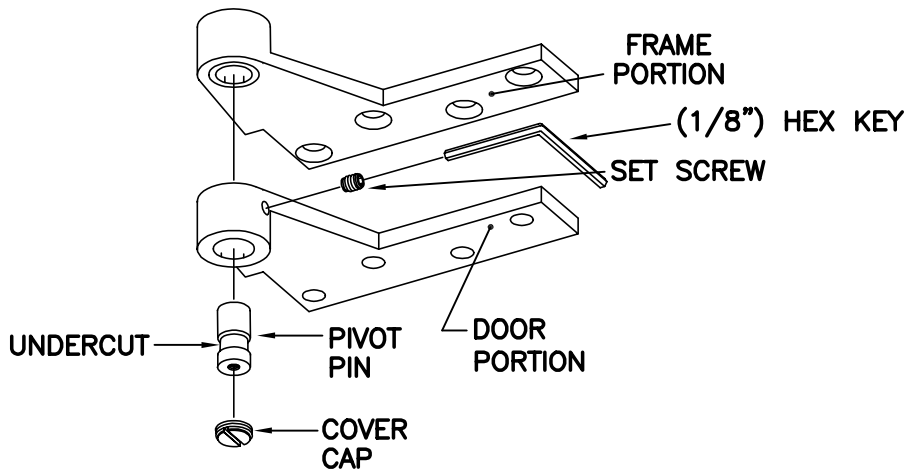
4) Attach cover cap with screw provided.

1-1/2" OFFSET TOP PIVOT



MODEL No.

- 1) Prepare door and frame according to template.
- 2) Remove door portion cover cap, set screw and pivot pin.



<input type="checkbox"/>	15120
<input type="checkbox"/>	15122
<input type="checkbox"/>	15133
NON-HANDED	
<input type="checkbox"/>	15120 5/8
<input type="checkbox"/>	15122 5/8
<input type="checkbox"/>	15133 5/8
<input type="checkbox"/>	LH
<input type="checkbox"/>	RH

FINISH

- 3) Fasten pivot to door and frame.
- 4) Install door. Align door and frame portions of top pivot. Install pivot pin making sure undercut area of pin aligns with set screw. Tighten set screw securely. Install door portion cover cap.

Note:

Depending on type of pivot and hand of door, set screw may be in door portion or frame portion of pivot. However, pivot pin will always be removable through door portion.