

# Norton®

## Installation Instructions

80-9316-2502-020 (12-09)

# Tri-Style 1600 Series

Non Handed Door Closer

Non Hold Open Models

Sized  
(Sizes 2,3,4,5,6)

Adjustable  
(Sizes 3 thru 6)

Weaker  
↓  
Stronger  
+

1602BC  
1603BC  
1604BC  
1605BC  
1606BC

1601  
(Sizes 1 thru 4)  
1601BF

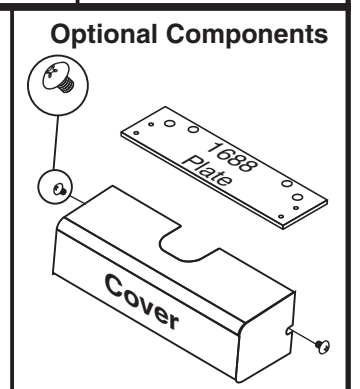
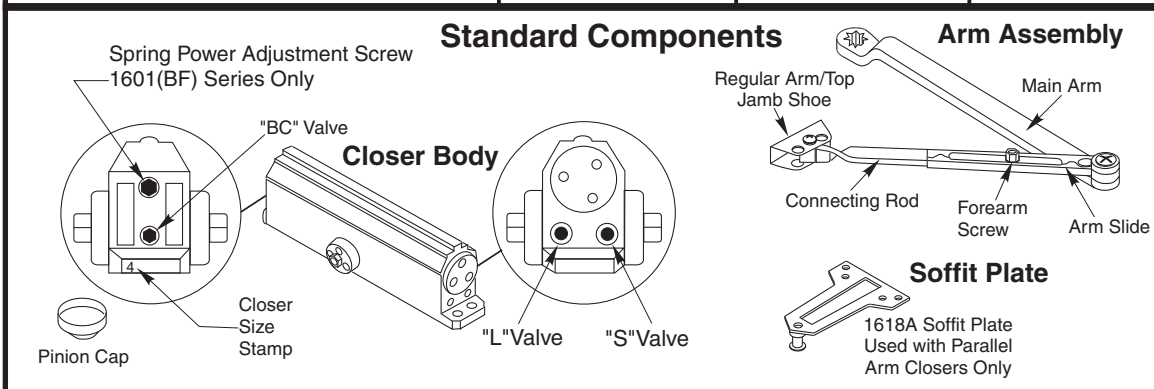
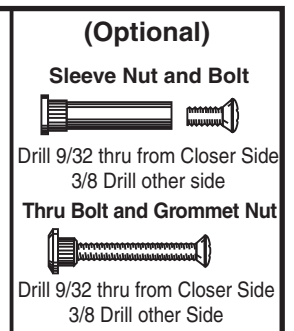
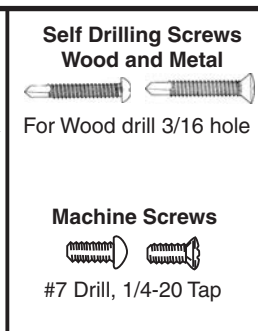
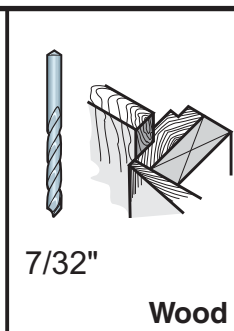
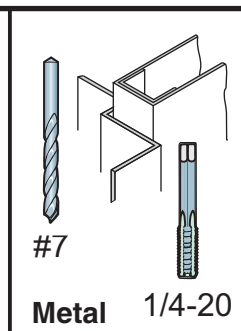
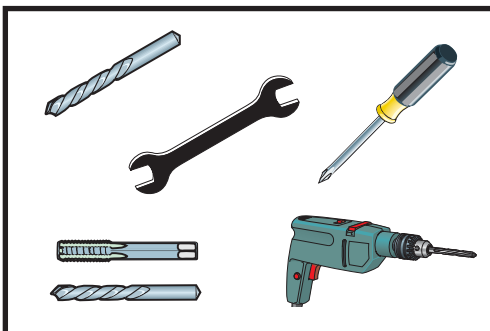
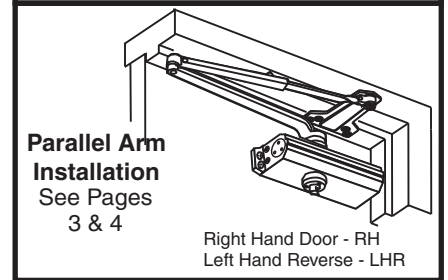
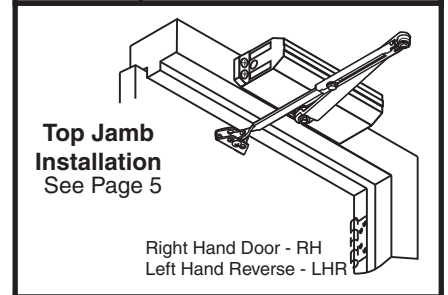
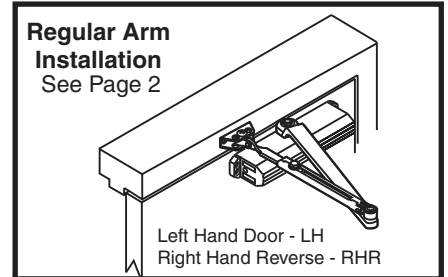
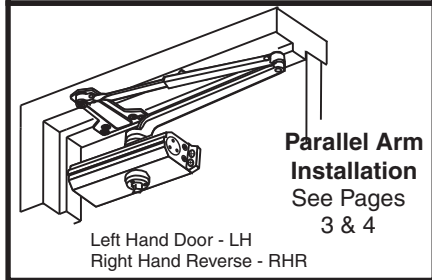
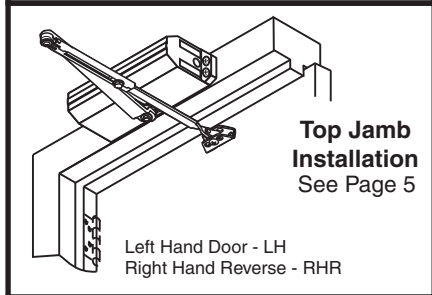
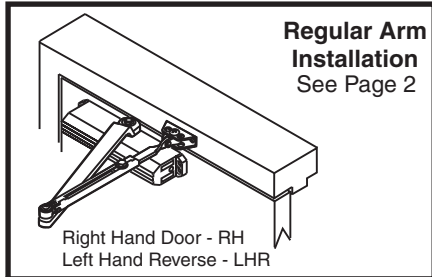


**CAUTION** An Incorrectly installed or improperly adjusted door closer can cause property damage or personal injury. These installation instructions should be followed to avoid the possibility of misapplication or misadjustment. **CAUTION**

"DA" suffix (Delayed Action) is an optional feature. A separate sheet is supplied showing closer adjustments.

**NOTE:** For special applications a separate door and frame preparation template is packed with these instructions. Use this instruction sheet for installation sequence and closer adjustments only.

- Doors should be hung on ball bearing or anti-friction hinges.
- A separate door stop is recommended.
- Door and frame must be properly reinforced.
- Adjust closing time speed between 3 and 7 seconds from 90° to 0°.
- These door closers should NOT be installed on the exposed side (weather side) of exterior doors.



# 1600 Series

## Non Hold Open Door Closers — Regular Arm

80-9316-2502-020 (12-09)

### 1 Parts

**Optional**

### 2

**Right Hand Shown**

Opening	Dimension "A"	
To 100°	$\frac{7}{(178)}$	Inches (mm)
101° to 120°	$\frac{6}{(152)}$	
* 121° to 180°	$\frac{3-1/2}{(89)}$	

\* Door/Wall/Hardware/Jamb conditions permitting

### 3

**Stronger +**

**Weaker -**

1601(BF) Only  
Spring Power Adjust  
(If Necessary)

### 4 Sweep

**Faster +**

**Slower -**

### 5 Latch

**Faster +**

**Slower -**

### 6 Backcheck

**Stronger +**

**Weaker -**

**Caution:**  
Don't completely close valve

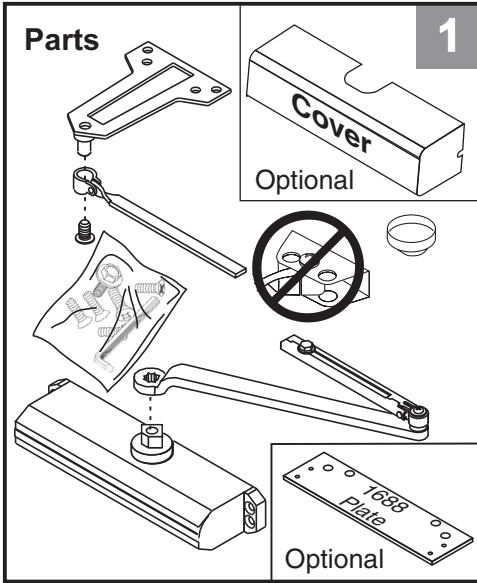
### 7 Pinion Cap or Optional Cover

(2)

# 1600 Series

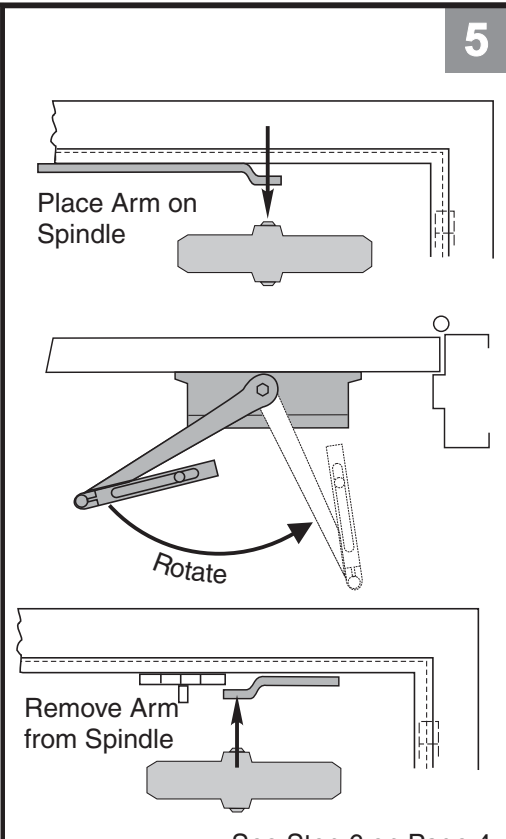
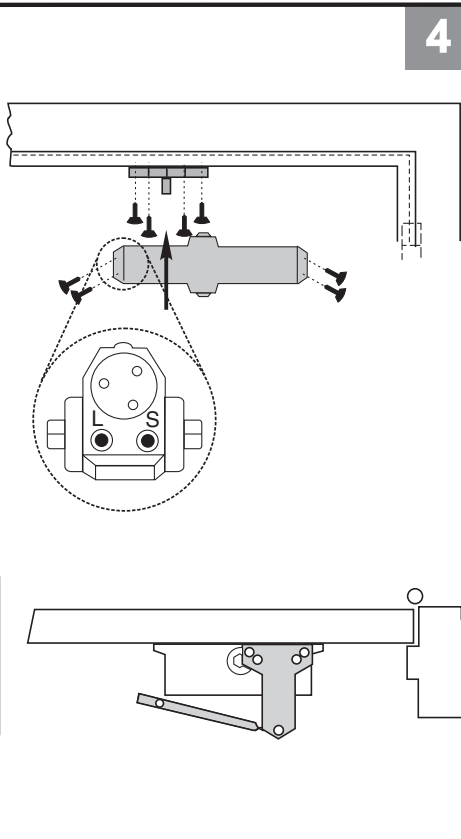
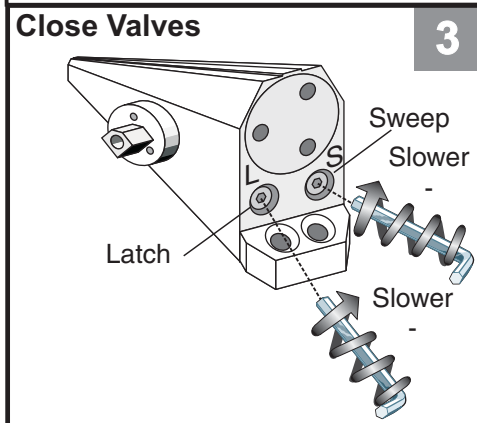
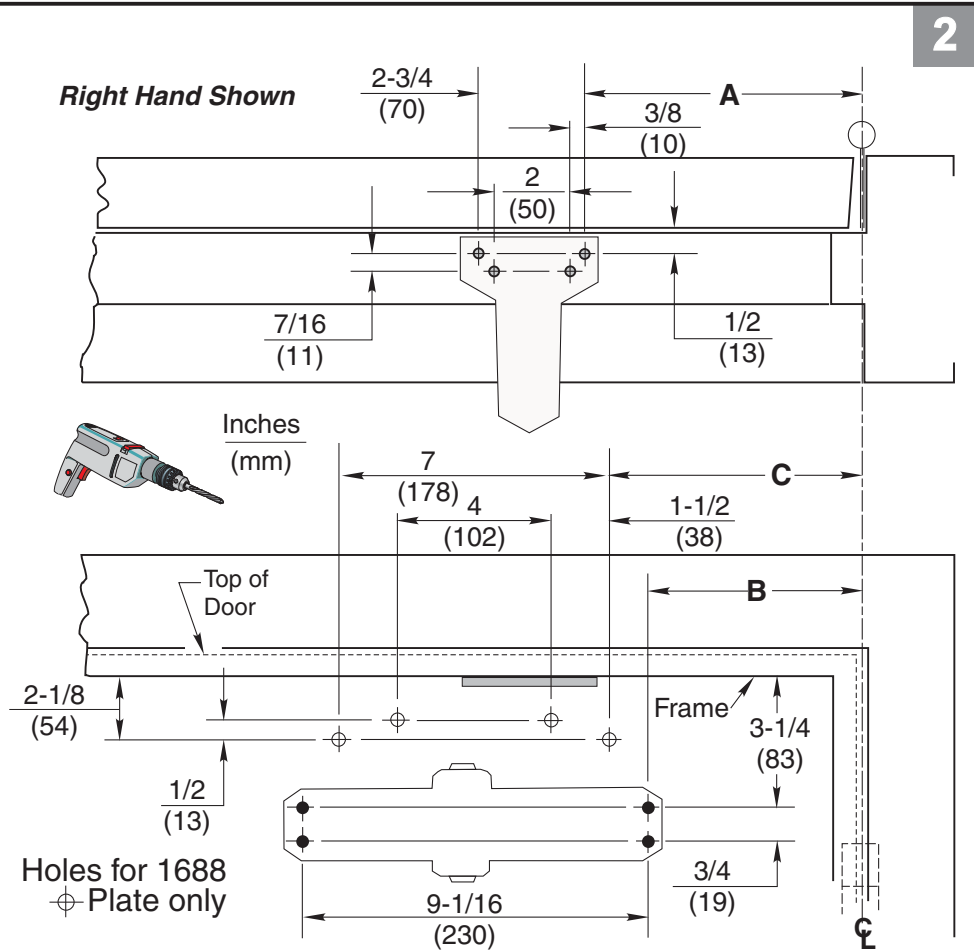
## Non Hold Open Door Closers — Parallel Arm

80-9316-2502-020 (12-09)



Door Opening	A	B	C
To 100°	9-1/4 (235)	7-5/8 (194)	8-5/8 (219)
101° to 130°	7-3/4 (197)	6-1/8 (156)	7-1/8 (181)
*131° to 180°	5-3/4 (146)	4-1/8 (105)	5-1/8 (130)

\* Door/Wall/Hardware/Jamb conditions permitting

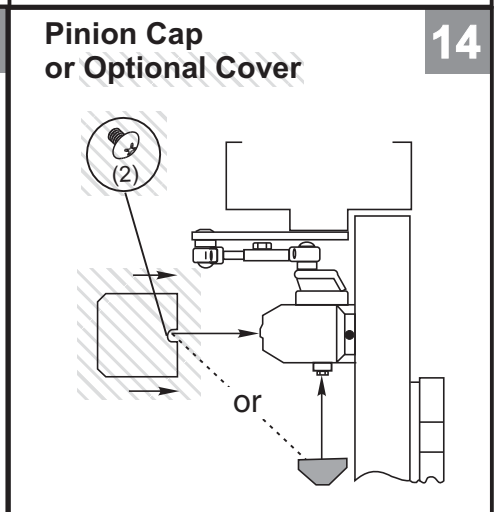
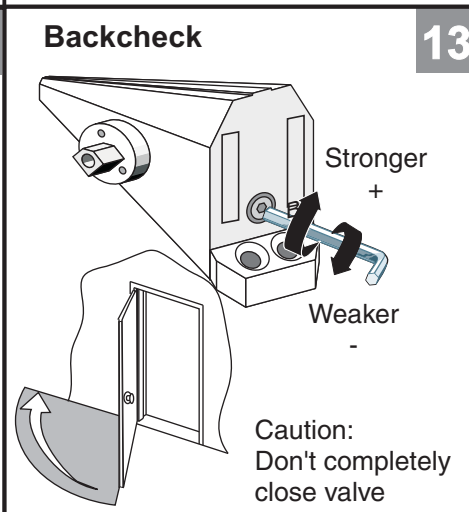
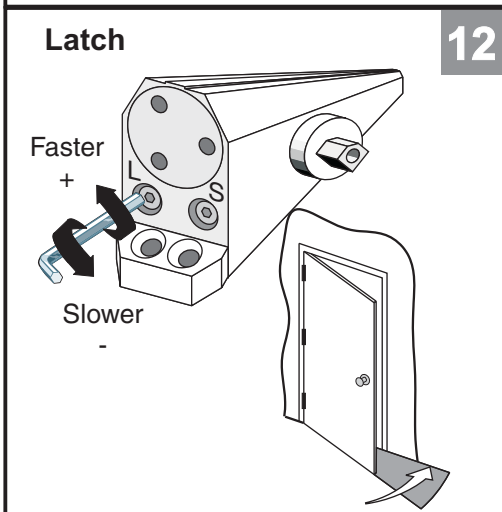
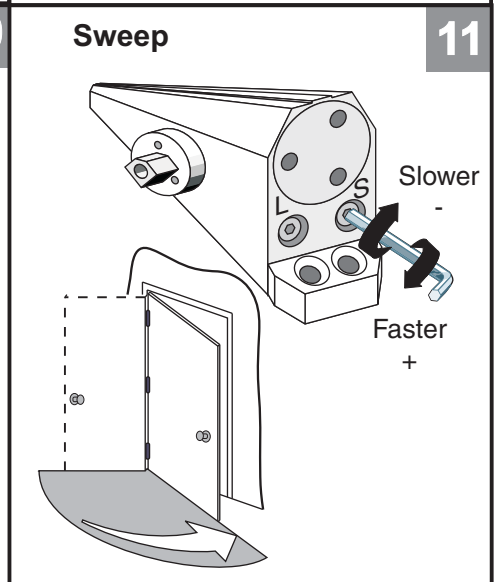
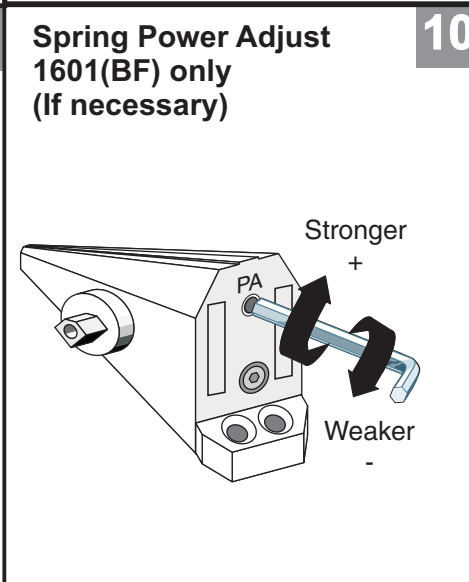
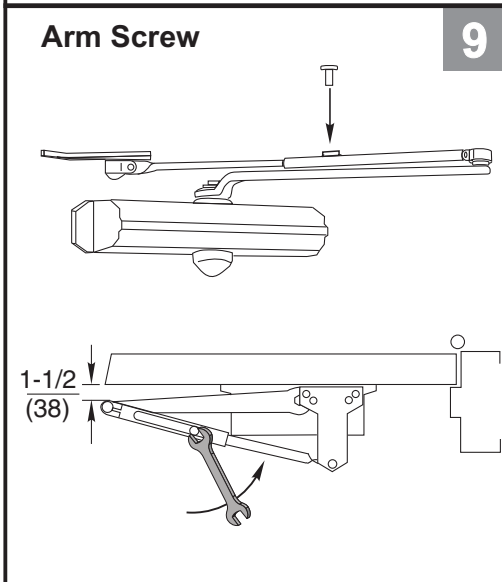
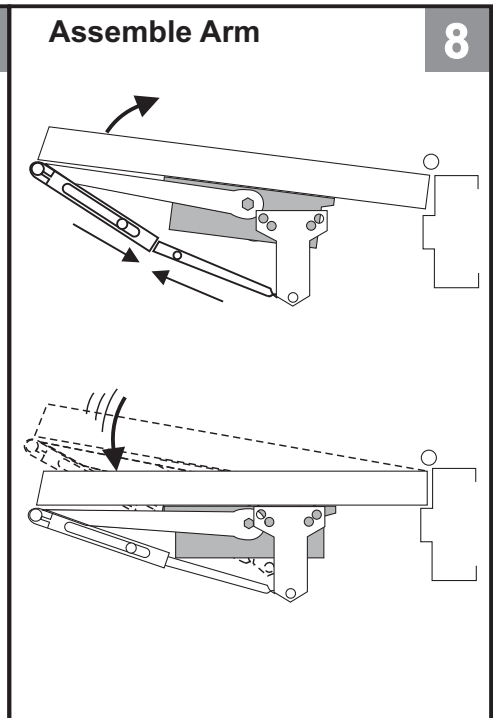
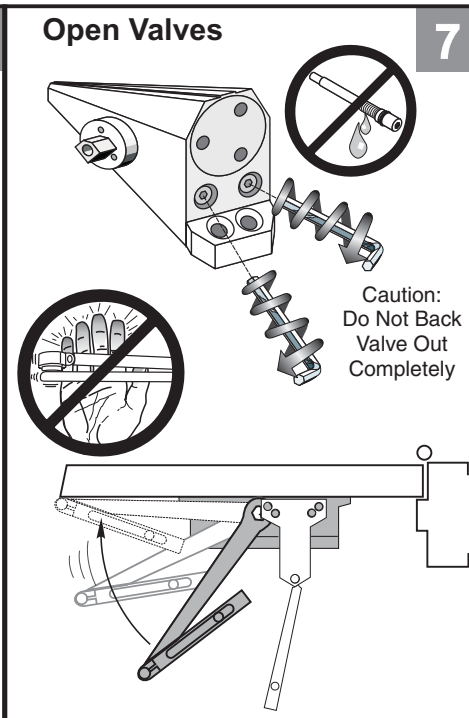
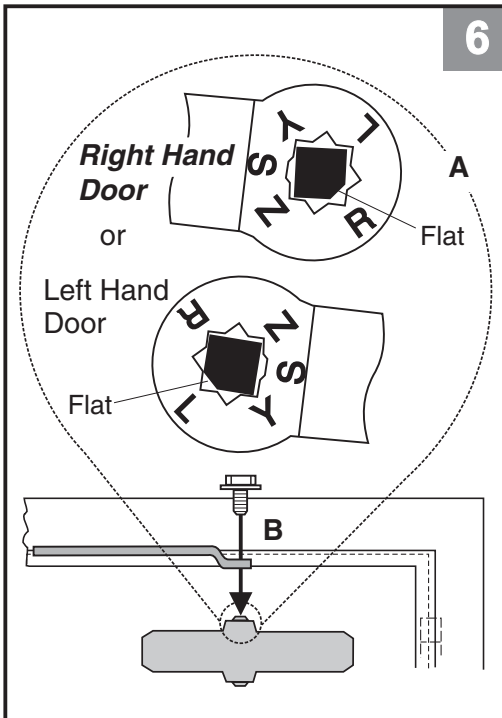


See Step 6 on Page 4

# 1600 Series

## Non Hold Open Door Closers — Parallel Arm

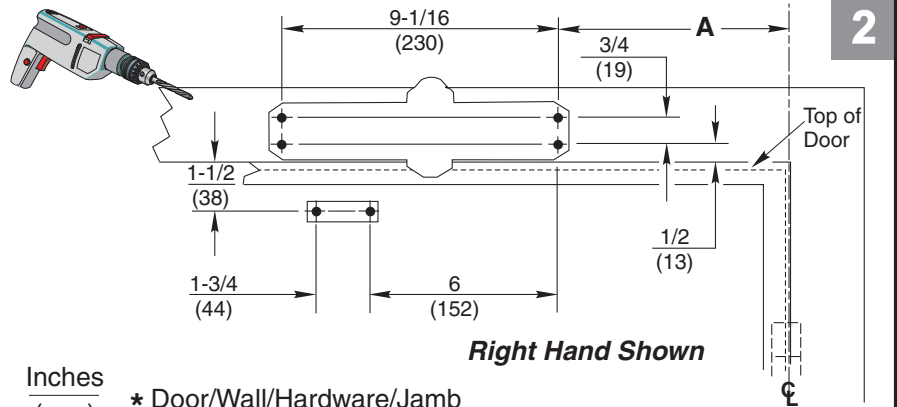
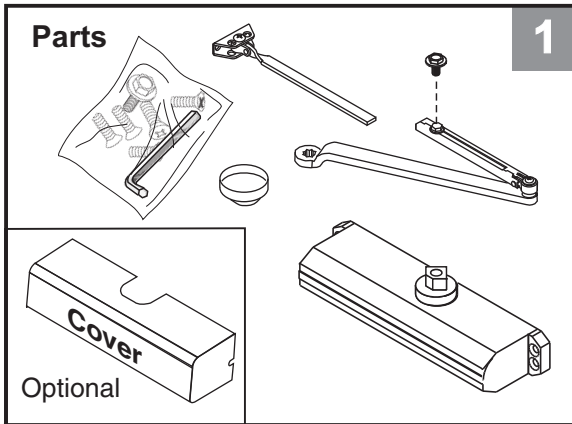
80-9316-2502-020 (12-09)



# 1600 Series

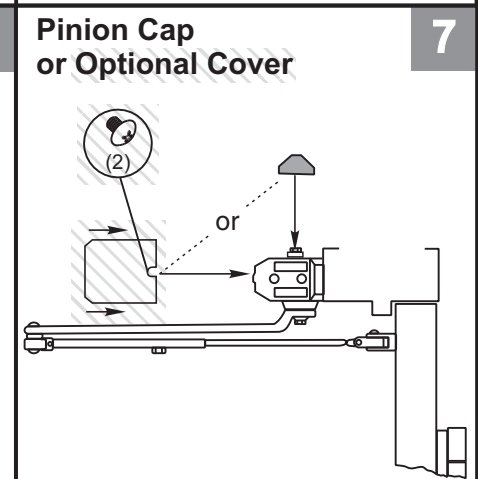
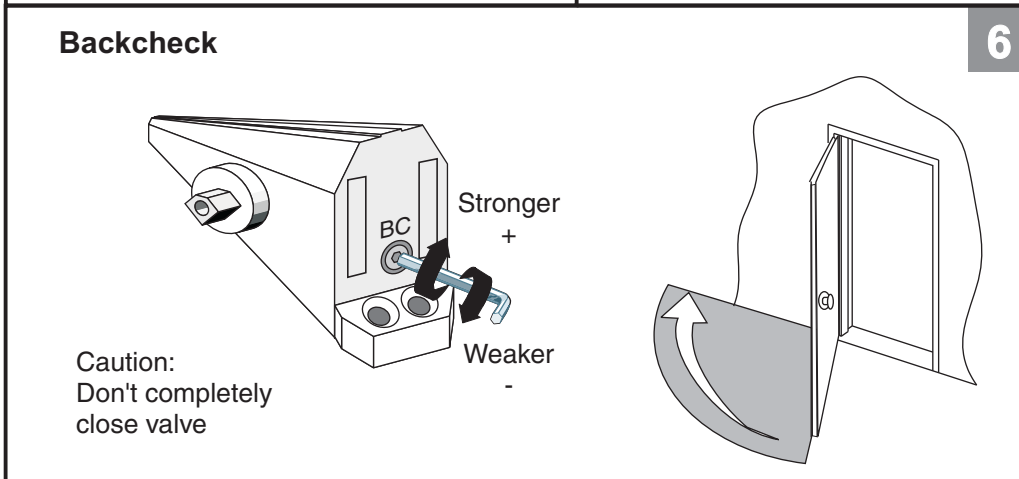
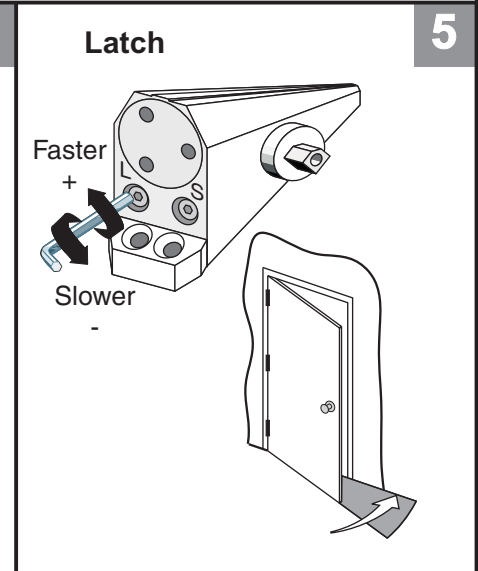
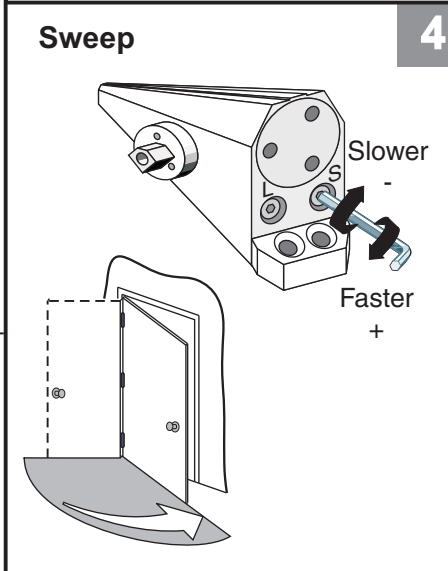
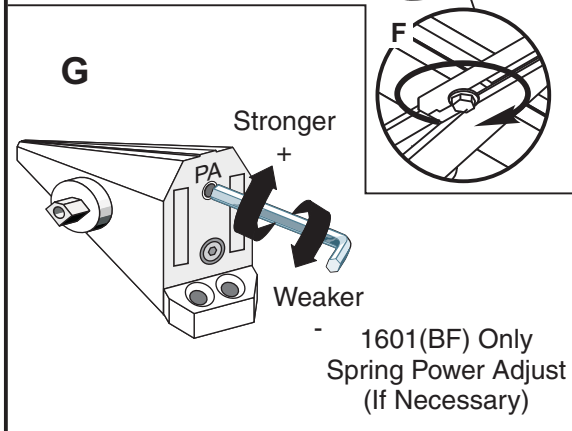
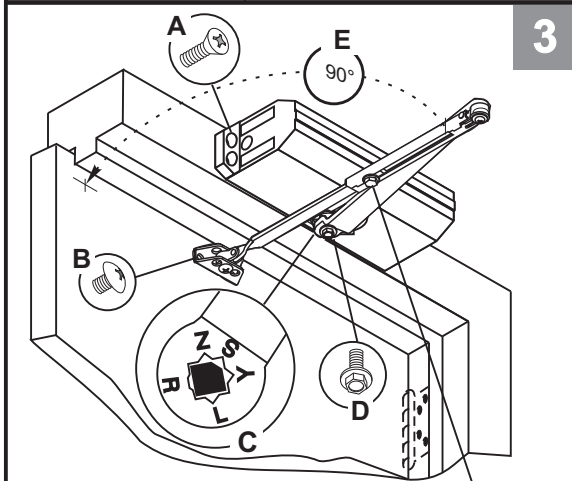
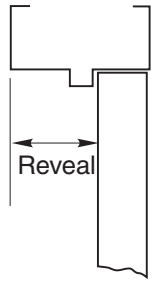
## Non Hold Open Door Closers — Top Jamb Arm

80-9316-2502-020 (12-09)



Opening	Dimension "A"
To 100°	7-1/2 (191)
101° to 120°	6 (152)
*121° to 180°	3-1/2 (89)

A longer connecting rod is required for reveals greater than 3" (76)



# 1600 Series Adjustments

80-9316-2502-020 (12-09)

Norton® is a registered trademark of Yale Security Inc., an ASSA ABLOY Group company.  
 Copyright © 2001, 2009 Yale Security Inc., an ASSA ABLOY Group company. All rights reserved.  
 Reproduction in whole or in part without the express written permission of Yale Security Inc. is prohibited.



**ASSA ABLOY**

ASSA ABLOY, the global leader in door opening solutions

3000 Highway 74 East • Monroe, NC 28112  
 Tel: (877)-974-2255 • Fax: (800)-338-0965  
 www.nortondoorcontrols.com

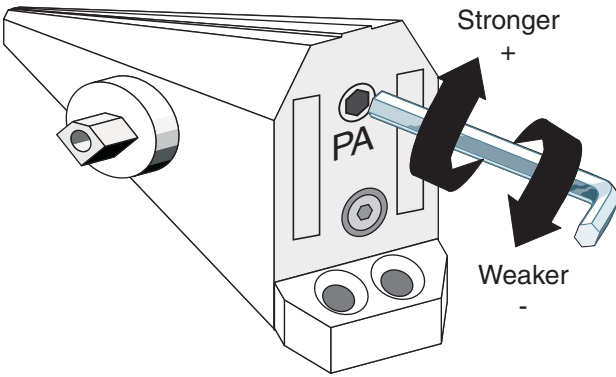
### Sweep

### Latch

### Backcheck

(Use 1/8" Hex Wrench for these Adjustments)

## Spring Power Adjust 1601 (BF) only



(Use 3/16" Hex Wrench for this Adjustment)

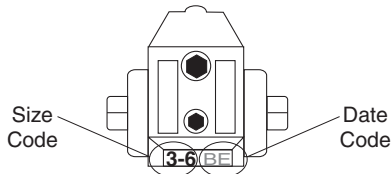
### Adjustment Chart

	DOOR	TYPE OF INST.	*	Number of Turns Required MAXIMUM DOOR SIZE				
				34" (0.85M)	36" (0.90M)	40" (1.00M)	44" (1.10M)	48" (1.20M)
1601BF	INTERIOR	Regular Arm Top Jamb	FULL 360° TURNS OF 3/16 POWER ADJUSTMENT WRENCH	1	1	2	3	3
		Parallel Arm		2	2	3	4	5
	EXTERIOR	Regular Arm Top Jamb		5	6	8	NOT RECOMMENDED USE 1601	
		Parallel Arm		8	9	12		
1601	INTERIOR	Regular Arm Top Jamb	FULL 360° TURNS OF 3/16 POWER ADJUSTMENT WRENCH	2	4	6	9	11
		Parallel Arm		3	5	7	10	13
	EXTERIOR	Regular Arm Top Jamb		3	5	7	10	13
		Parallel Arm		5	7	10	14	16

\*18 FULL (360°) TURNS MAXIMUM AVAILABLE

= 8 Turns As Shipped

### To identify your model:



- 2=1602BC
- 3=1603BC
- 4=1604BC
- 5=1605BC
- 6=1606BC

- 3-6=1601
- 1-4=1601BF

### Arm Placement in Shoe

