

Notes:

1. Do not scale drawing.
2. Right hand shown.
3. All dimensions are in inches.
4. Template drawing for reference only.

**680 Top Pivot
3/4" Offset, Non Handed
Surface Mount Jamb / Double Mortise Door**

RIXSON®
ASSA ABLOY

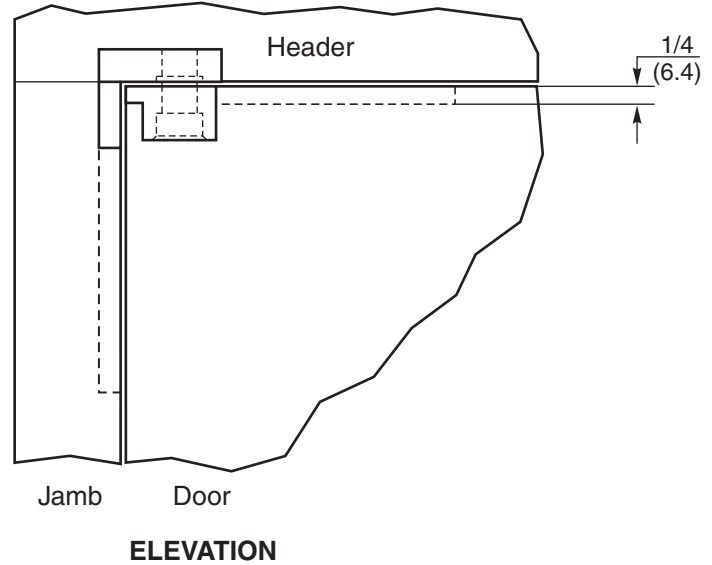
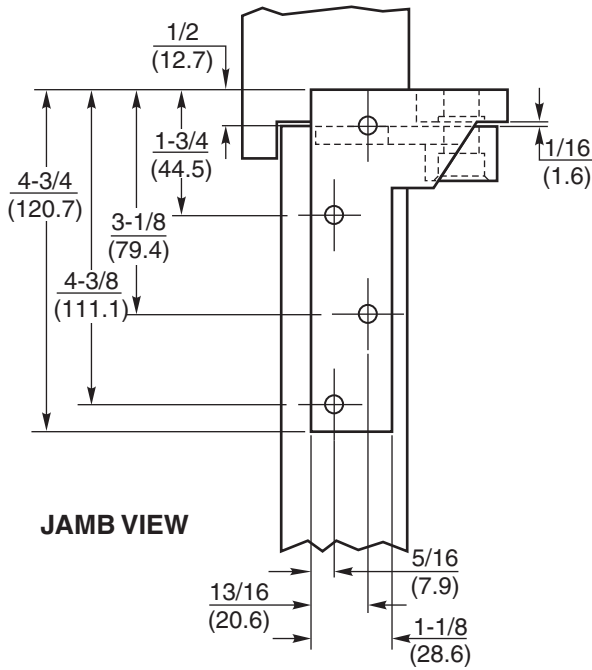
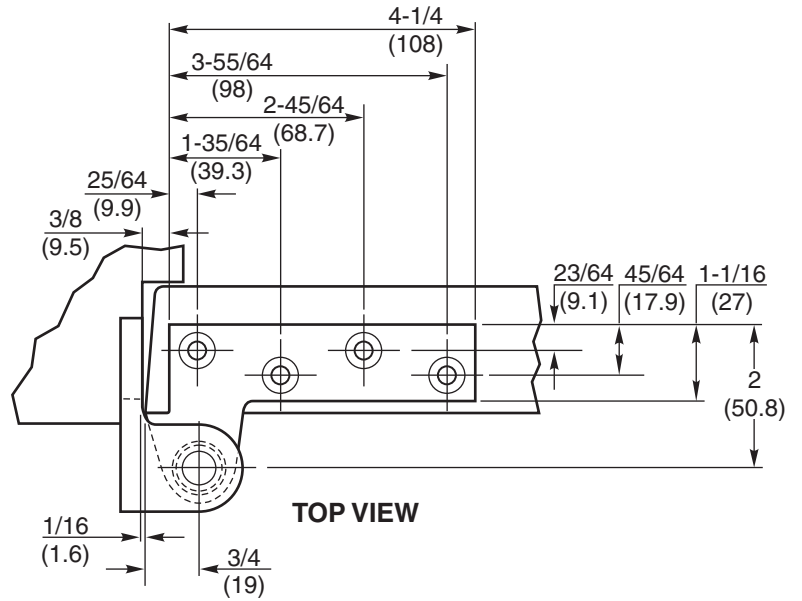
www.rixson.com

TEMPLATE NUMBER

IS-680

DATE

07-09



Notes:

1. Do not scale drawing.
2. Right hand shown.
3. All dimensions are in inches.
4. Template drawing for reference only.

**680 Top Pivot
3/4" Offset, Non Handed
Mortise Jamb / Header & Door**

RIXSON®
ASSA ABLOY

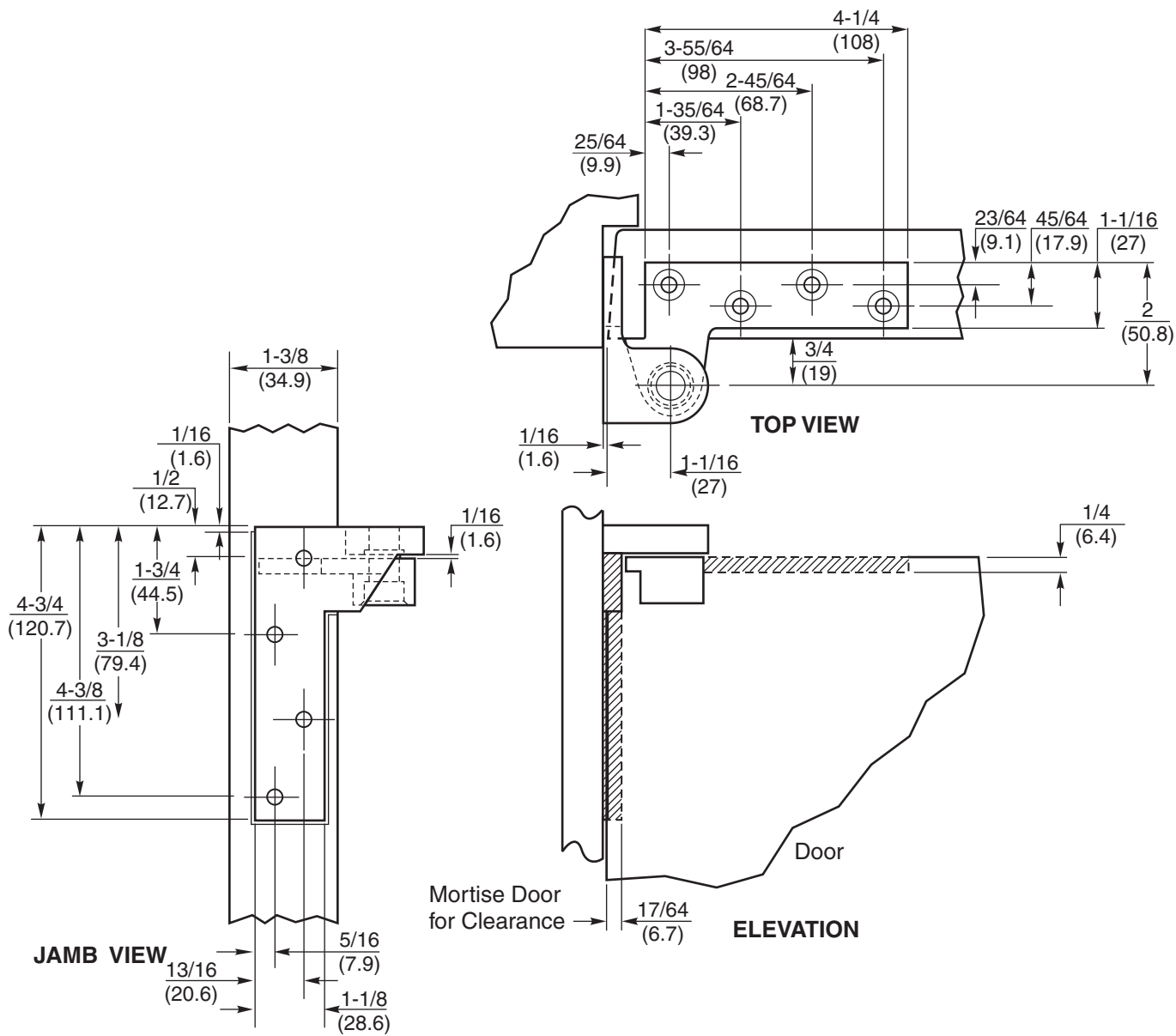
www.rixson.com

TEMPLATE NUMBER

IS-680

DATE

07-09



Notes:

1. Do not scale drawing.
2. Right hand shown.
3. All dimensions are in inches.
4. Template drawing for reference only.

**680 Top Pivot
3/4" Offset, Non Handed
Mortise Jamb & Door**

RIXSON®
ASSA ABLOY

www.rixson.com

TEMPLATE NUMBER

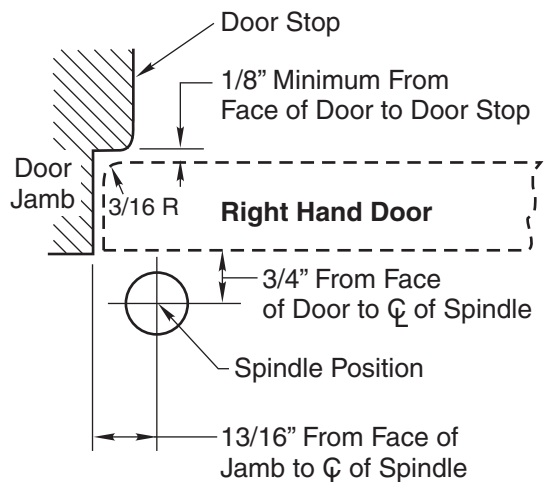
IS-680

DATE

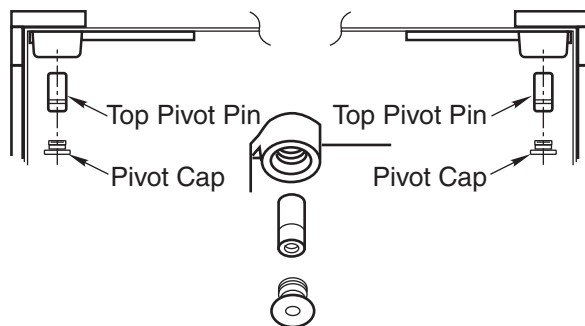
07-09

680 Top Pivot

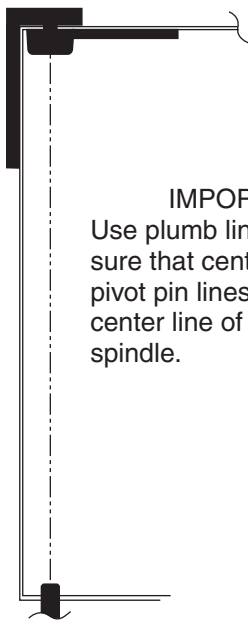
Location



Attachment

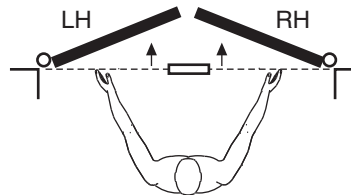


1. Attach door leaf of top pivot to door.
2. Attach jamb leaf of top pivot to frame.
3. If side jamb pivot is used, see required template for instructions.
4. Push top pivot pin into place.
5. Attach pivot cap. CAP MUST BE TIGHTENED SECURELY.



IMPORTANT:
 Use plumb line to make sure that center line of top pivot pin lines up with center line of closer/pivot spindle.

How To Determine Hand of Door



Face a door swinging open away from you. If it opens to the right, it is right hand. If it opens to the left, it is left hand.

680 Top Pivot
3/4" Offset, Non Handed

RIXSON®
ASSA ABLOY

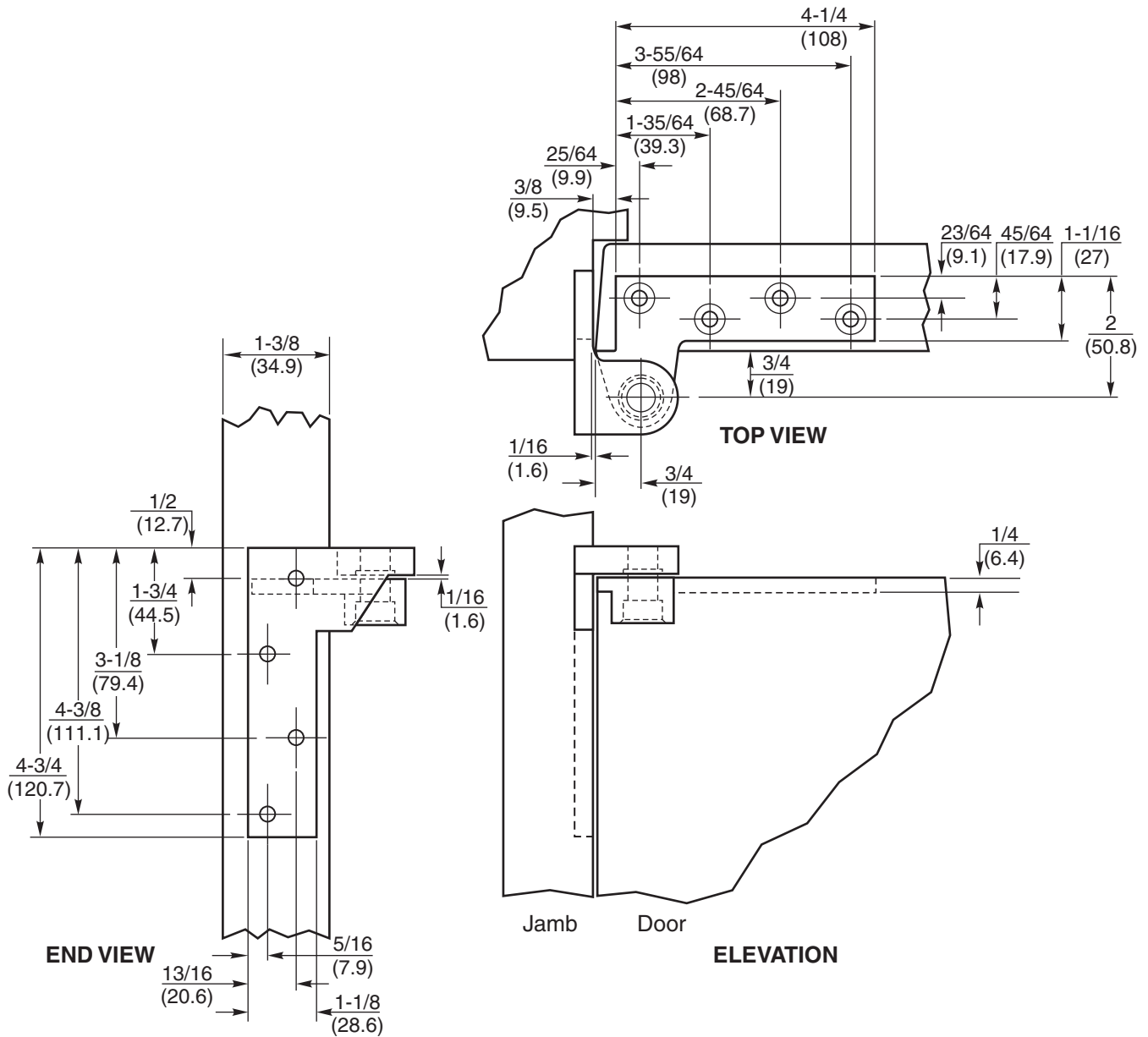
www.rixson.com

TEMPLATE NUMBER

IS-680

DATE

07-09



Notes:

1. Do not scale drawing.
2. Right hand shown.
3. All dimensions are in inches.
4. Template drawing for reference only.

**680 Top Pivot
3/4" Offset, Non Handed
Surface Mount Jamb / Double Mortise Door**

RIXSON®
ASSA ABLOY

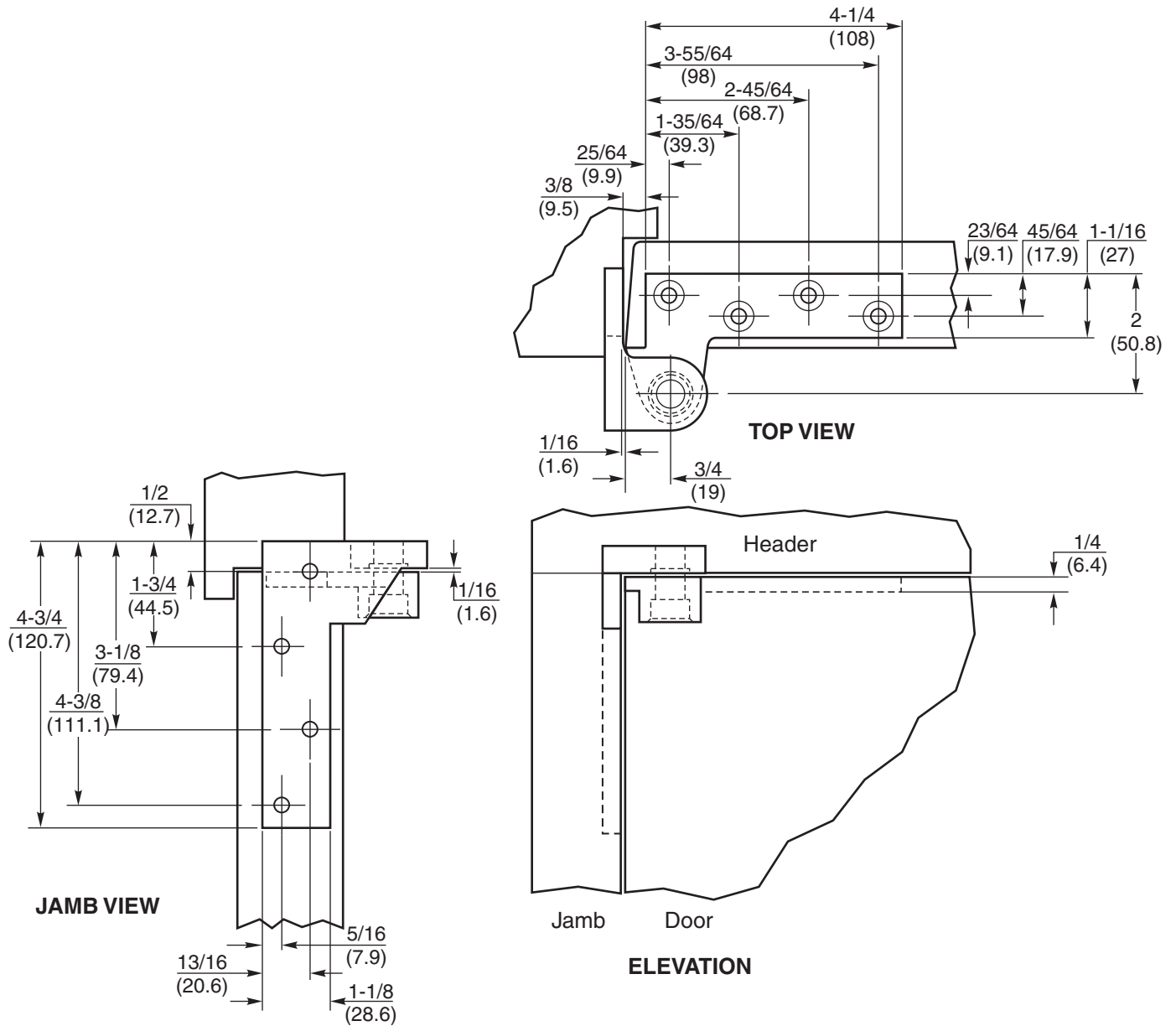
www.rixson.com

TEMPLATE NUMBER

IS-680

DATE

07-09



Notes:

1. Do not scale drawing.
2. Right hand shown.
3. All dimensions are in inches.
4. Template drawing for reference only.

**680 Top Pivot
3/4" Offset, Non Handed
Mortise Jamb / Header & Door**

RIXSON®
ASSA ABLOY

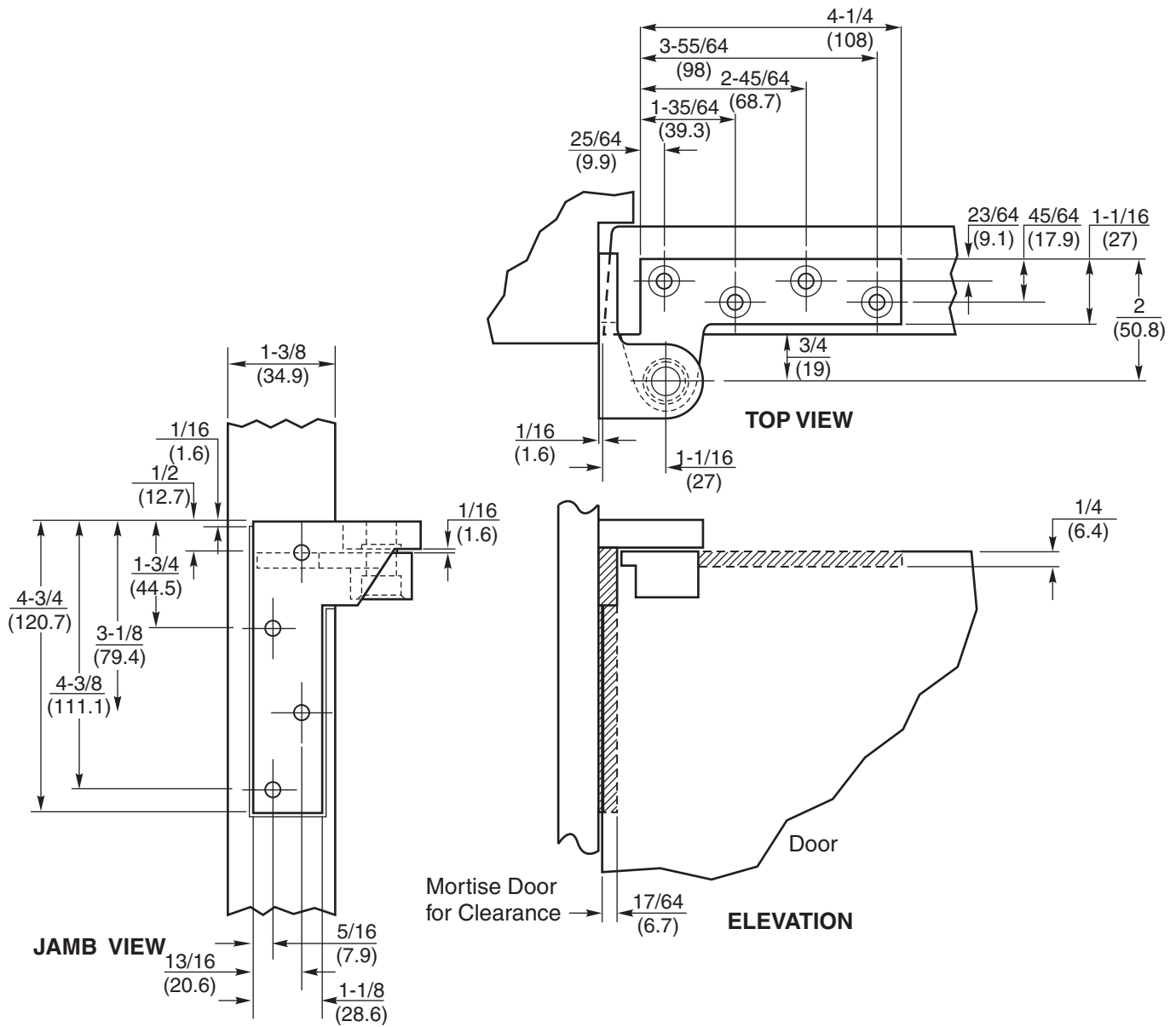
www.rixson.com

TEMPLATE NUMBER

IS-680

DATE

07-09



Notes:

1. Do not scale drawing.
2. Right hand shown.
3. All dimensions are in inches.
4. Template drawing for reference only.

**680 Top Pivot
3/4" Offset, Non Handed
Mortise Jamb & Door**

RIXSON®
ASSA ABLOY

www.rixson.com

TEMPLATE NUMBER

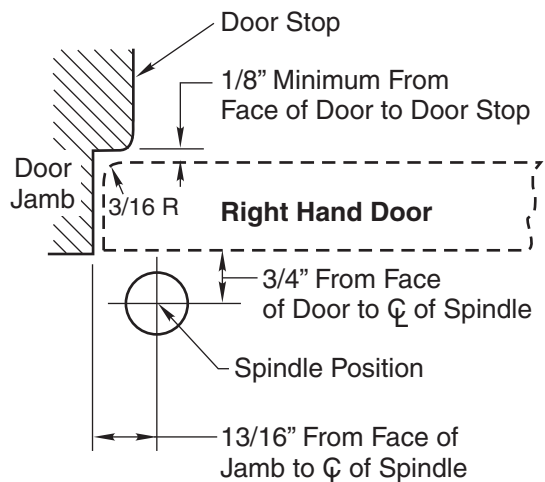
IS-680

DATE

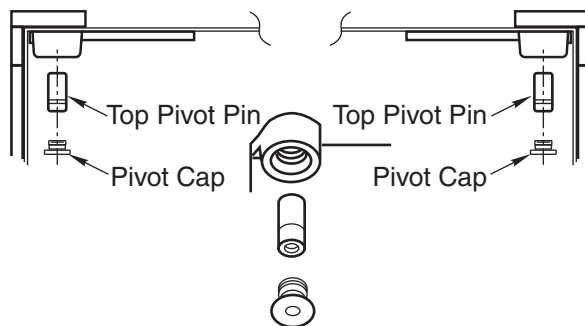
07-09

680 Top Pivot

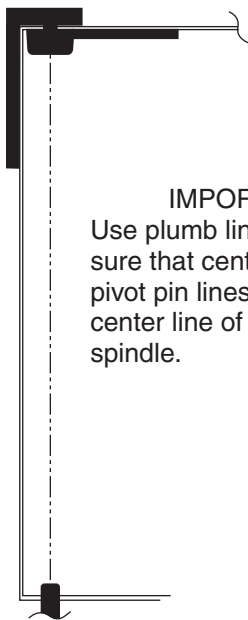
Location



Attachment

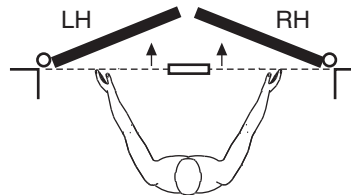


1. Attach door leaf of top pivot to door.
2. Attach jamb leaf of top pivot to frame.
3. If side jamb pivot is used, see required template for instructions.
4. Push top pivot pin into place.
5. Attach pivot cap. CAP MUST BE TIGHTENED SECURELY.



IMPORTANT:
 Use plumb line to make sure that center line of top pivot pin lines up with center line of closer/pivot spindle.

How To Determine Hand of Door



Face a door swinging open away from you. If it opens to the right, it is right hand. If it opens to the left, it is left hand.

680 Top Pivot
3/4" Offset, Non Handed

RIXSON®
ASSA ABLOY

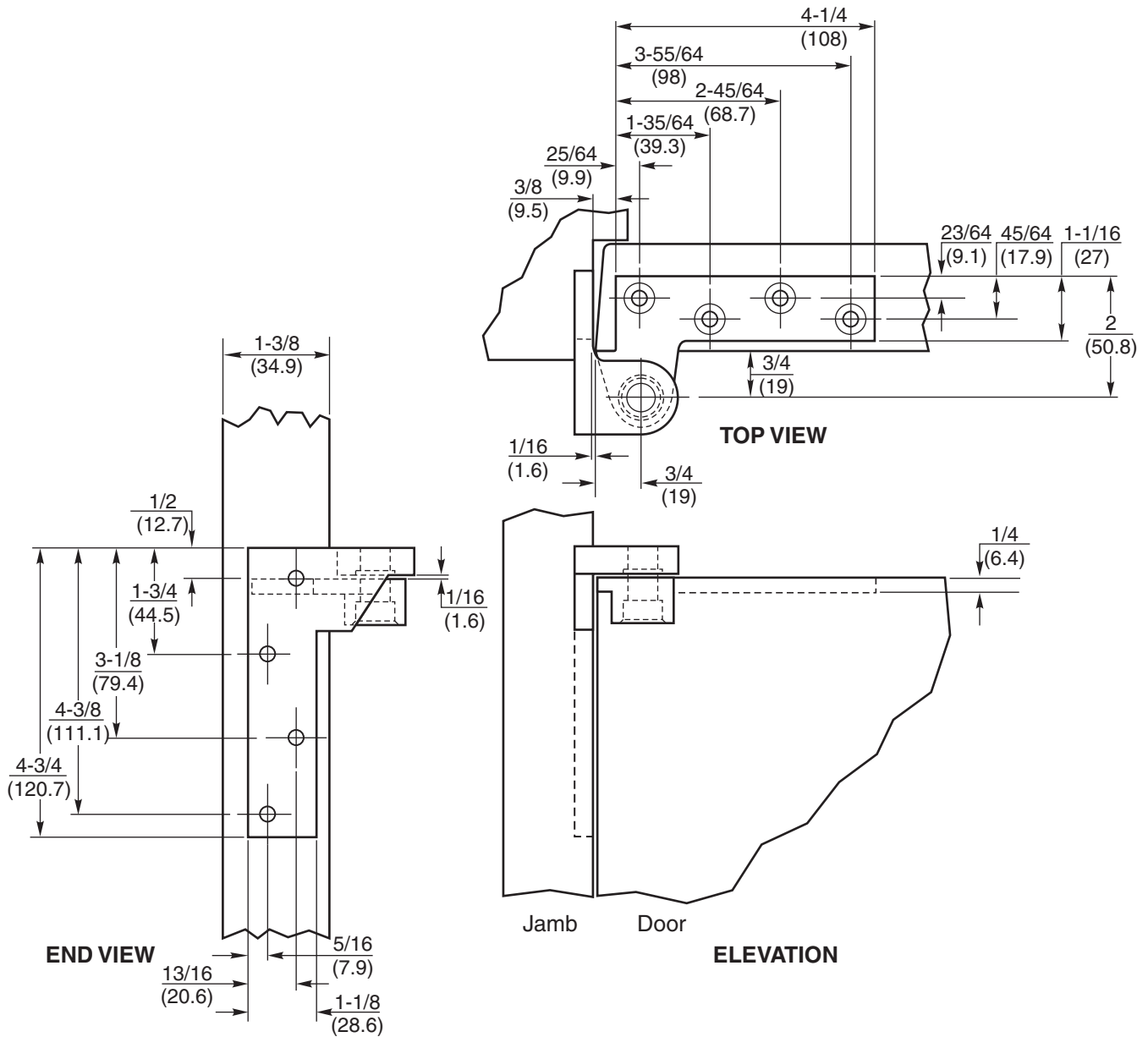
www.rixson.com

TEMPLATE NUMBER

IS-680

DATE

07-09



Notes:

1. Do not scale drawing.
2. Right hand shown.
3. All dimensions are in inches.
4. Template drawing for reference only.

**680 Top Pivot
3/4" Offset, Non Handed
Surface Mount Jamb / Double Mortise Door**

RIXSON®
ASSA ABLOY

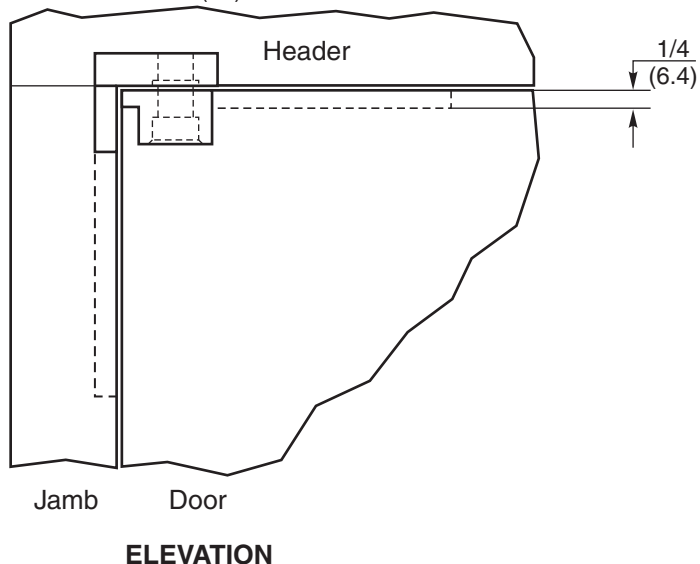
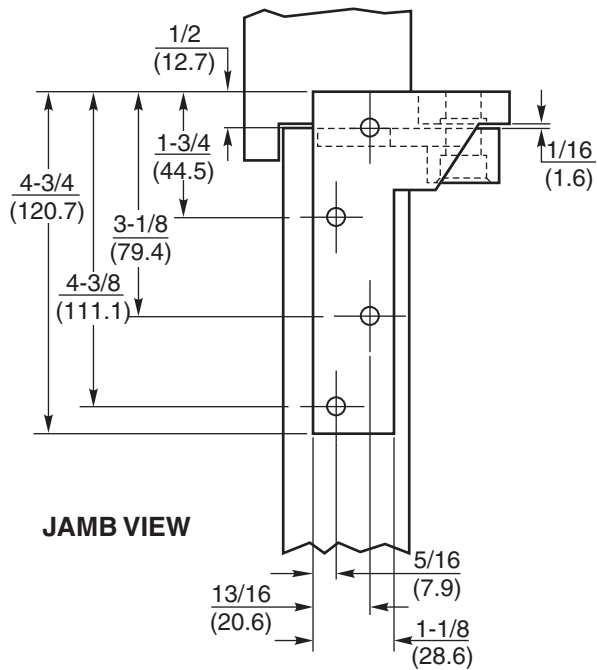
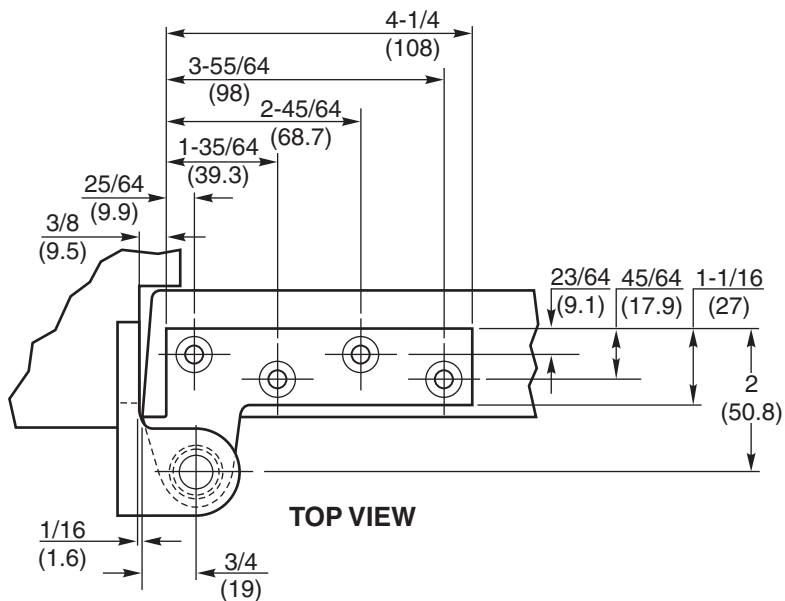
www.rixson.com

TEMPLATE NUMBER

IS-680

DATE

07-09



Notes:

1. Do not scale drawing.
2. Right hand shown.
3. All dimensions are in inches.
4. Template drawing for reference only.

**680 Top Pivot
3/4" Offset, Non Handed
Mortise Jamb / Header & Door**

RIXSON®
ASSA ABLOY

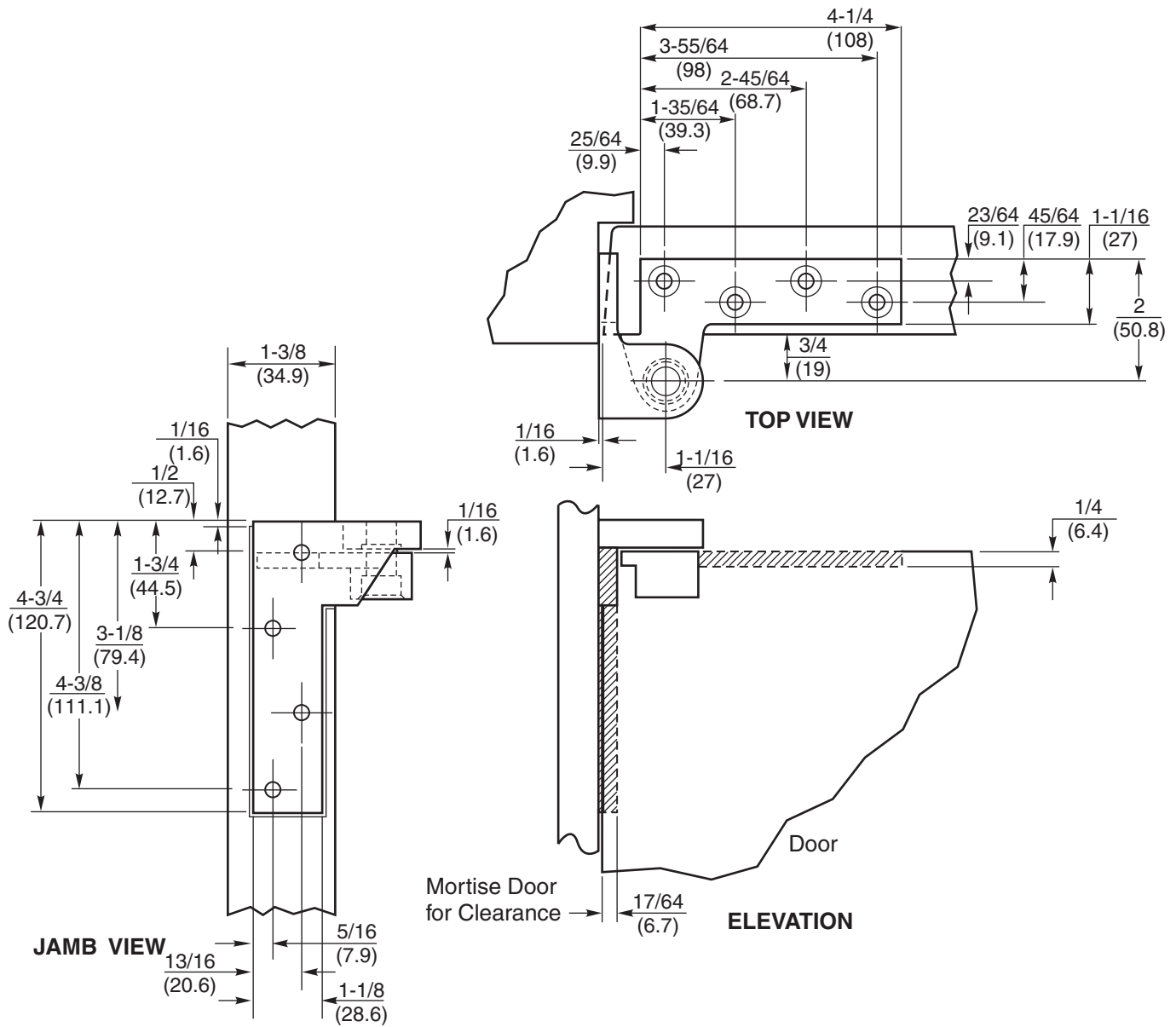
www.rixson.com

TEMPLATE NUMBER

IS-680

DATE

07-09



Notes:

1. Do not scale drawing.
2. Right hand shown.
3. All dimensions are in inches.
4. Template drawing for reference only.

**680 Top Pivot
3/4" Offset, Non Handed
Mortise Jamb & Door**

RIXSON®
ASSA ABLOY

www.rixson.com

TEMPLATE NUMBER

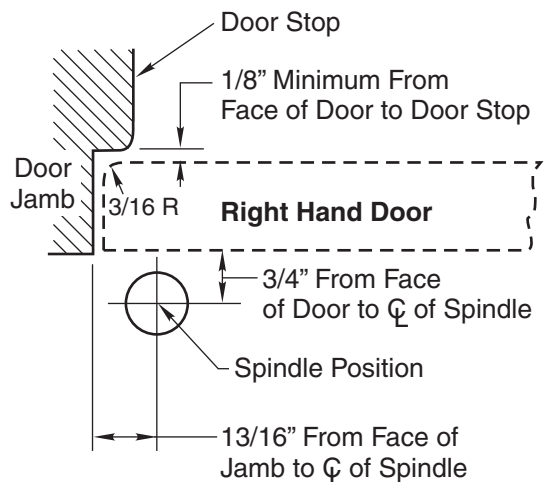
IS-680

DATE

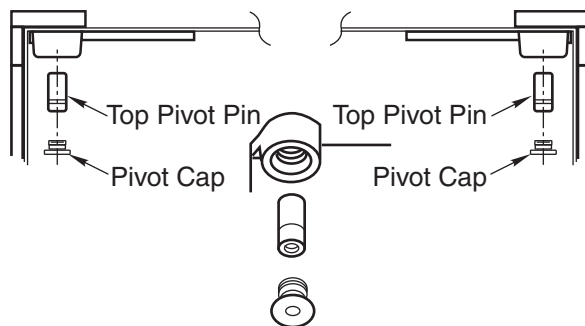
07-09

680 Top Pivot

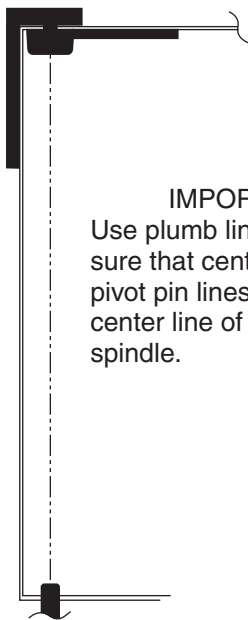
Location



Attachment

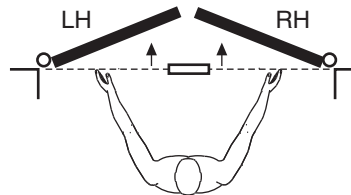


1. Attach door leaf of top pivot to door.
2. Attach jamb leaf of top pivot to frame.
3. If side jamb pivot is used, see required template for instructions.
4. Push top pivot pin into place.
5. Attach pivot cap. CAP MUST BE TIGHTENED SECURELY.



IMPORTANT:
 Use plumb line to make sure that center line of top pivot pin lines up with center line of closer/pivot spindle.

How To Determine Hand of Door



Face a door swinging open away from you. If it opens to the right, it is right hand. If it opens to the left, it is left hand.

680 Top Pivot
3/4" Offset, Non Handed

RIXSON®
ASSA ABLOY

www.rixson.com

TEMPLATE NUMBER

IS-680

DATE

07-09