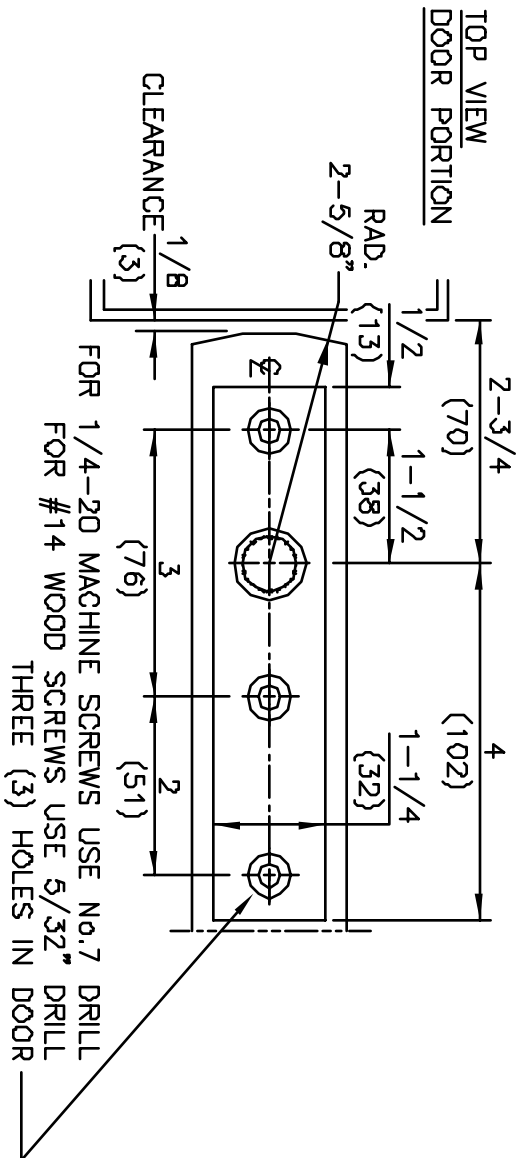
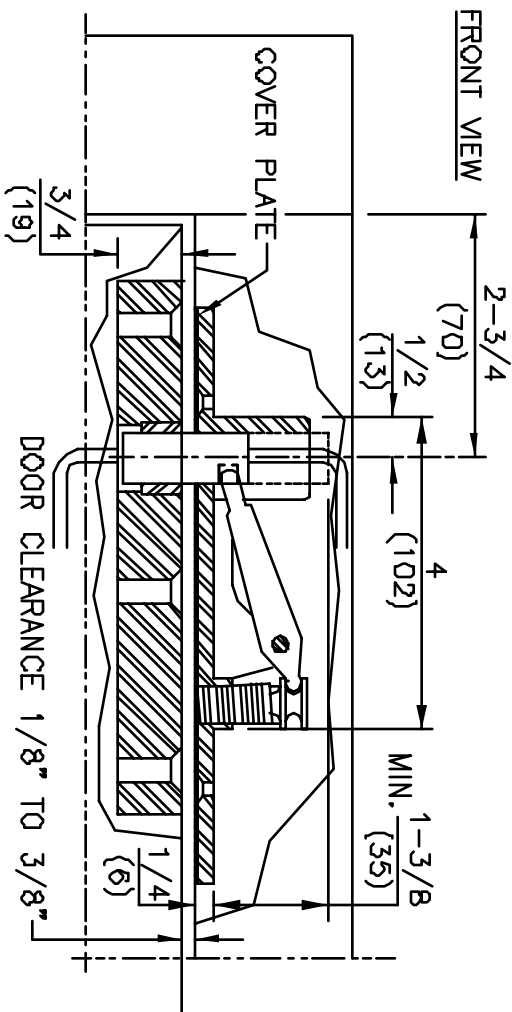
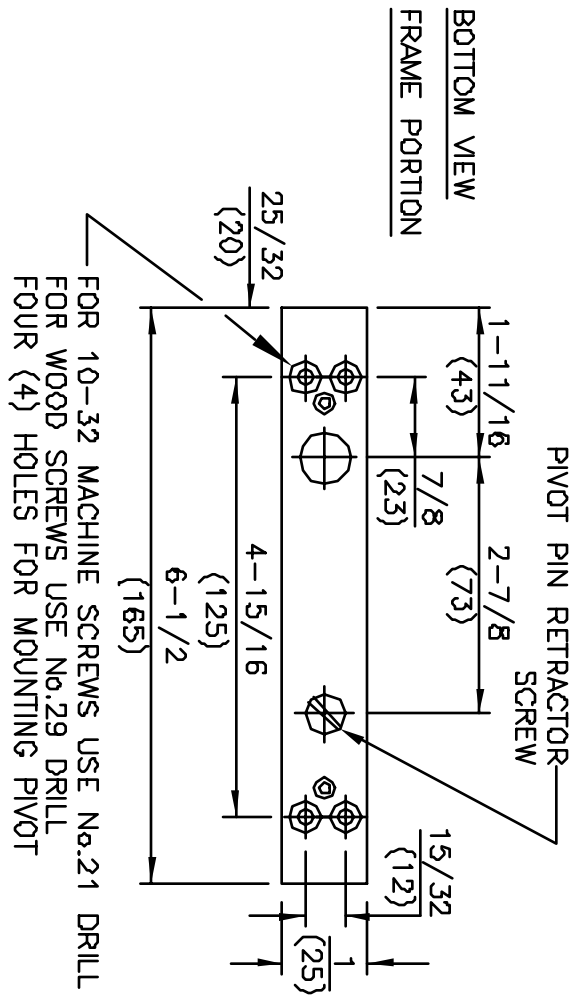


No.	REVISIONS	DATE

- NOTES
1. DO NOT SCALE DRAWING.
  2. DIMENSIONS ARE IN INCHES/(MM).
  3. ALL NECESSARY REINFORCING FOR PIVOTS BY OTHERS.
  4. PIVOT PIN DIAMETER .625.
  5. ELECTRICAL RATINGS: TWO WIRE-#18 AWG 3 AMPS CONTINUOUS, FOUR WIRE- #22 AWG 2 AMPS CONTINUOUS AND LOW VOLTAGE ONLY.
  6. WHEN PREPARING DOOR AND FRAME FOR PIVOT, ALLOW SUFFICIENT SPACE FOR MAKING WIRING CONNECTIONS.



MODEL No. E8062  
CENTER HUNG TOP PIVOT FOR POWER TRANSFER



DORMA Architectural Hardware  
REAVISTOWN, PENNSYLVANIA 17567  
TEMPLATE No. LM-33