

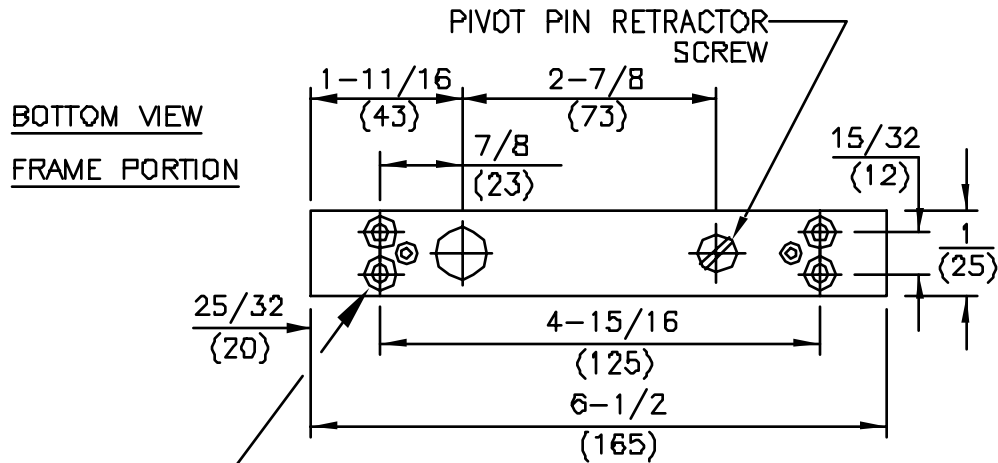
DATE	2/13/91
	REVISIONS
No.	1
	TEMPLATE REDRAWN

NOTES

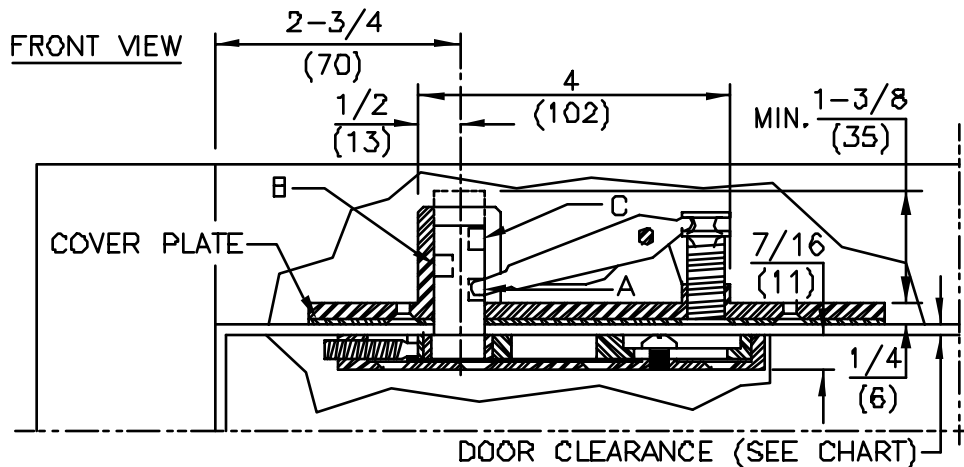
1. DO NOT SCALE DRAWING.
2. DIMENSIONS ARE IN INCHES/(MM).
3. ALL NECESSARY REINFORCING FOR PIVOTS BY OTHERS.
4. PIVOT PIN DIAMETER .591/(15MM).
5. PIVOT PIN PROJECTION IS ADJUSTABLE. SEE CHART FOR DOOR CLEARANCES.

DOOR CLEARANCE

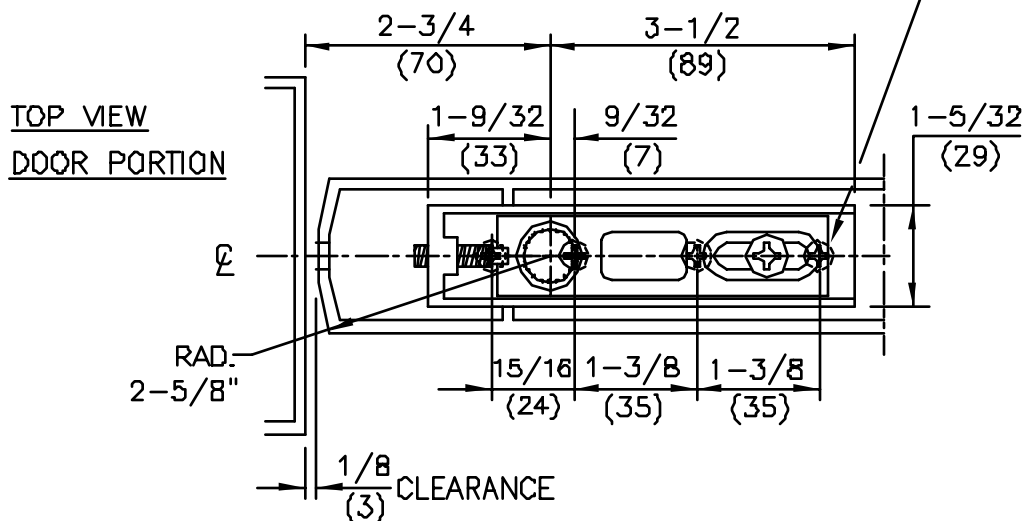
POSITION	STANDARD PIN	EXTENDED PIN
A	1/8"(3)	3/4"(19)
B	3/8"(10)	1"(25)
C	3/4"(19)	1-5/16"(33)



FOR 10-32 MACHINE SCREWS USE No.21 DRILL
FOR WOOD SCREWS USE No.29 DRILL
FOUR (4) HOLES FOR MOUNTING PIVOT



FOR 10-32 MACHINE SCREWS USE No.21 DRILL
FOR WOOD SCREWS USE No.29 DRILL
FOUR (4) HOLES IN DOOR

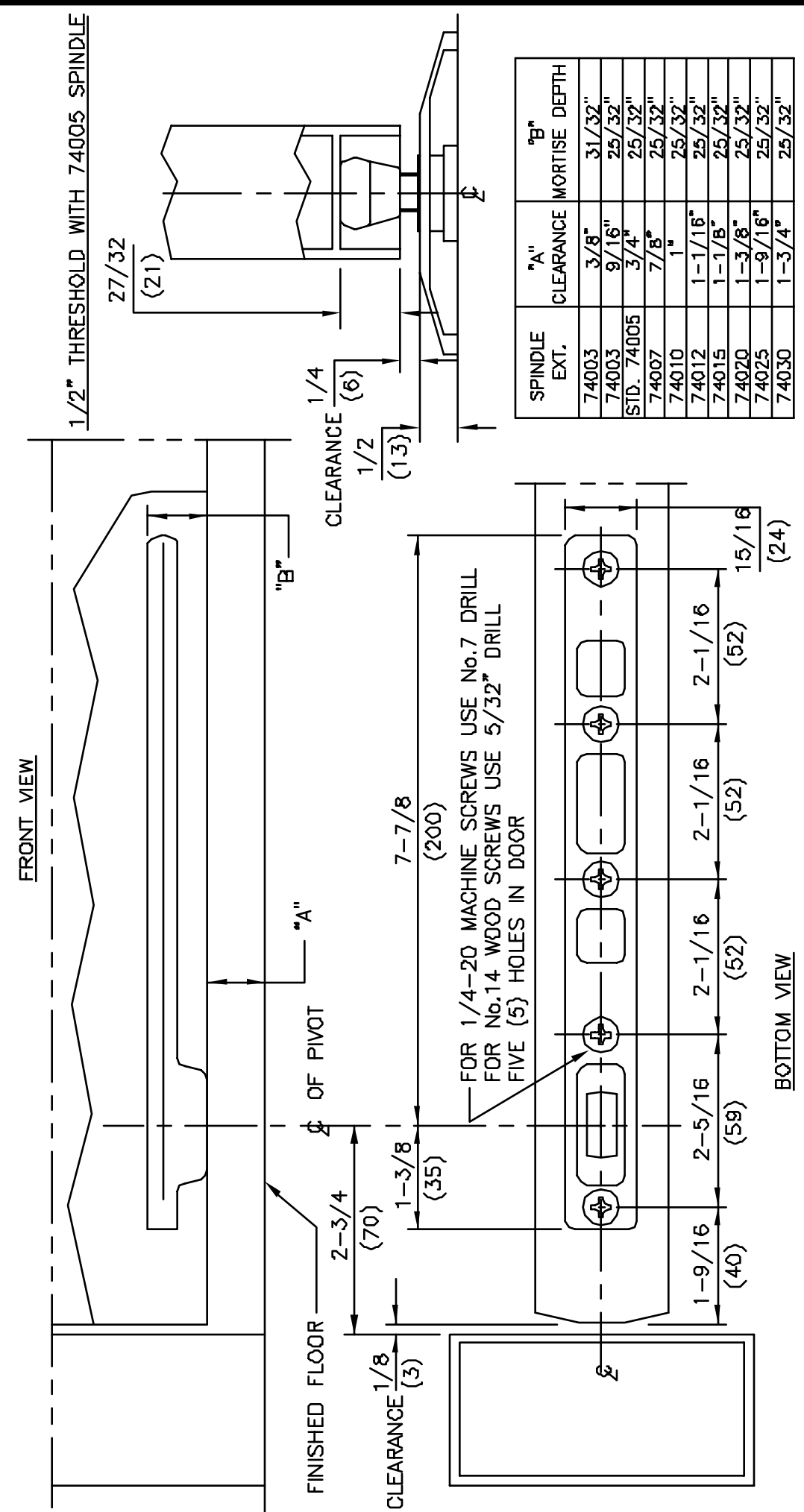


DORMA Architectural Hardware
REAVERTOWN, PENNSYLVANIA 17957
TEMPLATE No. LM-45



MODEL No. 8062, 8062 EXT PIN
CENTER HUNG TOP PIVOT

NOTES
 1. DO NOT SCALE DRAWING.
 2. DIMENSIONS ARE IN INCHES/(MM).
 3. ALL NECESSARY REINFORCEMENT FOR ARM BY OTHERS.



ITEM No. 7421
 CENTER HUNG BOTTOM ARM
 FOR USE WITH 7471HD FLOOR BEARING

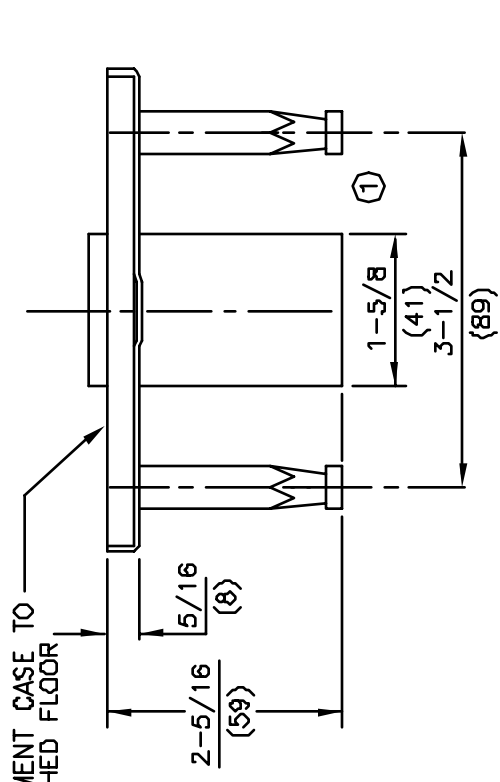
DORMA
 DORMA Architectural Hardware
 REAMSTOWN, PENNEY VANIA 7567
 TEMPLATE No. LM-65

ALWAYS CONSULT DORMA'S WEB SITE FOR LATEST TEMPLATE AT WWW.DORMA-USA.COM OR CALL 1 800 523 8483 3/00

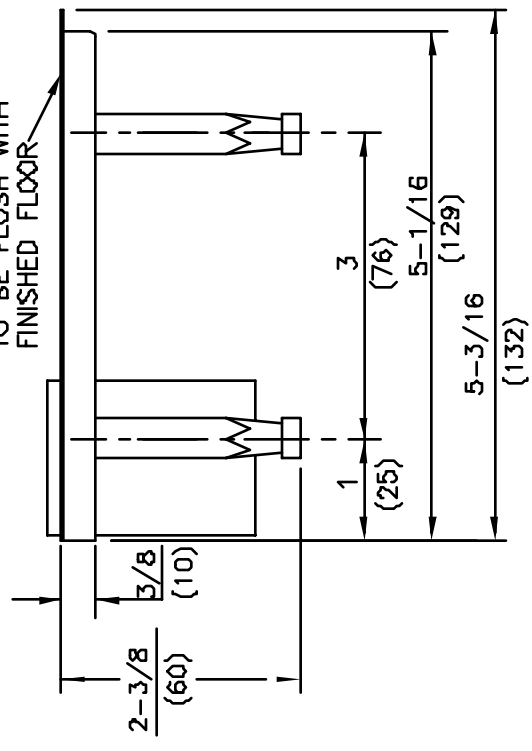
No.	REVISIONS	DATE
1	REVISED DIMENSION	4/24/00

- NOTES:
 1. DO NOT SCALE DRAWING.
 2. DIMENSIONS ARE IN INCHES\MM.
 3. RIGHT HAND DOOR SHOWN.

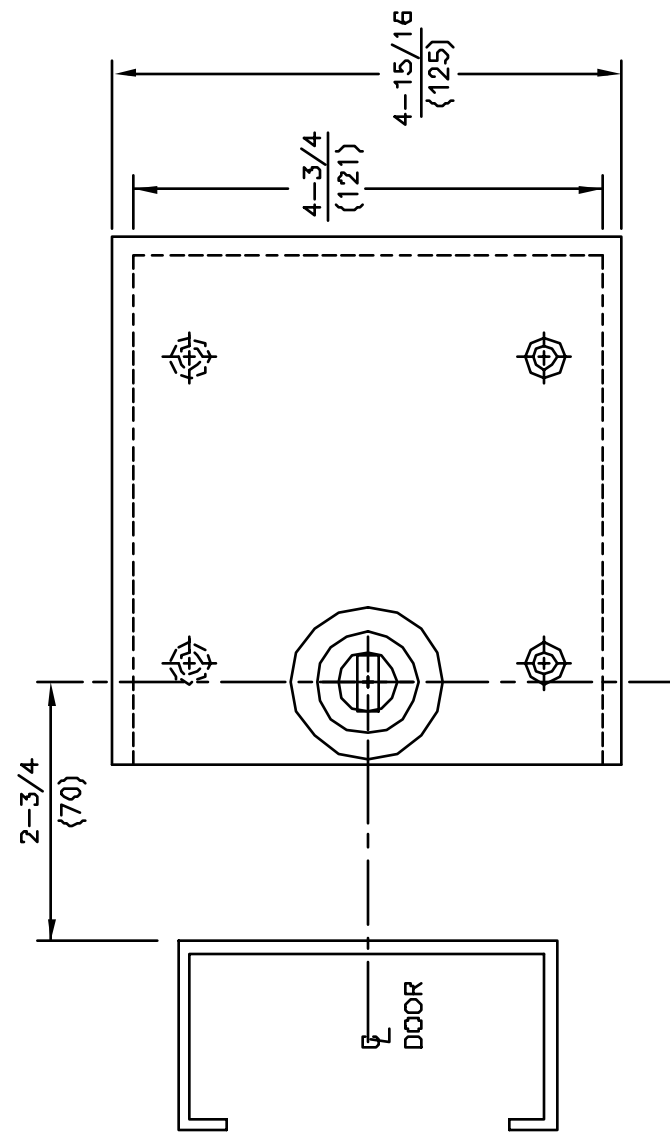
TOP SURFACE OF CEMENT CASE TO BE FLUSH WITH FINISHED FLOOR



WITH THRESHOLD
 BASE COVER PLATE TO BE FLUSH WITH FINISHED FLOOR



WITHOUT THRESHOLD



ITEM No. 7471HD FLOOR BEARING
 CENTER HUNG HEAVY DUTY FLOOR BEARING INSTALLATION
 FOR USE WITH 7421 BOTTOM ARM



DORMA Architectural Hardware
 REAMSTOWN, PENNEY VANIA 75687
 TEMPLATE No. LM-61 ①