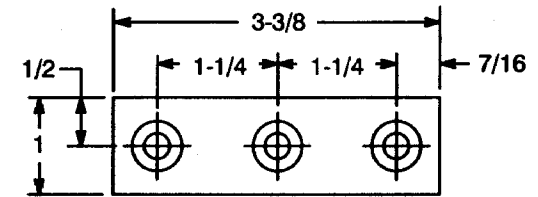
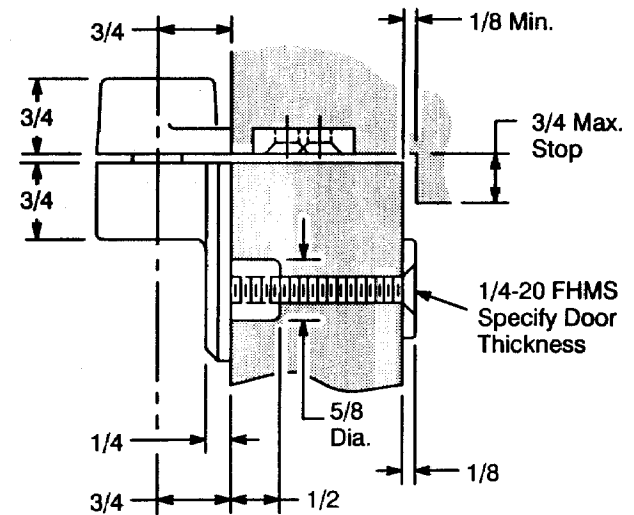


Notes:

1. Do not scale drawing.
2. Right hand shown.
3. All dimensions are in inches.
4. Template drawing for reference only.



BACK PLATE



**Top Pivot
280
3/4" Offset
Half Surface**

RIXSON™	
Rixson Specialty Door Controls	
www.rixson.com	
TEMPLATE NUMBER	DATE
TP40100	11-99