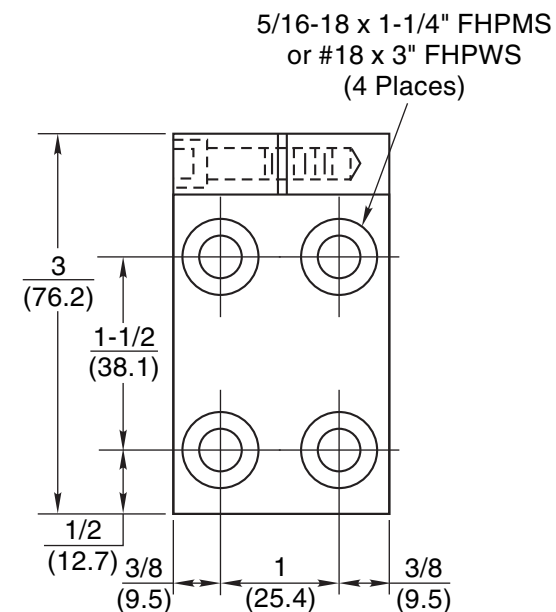
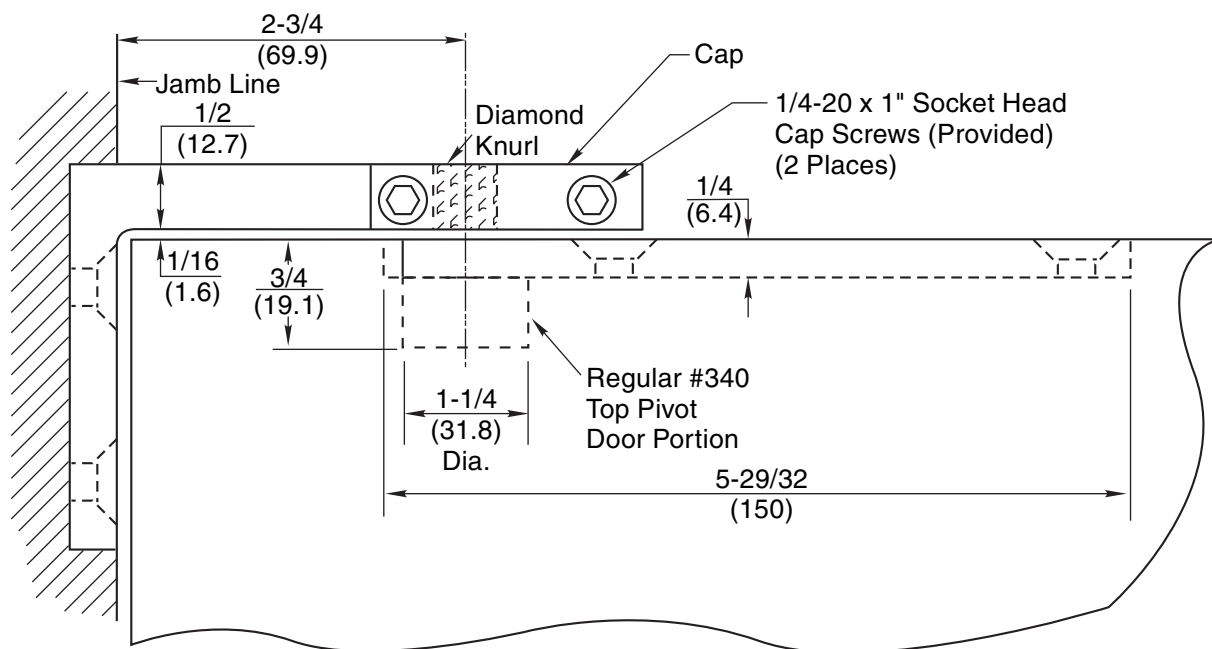


Notes:

1. Do not scale drawing.
2. Left hand shown.
3. When door is handed, push side of door must indicate whether door is inside or outside.
4. All dimensions are in inches (mm).



340 x Angle Pivot 3 Top Pivot

RIXSON

ASSA ABLOY

www.rixson.com

TEMPLATE NUMBER

TP40250

DATE

12-08