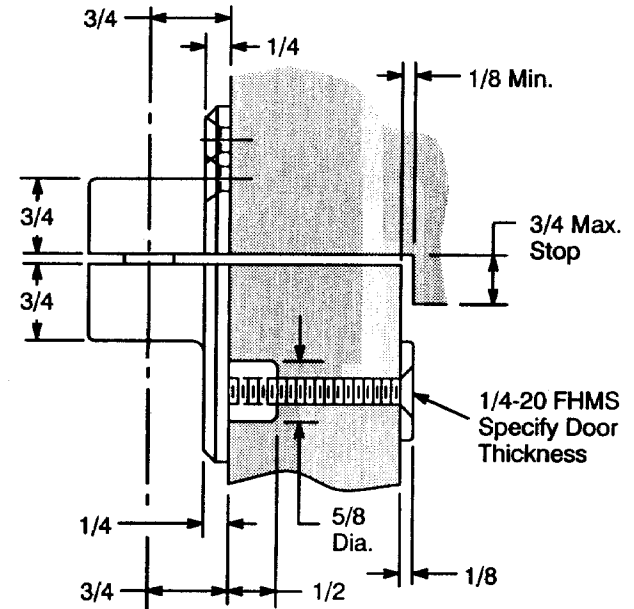


BACK PLATE



Notes:

1. Do not scale drawing.
2. Right hand shown.
3. All dimensions are in inches.
4. Template drawing for reference only.

**Top Pivot
480
3/4" Offset
Full Surface**

RIXSON™	
Rixson Specialty Door Controls	
www.rixson.com	
TEMPLATE NUMBER	DATE
TP40400	11-99