

# System One

Set with  $\geq 70$ mm Backset Top Pivot

FritsJurgens®

**SET INCLUDES :**

System One : Class G  
 Rectangular Floor Plate, Non-Adjustable / Finish : stainless steel  
 Standard Top Pivot,  $\geq 70$ mm Backset, Class G with 15mm spindle  
 Ceiling Plate : Class G (15mm spindle) / Finish : stainless steel  
 Mounting Kit : epoxy, hex keys, floor template  
 All Fasteners



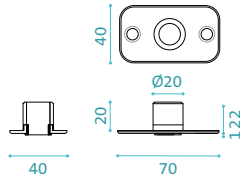
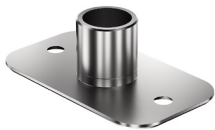
NOTES :

**SET CODE : ST.ONE.70.G.SN.SS**

## Ceiling Plate : 15 mm spindle

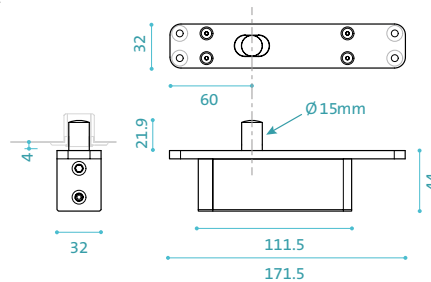
Component ID : CP.X.X.G.S.SS

dimensions in mm



## Top Pivot : TP-70, 15 mm spindle

Component ID : TP.X.70.G.X.XX



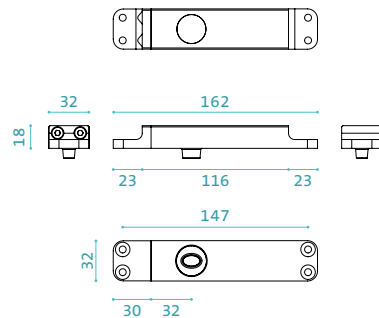
## System One

**FEATURES :**

- Free-swinging 360° operation
- No stops/holds
- No closer/damper function
- For doors up to 1,100 lbs
- Minimum door thickness : 1-9/16" (40mm)
- Minimum pivot point backset : 2-3/4" (70mm)
- Virtually no door width or height limit
- Axial/Plumb Adjustment  $\pm 5$ mm side-to-side
- EN 1670 - Class 5 Corrosion Resistance
- Maintenance-free
- Suitable for all door/frame materials

## Bottom Pivot : System One 70mm

Component ID : BP.ONE.70.G.X.XX



## Resources

DOWNLOADS



CONFIGURE YOUR PIVOT  
 FritsJurgens Selector [▶](#)

## Floor Plate : Rectangular, Non-Adjustable

Component ID : FP.M.X.X.SN.SS

