



Spring Pivots 7000 SERIES

7112 SURFACE PIVOT

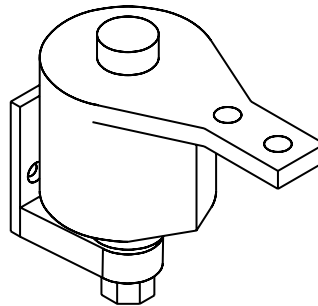
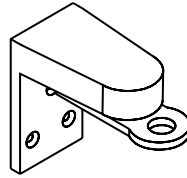
ANSI K63201

7122 MORTISE PIVOT

ANSI K63311

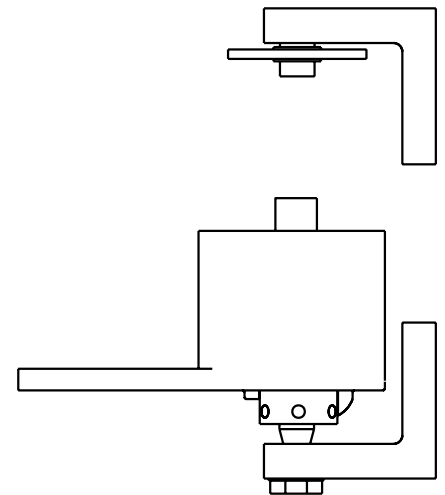
- CAST STEEL BASE
- DOUBLE ACTING
- BALL BEARING
- ADJUSTABLE SPRING TENSION
- NON-HANDED
- MAXIMUM DOOR SIZE AND WEIGHT
WIDTH - 36"
THICKNESS - 2 1/2"
WEIGHT - 75 lbs.
- FLAT DOOR BRACKET - FOR DOORS NOT
LESS THAN 1" THICK
- FLAT JAMB BRACKET - 1 1/4" WIDE
- STANDARD PACKAGING PER BOX
(1) PIVOT
(1) EA. JAMB & DOOR BRACKET
(1) 7890 TOP PIVOT ASSEMBLY WITH JAMB BRACKET
(8) No. 12 x 1 1/4" FLAT HEAD WOOD SCREWS
(2) No. 10 x 1" FLAT HEAD WOOD SCREWS

ADJUSTABLE SPRING TENSION



7112

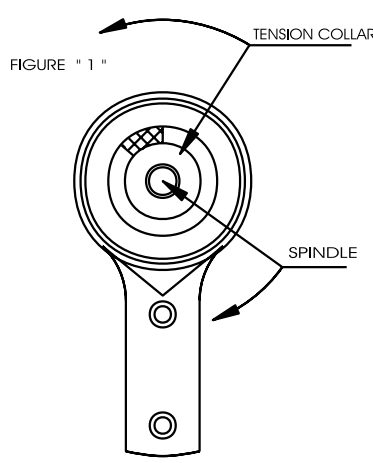
7122



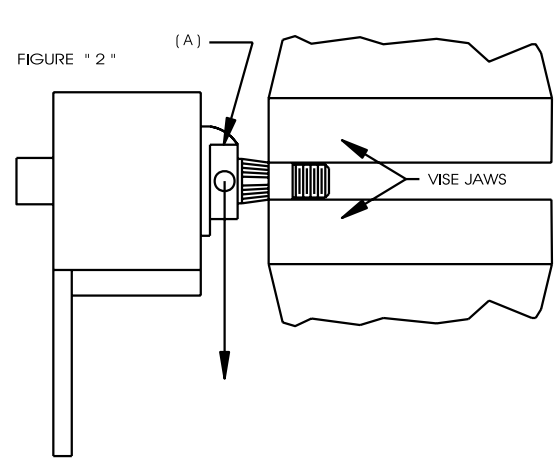
INSTRUCTIONS TO REACTIVATE 7100 AND 7300 SERIES PIVOTS

If a pivot fails to close the door in one or both direction, the unit can be reactivated as follows:

- (1) Remove pin from tension collar.
- (2) Remove the pivot from the door and bracket.
- (3) Viewing the pivot from the threaded end, (see figure "1") and with the mounting bracket toward you, turn the tension collar to the left (counterclockwise) until it comes to a stop. Hold the tension collar in this position while turning the threaded spindle to the right (clockwise) until it comes to a stop.
- (4) Place the threaded spindle in a vise, gripping it on the 1/2" Dia. (see figure "2") so the spindle is horizontal and mounting bracket is still toward you.



- (5) Place the tension rod in tension collar hole near the cover plate stop (A) and turn the collar toward you (counterclockwise) until spring tension is felt. Insert the tension pin into the hole in the tension collar close to the stop (A) on the cover plate.



- Pin must be inserted fully into the hole with the shoulder of the pin against the tension collar allow the spring tension to rotate the collar and tension pin toward the stop (A) until the pin contacts the stop. Reinstall on door.