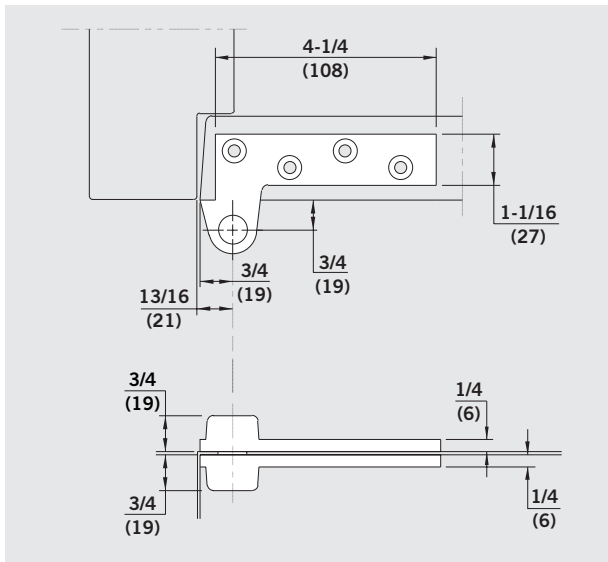


## 3/4" Offset Full Mortise

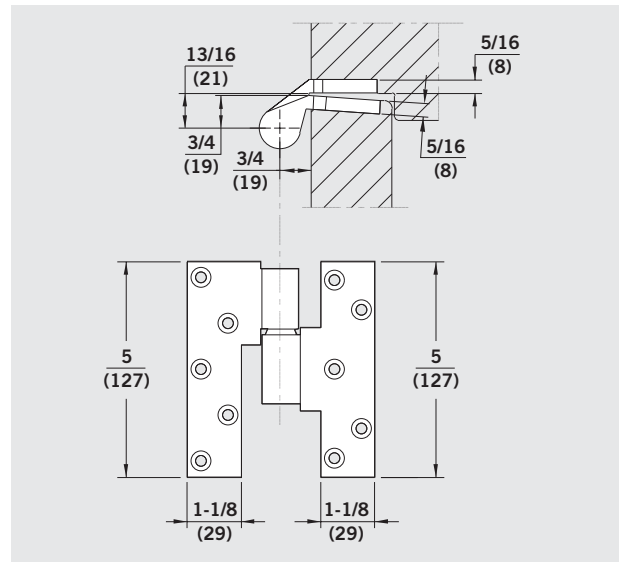


**No. 75120** — 3/4" offset standard brass top pivot.

**No. 75122** — 3/4" offset brass top pivot. U.L. listed for 20 minute rated fire doors.

**No. 75133** — 3/4" offset steel top pivot. For use on fire doors rated up to three hours.

**Note:** Standard pivots are non-handed and designed for flush door and frame conditions. For 1/8" inset pivots, add 5/8 suffix and hand, i.e. 75120 5/8 RH.

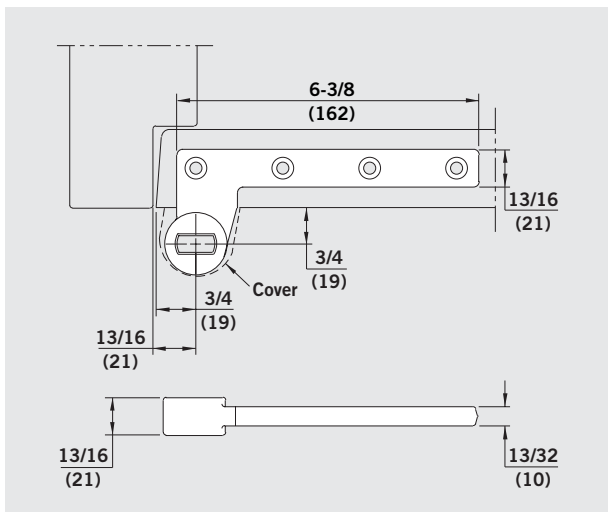


**No. 75220** — 3/4" offset standard brass intermediate pivot.

**No. 75222** — 3/4" offset brass intermediate pivot. U.L. listed for 20 minute rated fire doors.

**No. 75233** — 3/4" offset steel intermediate pivot. For use on fire doors rated up to three hours.

**(Specify Hand)**



**No. 75323** — 3/4" offset standard steel bottom arm.

Can also be used on fire doors rated up to three hours.

For use with 7471K and 7471HD floor bearing.

**(Specify Hand)**