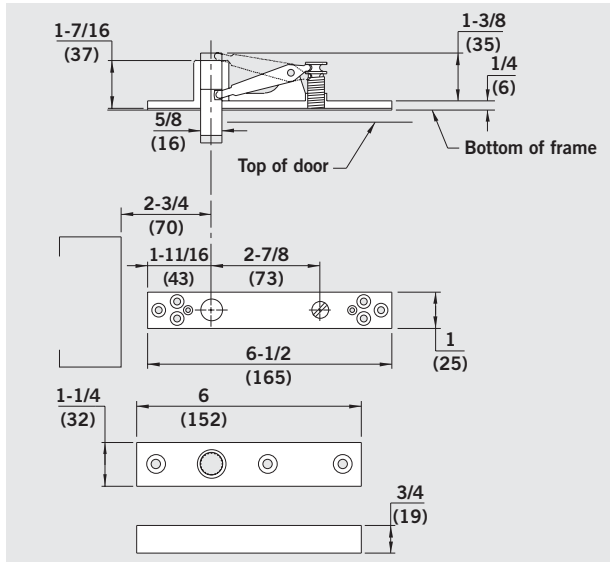
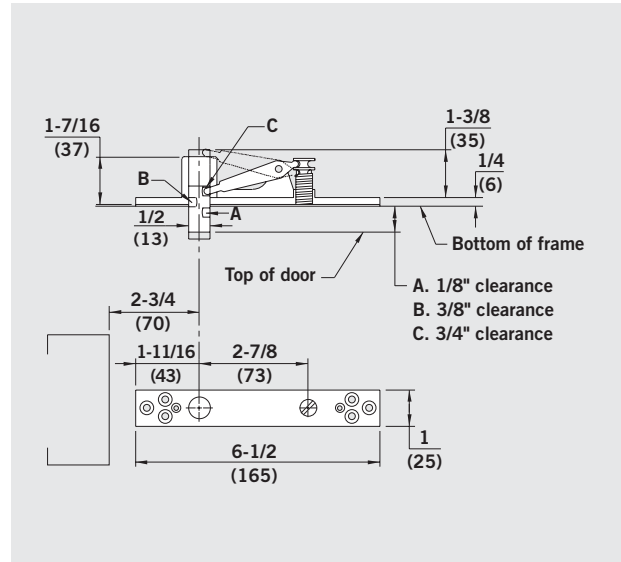


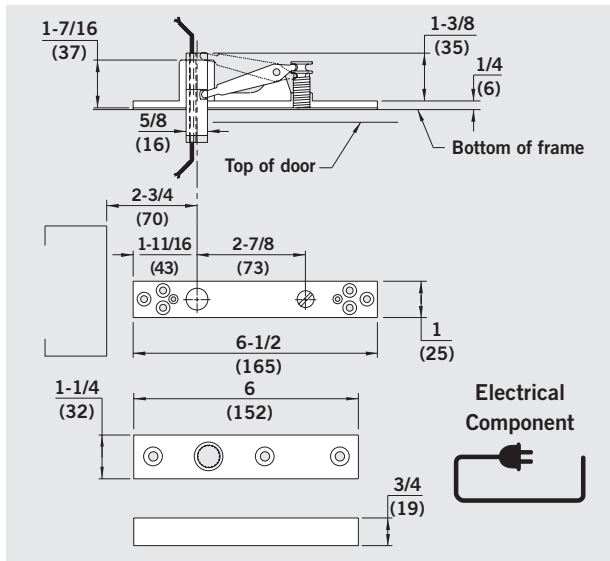
Center Hung



HD8062 — Heavy-duty walking beam top pivot with frame portion and cover plate. Door portion consists of a needle bearing pressed into a 3/4" thick aluminum block. Adjustable to obtain a 1/8"–3/8" clearance between the door and frame. Required when using overhead stops/holders.



8062.5 — Walking beam top pivot frame portion with cover plate. Pin has a 1/2" diameter.



E8062 — Electrified walking beam top pivot for power transfer. Available in a two wire and four wire design using #18 AWG. Both designs provide a maximum of 6 A at 24 V. Specify number of wires required.

Miscellaneous Center Hung Accessories:

8062 EXT PIN — Pin only for standard 8062 pivot. Increases clearance to 3/4", 1", or 1-5/16".

8062.6 — Frame portion only for the standard 8062 pivot.

8062 LOWER — Door portion only for the standard 8062 pivot.

8062 COV — Cover only for frame portion of the standard 8062 pivot.