



Overhead Concealed
Door Closer

DORMA RTS88



Invisible Door Control... Dependable and Easy to Install

Architects are often challenged to design buildings that are both beautiful and functional, down to the last detail. The DORMA RTS88 overhead concealed door closer offers the perfect solution for those who prefer the aesthetic advantages of a concealed door closer.

The RTS88 is designed to give lasting, dependable service where surface applied units and other types of closers are not suitable, or would interfere with the architectural design. It can be easily installed in wood, aluminum, or hollow metal doors and frames, for single and double-acting doors. Contractors appreciate the RTS88 closer, because the majority of door and frame preparation is done prior to installation of the unit, resulting in less on-site machining. The RTS88 is also an excellent replacement closer for problem entrances.

The RTS88 Series overhead concealed door closer has a compact body size which fits into a 1-3/4" x 4" header for aluminum frames and is also easily adaptable to wood and hollow metal frame configurations.

Openings fitted with the RTS88 are capable of 90° or 105° maximum opening door swing, trim conditions permitting. Sweep and latch closing speeds are controlled by two noncritical temperature compensating valves to insure constant closing speeds even under the most extreme temperature conditions. A built-in pressure relief valve protects the closer from abuse due to forced closing. A positive stop at 90° or 105°, depending on the model selected, combined with a mechanical backcheck, hinder the forceful or abusive opening of the door and help protect the door, frame, and adjoining structure.

Always use an auxiliary stop in conjunction with RTS88 installations.

The RTS88 is capable of accommodating doors weighing up to a maximum of 250 pounds. The closer can handle exterior doors up to a maximum 3'-6" width and interior doors up to a maximum 4' width.

A complete line of accessories is available for wood, aluminum, and hollow metal applications, both single and double-acting center hung doors, and hinged or offset pivoted single-acting doors.

Other accessories include cover plates for wood, aluminum, and hollow metal frames and extended spindles for increased clearances at the top of the door. Optional hold open units are available, effective at either 90° or 105°.

Specifications:

DORMA RTS88 Series overhead concealed door closer for both single and double-acting doors. The RTS88 will consist of a steel cam, rollers, and springs housed in a compact cast iron body. Closers will be capable of being installed in minimum 1-3/4" x 4" headers. RTS88 will have maximum door opening to 90° or 105°, trim conditions permitting. Sweep and latch speed will be controlled by two noncritical adjustment valves from 90° or 105° to closed. Built-in pressure relief valve will protect the closer from abuse caused by forced closing. A mechanical backcheck combined with a positive stop at 90° or 105° will be provided to protect the door and frame. The RTS88 closer will be available with hold open at 90° or 105°, or without hold open. The RTS BFI and BFE are available with 105° hold open only. Optional extended spindle will be available in 3/16" integral length or 1-3/16" add-on length. Accessories will be available for single and double-acting doors as well as independently hung installations for wood, aluminum, and hollow metal doors and frames.

Cover Plate Finishes (Steel or Wood Frame):

Standard Sprayed Finishes:

Aluminum: 689.

Bronze: 691 (Dull), 690 (Statuary), or 695 (Dark Duranodic).

Gold: 696.

Black: 693.

Optional Plated Finishes:

Brass: 605 (Bright) or 606 (Satin).

Bright Bronze: 611 (Bright), 612 (Satin), or

613 (Oxidized Satin Oil Rubbed).

Nickel: 618 (Bright) or 619 (Satin).

Chrome: 625 (Bright) or 626 (Satin).

Cover Plate Finishes (Aluminum Frame):

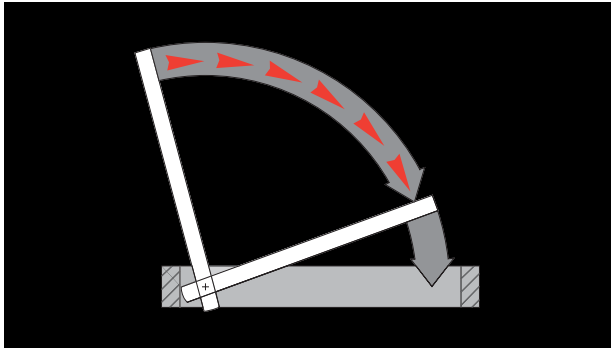
Standard Sprayed Finishes:

Aluminum: 689.

Bronze: 695 (Dark Duranodic).

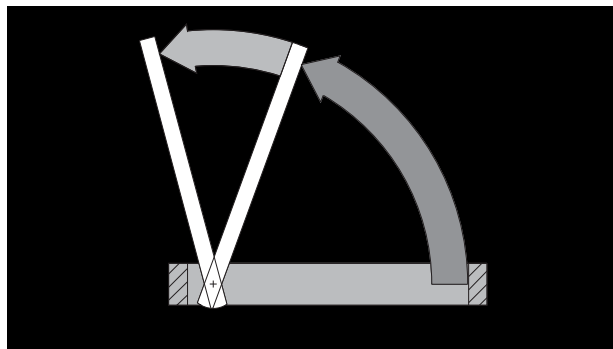
Black: 693.

Warranty: 10 Years.



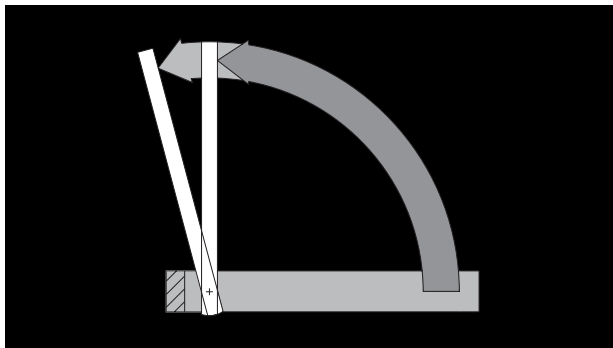
Dual Speed Closing

Sweep and latch closing speeds are controlled by two non-critical adjustment valves. Sweep area is from 105° to 20°. Latch area is from 20° to 0°.



Backcheck

A mechanical backcheck slows down the door prior to contact with the positive stop.



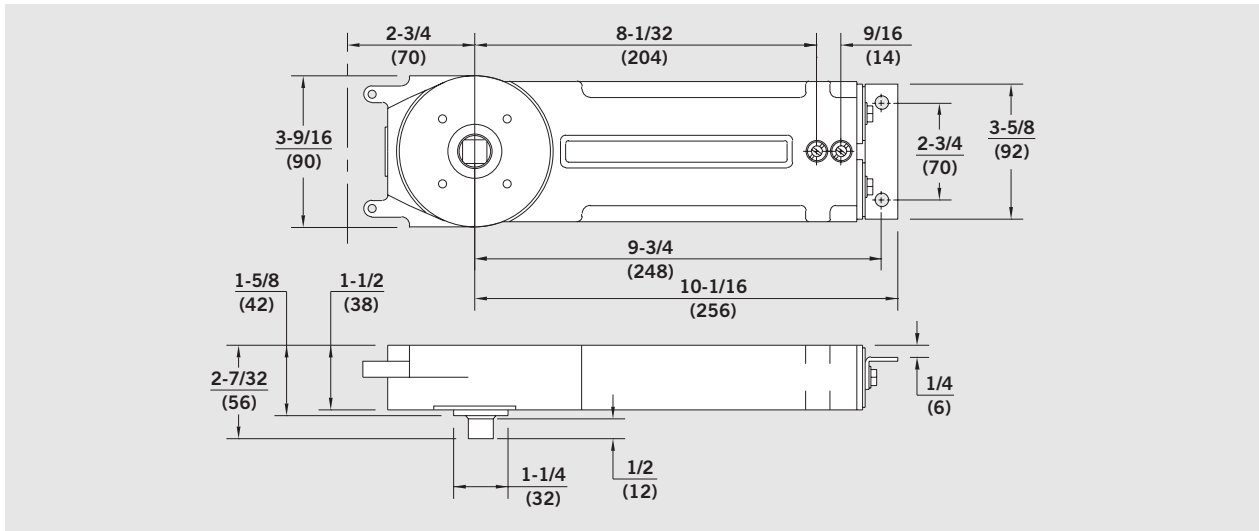
Positive Stop

An integral positive stop is available at 90° or 105°.

The RTS88 BFI and RTS88 BFE will meet barrier-free requirements on 3'-0" wide center hung single or double-acting doors. The RTS88 BFI meets the 5 lb maximum opening force requirement for interior barrier-free openings. The RTS88 BFE meets the 8.5 lb maximum opening force requirement for exterior barrier-free openings. They are suited for easy retrofit of Jackson, Rixson 608, and similar style closers. The RTS88 BFI and RTS88 BFE are available in 105° NHO and 105° HO only.

Technical Details

- Compact closer body is designed to fit into headers as small as 1-3/4" x 4".
- Closer body is non-handed.
- One closer for both single-acting or double-acting doors.
- Accommodates a maximum door weight of 250 lb.
- A pressure relief valve protects closer from damage caused by forced closing.
- An integral positive stop limits door swing to 90° or 105°. An auxiliary stop should always be installed in conjunction with RTS88.
- A mechanical backcheck slows down the door prior to contact with the positive stop.
- Closing speeds are controlled by two non-critical adjustment valves. Sweep area is from 105° to 20°. Latch area is from 20° to 0°.
- Thermostatic valves insure constant closing speeds under varying temperatures.
- The standard RTS88 is furnished without hold open. Optional single point mechanical hold open is available at 90° or 105°.
- The RTS88 BFI and RTS 88 BFE are available in 105° NHO and 105° HO only.
- The RTS88 offers a cast-iron body along with heavy-duty ball bearings at the spindle.
- Steel cam and roller assembly is coupled to dual steel pistons.
- Mounting brackets are available to install closer into aluminum or wood headers.
- Packages are available for side load, end load, and offset slide arm applications. For independently hung doors with 8812 slide arm, the maximum degree of opening and hold open angle may vary slightly.
- No. 8532 steel header mounting channel is specifically designed to install the RTS series closer into open-throat steel header sections. Normally, the mounting channel is installed in the header prior to shipment to the job site.
- No. 8521E add-on spindle extension is available for special applications where additional clearance is required between the closer body and the door.
- Cover plates are available for virtually any type header material.
- No. 8820J conversion bracket is available for replacement of existing overhead concealed closers with the RTS88.
- The RTS88 is manufactured to conform with the requirements of ANSI A156.4.



Size Selector Chart RTS88 Series

Maximum Door Width		Closer Size
Interior	Exterior	
to 3'-0"	to 2'-6"	*2
over 3'-0" to 3'-6"	over 2'-6" to 3'-0"	3
over 3'-6" to 4'-0"	over 3'-0" to 3'-6"	4

* Size (2) is available for 90° deadstop or deadstop/hold open only. For 105° applications, substitute the RTS88 BFE for the door ranges shown.

Note: The listed door widths and recommended sizes are for average conditions. In the case of tall or heavy doors or where doors are subject to wind or draft conditions, the larger closer should be selected.

Size Selector Chart RTS88 BFI/BFE

Door Width		Barrier-Free Closer
Interior	Exterior	
3'-0"	—	RTS88 BFI *
—	3'-0"	RTS88 BFE *

- Meets 5 lb interior or 8.5 lb exterior maximum opening force on 3'-0" wide center hung doors.

* Available for 105° dead stop or dead stop/hold open only.

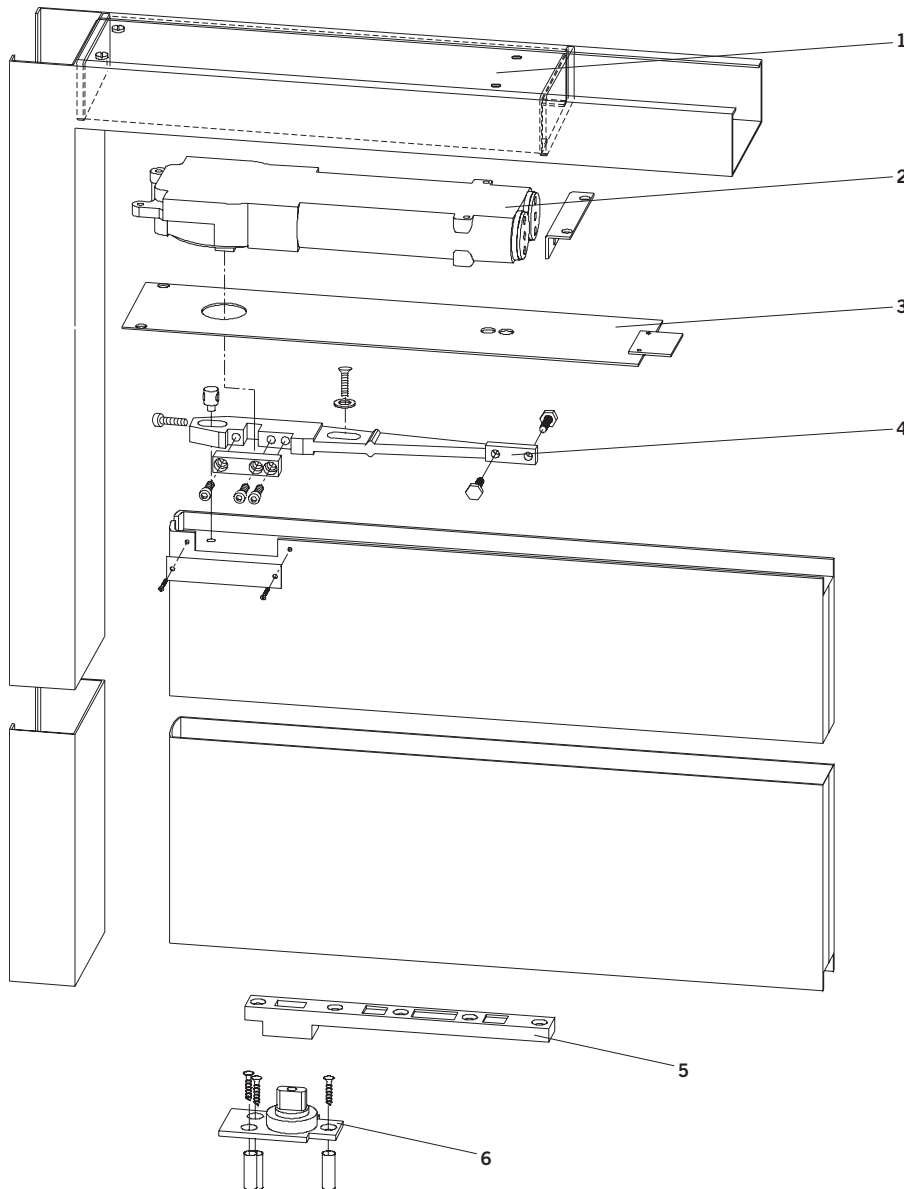
Note: Although DORMA RTS88 BFI/BFE Series closers comply with barrier-free opening force restrictions, adequate control can not be guaranteed during compliance of these restrictions.

Comparison Chart RTS88 Series

DORMA	JACKSON	RIXSON	LCN	Dor-O-Matic
RTS88 Side Load	101-BE	608SL	6030CP	12000, 22000 13000, 23000 14000, 24000
	101-BF			
	101-GE			
	101-PV			
	101-U			
	101-V			
	101-S			
RTS88 End Load	101-AP	608EL	6030CP	12000 13000 14000
	101-AE			
	101-PE			
	101-P			
	101-PA			
	101-T			
RTS88 Offset Slide Arm	201-A4	0608	2030	22500
	201-P	0700		23500 24500

Since no products are exactly alike, the data on this chart represents our judgement of which products are most similar. Information has been obtained from trade sources. It is not guaranteed nor represented that any specific product exactly equals any other product.

Side Load — Double or Single-Acting Steel Door and Frame



Package RTS-03

Package RTS-03 contains all of the components required to install an RTS closer in a steel header.

Components: RTS-03

1. No. 8532 closer mounting channel
2. RTS Series closer
3. No. 8575 cover plate
4. No. 8831 top arm
5. No. 7421 bottom arm
6. No. 7471K floor bearing