

FritsJurgens®

SYSTEM M

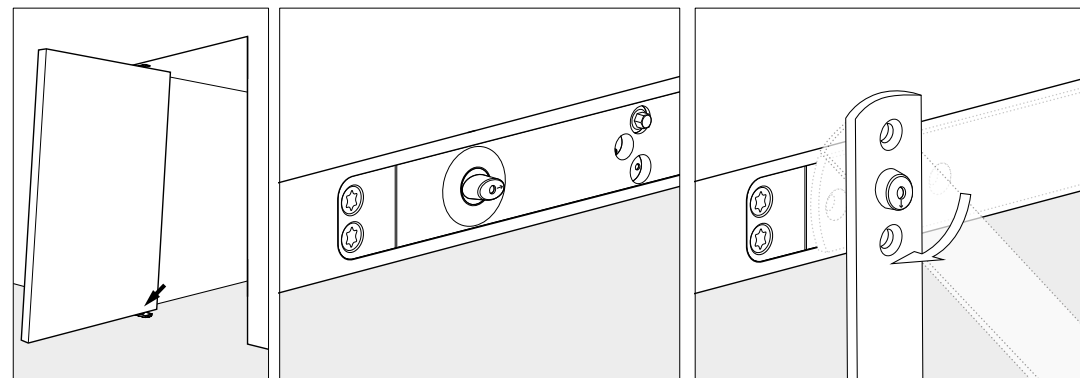
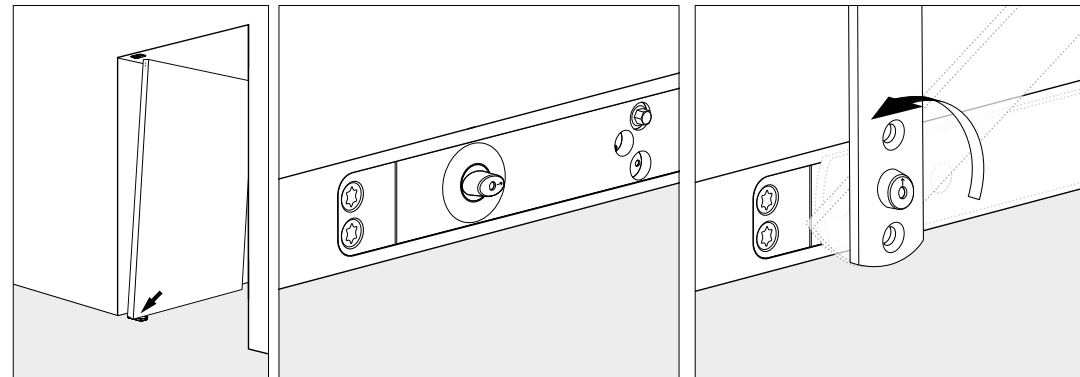
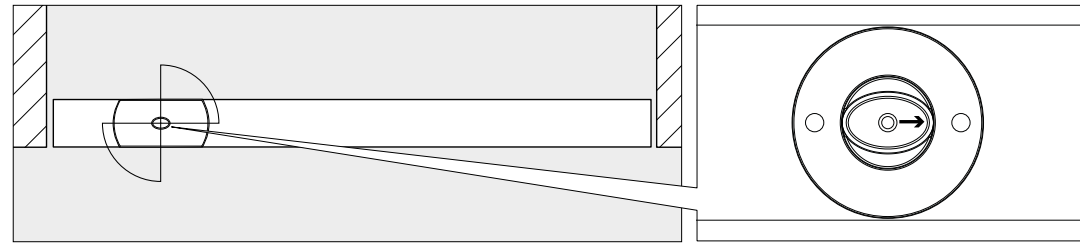
AXLE WRENCH

When installing a door fitted with System M, it is very important that the door is installed in its open position.

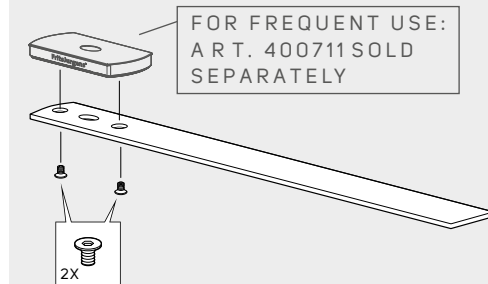
This can be accomplished by using the Axle Wrench to rotate the oval spindle in the bottom of the System M 90 degree, pointing the arrow toward the direction the door will be opening (0° position).

In case of frequent use it is possible to mount the floor plate (art. 400711) on the Axle Wrench.

FOR TURNING THE SPINDLE



ORDER INFORMATION



ART. 500503
SYSTEM M AXLE WRENCH
INCLUDES:
- 1x AXLE WRENCH
- 2x M6 FIXING SCREWS

OPTION FOR FREQUENT USE
ART. 400711 FLOOR PLATE

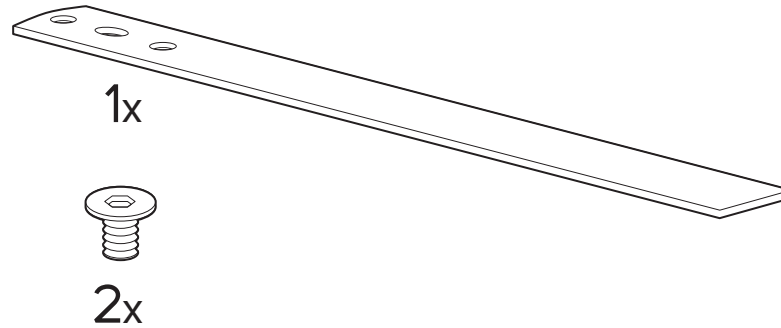
Fritsjurgens®

SYSTEM M
AXLE WRENCH

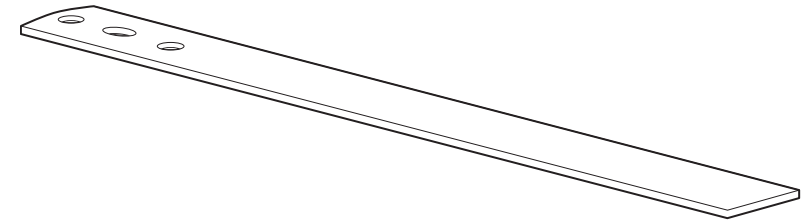
ART.500503

FRITSJURGENS
+31 598 343 410
INFO@FRITSJURGENS.COM
WWW.FRITSJURGENS.COM

PRODUCTS INCLUDED:



READY FOR USE



OPTION IN CASE OF FREQUENT USE

