

## Model 127-3/4

### Application

- Interior Doors
- Weight to 200 lbs.
- Door Sizes up to 3'6" x 8'6" (1067 x 2591mm)
- Non-handed

### Product Description & Features

- 320 top pivot included
- Bottom pivot mortised into side jamb
- Weight of door borne by floor
- Pivot point centered in thickness of door
- Door must have radius on pivot edge
- Not allowed for use on labeled doors and frames
- Pivot point remains constant at 1-1/4" (32mm) from the edge of the door
- Furnished with wood and machine screws

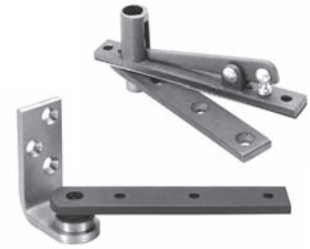
### Optional Features

- Available with extended spindles in 1/2" (13mm) increments up to 2" (51mm) longer than standard

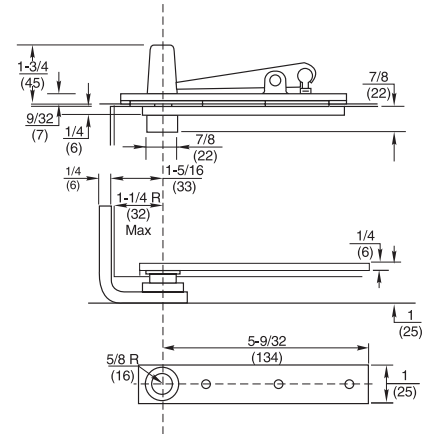
### Compliance

- ANSI/C07042

Center hung pivots are door hanging means only. To close doors, see floor closer sections of the catalogs.



### Technical Information



## Model 128-3/4

### Application

Identical to the 127-3/4 except

- Weight to 250 lbs.

### Features

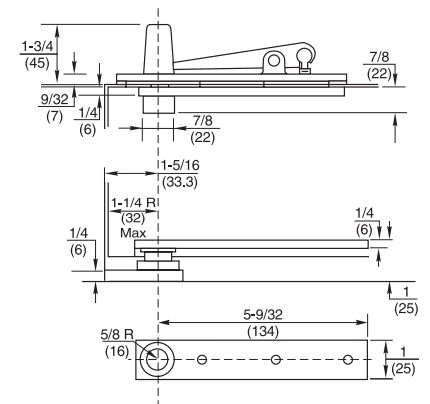
- Bottom pivot mounts directly to floor

### Compliance

- ANSI/C07032



### Technical Information



**RIXSON**  
**ASSA ABLOY**

Experience a safer  
and more open world