

Model 173

Application

Interior Doors

Weight 150 lbs

Door Sizes up to 3'0" x 8'0" x 1-3/4"

Handed



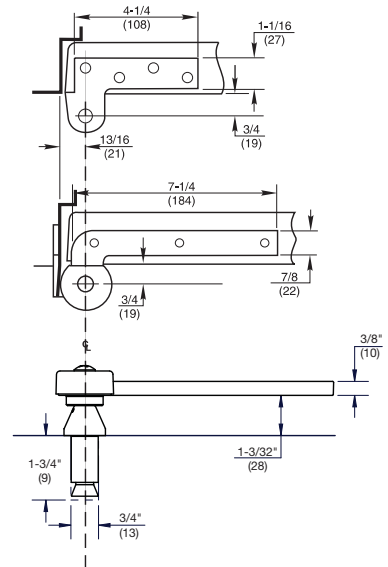
BHMA/ANSI : C07162\C07202

Product Description & Features

- Standard top pivot 180 included
- 119 intermediate pivot recommended for all doors over 6'8" (order separately) see page 136
- Bottom pivot mounts directly to concrete floor
- Uses same arm and cap as 117 pivot set
- Non-ferrous base metal
- 3/4" offset only (*measured from centerline of pivot to face of door*)
- Available for 1-1/2" (38mm) offset (*door weight 100 lbs*) for doors with cladding or frame molding
- Door edges must be beveled 1/8" in 2"
- Furnished with wood and metal screws
- 3/8" vertical adjustment
- No spindle extensions available
- Door will swing 180°, trim permitting

Technical Information

Frame stop required



Model 147

Application

Exterior or Interior Doors

Weight to 600 lbs.*

Door Width up to 4'0" (1219mm)

Handed



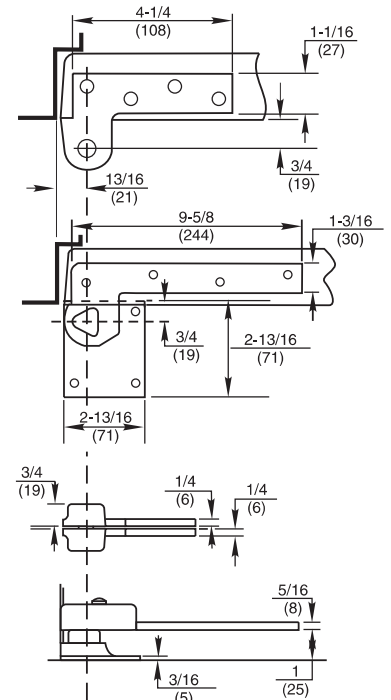
BHMA/ANSI NO: C07162
C07202

Product Description & Features

- Standard top pivot 180 included
- M19 intermediate pivot required (*order separately*); see page 136
- Bottom pivot mounts directly to floor
- Uses same arm and cap as 27 floor closer
- Available for fire door assemblies up to three hours (*ferrous material*) – specify F147. Intermediate pivot required by UL. Specify FM19 (*order separately*), see page 136
- For 20-minute label suffix “-20” to the part number
- Non-ferrous base material
- Doors up to 90" (2286mm) in height should use one intermediate pivot. Each additional 30" (762mm) of door height warrants another intermediate pivot
- 3/4" (19mm) offset (*measured from centerline of pivot to face of door*)
- Available for 1-1/2" (38mm) offset (*door weight 350lbs.*) for doors with cladding or frame molding
- Door edges must be beveled 1/8" in 2"
- Furnished with wood and machine screws
- Extended spindles available in 1/2" (13mm) increments up to 2" (51mm) longer than standard
- Doors will swing 180°, trim permitting

Technical Information

Frame stop required



* Door size & weight guidelines are determined using the appropriate number of intermediate pivots