

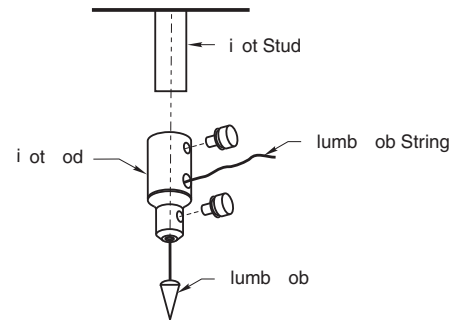
**2604/2608 Pivot/Closer Alignment Tool**



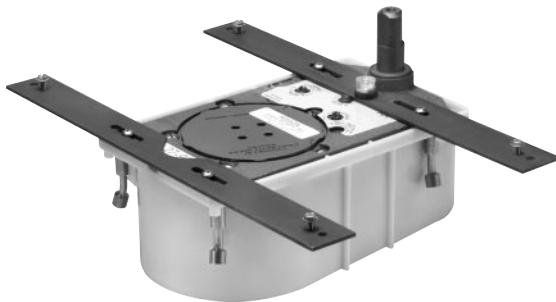
**Application**

- Reusable tool ensures proper alignment of top and bottom pivot or closer
- May be used for offset or center hung installations
- Plumb line and bob not included
- Can be reused for future/additional installations
- For H340 and H345 top pivots use part number 2608

**Technical Information**



**1859001 Quickspotter**



**Application**

Metal straps are attached to the closer to suspend it during setting. Locator indicates proper placement of spindle. The level ensures a leveled installation.

- Spindle locator plate (*for offset and center hung installations*)
- 2 spotter straps with leveling screws
- Bubble level
- May be used on Models 27, 28, 30, 40
- Can be reused for future/additional installations
- For Q27 specify model 1859501 Quickspotter

**1855051 Quickspotter**



**Application**

Metal straps are attached to the closer to suspend it during setting. Locator indicates proper placement of spindle. The level ensures a leveled installation.

- Spindle locator plate (*for offset and center hung installations*)
- 2 spotter straps with leveling screws
- Bubble level
- May be used on models 50, 51, and 53
- Can be reused for future/additional installations

Door Control  
Accessories