

# ELECTROMAGNETIC DOOR HOLDER/RELEASES FLOOR MOUNTED

**RIXSON®**  
**ASSA ABLOY**

## MODEL 981M

### Application

- Floor mount
- 2 back-to-back doors
- Shipping weight: 4-3/4 lbs. (2.2 kg)



### Features

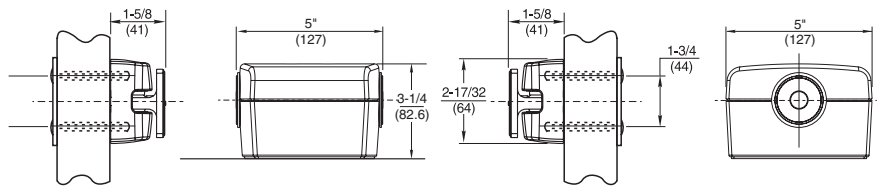
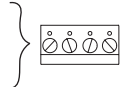
- Concealed wiring
- Floor space required: 8-1/4" (210mm)
- Mounting requirements: conduit connects directly to floor plate
- 2 year limited warranty

### Compliance

- ANSI/C00031

### Electrical Data

- Voltage and current:
  - 120VAC, 60Hz., .040 amp
  - 24VAC/DC, .040 amp
  - 12VDC, .080 amp
- For 50-55 lbs. of holding force, specify voltage
  - 120VAC, 60Hz .034 amp
  - 24VAC, 60Hz .016 amp
  - 24VDC, .036 amp
  - 12VDC, .360 amp
  - 240VAC, 50/60Hz. .018 amp



INTRODUCTION

---

Rixson offers a wide range of electromagnetic door holders/releases. Designed for virtually any remote door release application, electromagnetic door holders/releases primarily hold fire doors open until released by an alarm or smoke detector.

Floor mounted units are available for single or back-to-back doors. Wall mounted units feature concealed or surface wiring, low profile projection or high hold force.



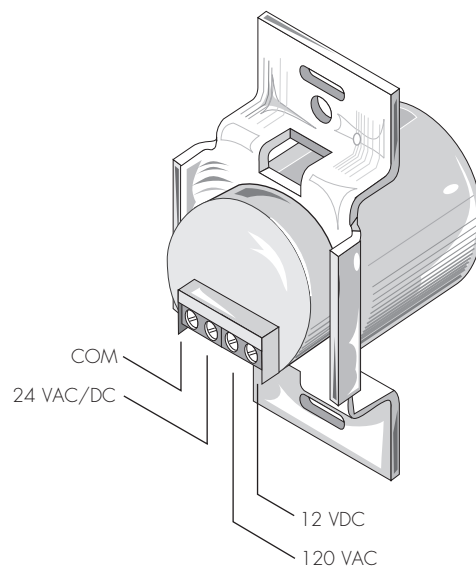
### GENERAL INFORMATION

Electromagnetic door holder/releases are designed for virtually any remote door release applications. They must be used in conjunction with closing devices.

- Fire/smoke barrier doors
  - Door releases when tripped by an alarm or smoke detector
- Private offices
  - Door releases when triggered by a remote switch
- All devices come with a wall/floor portion and a door portion (armature)
- Circuit normally closed
- Door portions have screws and plates to accommodate surface and concealed mounting

#### Features

- 25 to 40 pounds holding power, except where noted
- Fail-safe operation; power failure releases door to close
- Positive release button initiates closing motion
- Tri-volt coils on most models see [table 1](#)
- Spotting template included
- For stronger holding forces (50-55 lbs.) specify model and voltage. Not available in tri-volt coils



### CERTIFICATIONS

- Compliant with ANSI/BHMA A156.15 Standards. See individual products for sub sections
- UL/ULC listed
- Listed by California State Fire Marshal

### SPECIFICATIONS

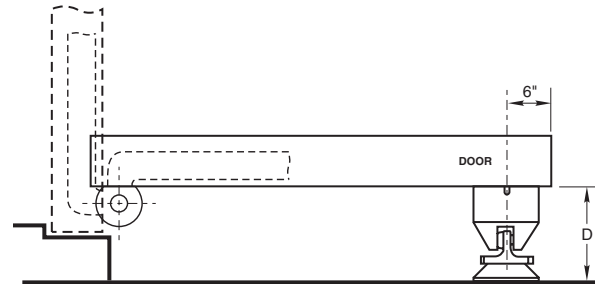
All electromagnetic door holder/releases shall be supplied by architectural hardware supplier. All units shall have a single coil to accommodate 12VDC, 24VAC, 24VDC and 120VAC. The coils shall be independently wound, employing a fuse. Armatures will have positive release button.

Prior to determining the product you will need to use, begin by looking at the door and perpendicular wall relationship.

- Measure the distance. That will give you the "D" dimension. Select from chart A.

CHART A

| If the distance from wall to door is: "D" | Use           |
|---|---------------|
| 7/16" (11)                                | 989           |
| 1-13/16" (46)                             | 990M          |
| 2-5/8" (67)                               | 997M          |
| 3-5/8" (92)                               | 998M          |
| 3-3/4" (95)                               | 994M          |
| 4-1/8" (105)                              | 996M          |
| 4-3/8" (111)                              | 999M          |
| 5-1/8" (130)                              | 998M x XK996M |
| 6-5/8" (168) min. distance from wall      | 980M          |
| 6-3/4" distance between doors             | 981M          |



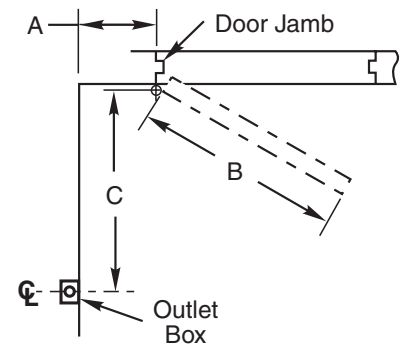
900 base has a minimum: 1-1/2" (38mm) extension.  
Maximum: 10" using combination of spacers [1/2" (13mm), 3/4" (19mm), etc.] Longer armature projections may encourage abuse and/or the weight of the extended rods will pull off the face of the door.

CHART B

Junction box location should always be as close as possible to the door pull/lever/knob.

A position horizontally farther toward the hinge edge will dramatically lessen the hold open force of the magnet.

A mounting too high on the vertical plane (top of door) will make it more difficult to pull out of hold open.



Refer to Diagram B

- How far is the centerline of the pivot/hinge from the wall? "A" dimension
- What is width of door? "B" dimension
- At what degree is the door opening? If this dimension is more than 100° consult template.  
The armature has a few degrees of adjustment but, before proceeding verify with the product template
- Dimension "C" is from pivot point to junction box centerline