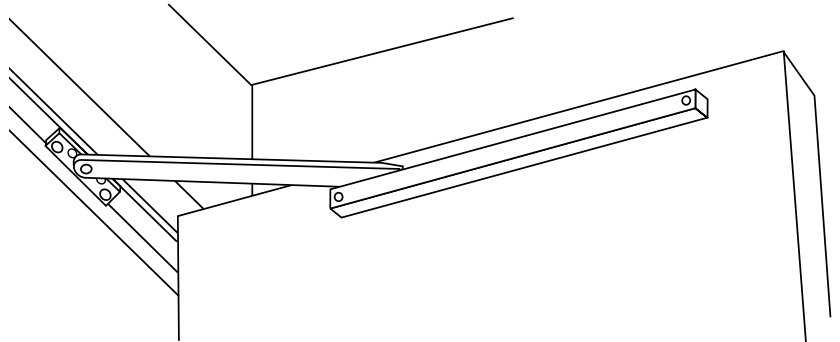


## Surface Mount – Interior – Medium Traffic Doors

### Product Description & Features

- Single acting doors
- Non-handed
- Slide track design
- Recommended for medium traffic, medium weight doors
- Degree of opening fully adjustable and can be adapted to changing needs
- Heavy shock absorber spring provides compression before deadstop
- Can be ordered specifically as a stop, friction stay, or hold open.
- Multi-function unit is shipped as a stop. Can be converted to a hold open or friction in field. 5012-PKG (Adapter kit) included
- Complete screw packet with thru-bolts for door, wood and machine screws for frame
- Torx® screws optional for security applications, but heavy-duty units should be considered for high-security applications
- Standard architectural finishes
- Durable slider cam and shock block
- 110° maximum opening
- 3/4" square channel
- Stop function UL listed for fire door assemblies
- For pull side mounting or flush and rabbeted mounting on push side use angle jamb bracket adapter 5258
- Hanging means other than standard butts or offset pivots require special templating and pricing. Consult factory



Checkmate®  
Stops & Holders

### Door Opening Chart (in inches)

Butts Offset Pivots	Center Hung Pivots	Model Number			
		Friction	H.O.	Stop	Multi
*18 - 24	21 - 26-1/2	10-116	10-126	10-136	10-146
24-1/16 - 30	26-9/16 - 32	10-216	10-226	10-236	10-246
30-1/16 - 36	32-1/16 - 38	10-316	10-326	10-336	10-346
36-1/16 - 42	38-1/16 - 45	10-416	10-426	10-436	10-446
42-1/16 - 48	45-1/16 - 48	10-516	10-526	10-536	10-546

\*Butt hung only on this size door. No swing clear hinges.

ANSI No.			
Shipping Weight 3.5 lbs.	Friction	H.O.	Stop
	C05532	C05512	C05542