

Model E-M19

Application

Offset Hung
 Electric Pivot for Power Transfer
 Handed

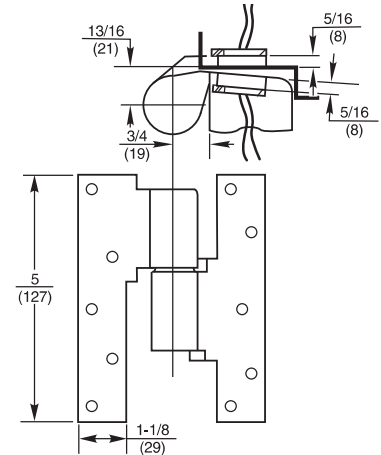


Whenever power transfer pivots are used, the leaves must not be separated

Product Description & Features

- Not load-bearing
- Door and jamb portion are factory assembled and cannot be separated
- Always use M19 intermediate pivot to install door
- Specify four, six, eight or twelve wires
- ElectroLynx[®] option available, suffix "QC#" (number of wires)
- 24-gauge wire is rated at 2 amps for low voltage, class II wiring applications
- Available for fire door assemblies (*ferrous material*) – specify E-FM19
- For 20-minute label, suffix "-20" to the part number
- 3/4" (19mm) offset
- Available 1-1/2" offset
- Furnished with wood and machine screws

Technical Information



Model E-M19U

Application

Offset Hung
 Electric Pivot for Power Transfer
 Handed
 For Electrified Panic Devices with
 Large Inrush Current



Whenever power transfer pivots are used, the leaves must not be separated

Product Description & Features

- Not load-bearing
- Always use M19 intermediate pivot to install door
- Door and jamb portion are factory assembled and cannot be separated
- Junction boxes are supplied with pivots
- 2 each 18 gauge wires. Each wire is rated at 2 amps continuously. UL listed for 24-volt, Class I wiring
- ElectroLynx[®] option not available
- Not available in ferrous material
- 3/4" (19mm) offset
- Furnished with wood and machine screws

Technical Information

