

Model F519

Application

Pocket Door Pivot
Non-handed

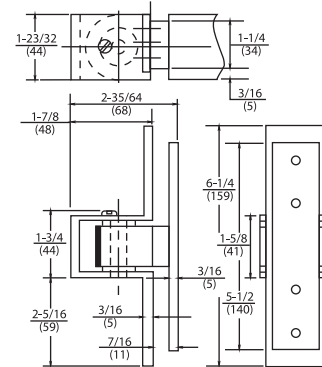
ANSI 156.4 C07611



Product Description & Features

- Full mortise, non-handed pivot for pocket door applications
- Heavy-duty steel pivot with ball bearings
- Allows doors to swing 90°
- Minimum three pocket pivots per door
- Doors over 90" (2286mm) in height require four pocket pivots. Every additional 30" (762mm) of door height warrants another pocket pivot
- UL listed for all labeled pocket fire-door assemblies up to and including 3 hours
- Fire-rated door assemblies must have been tested with pocket pivots

Technical Information



Model E-F519

Application

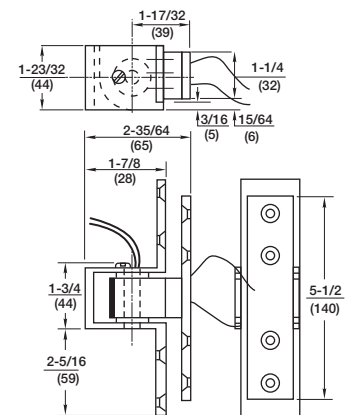
Pocket Door Pivot
Electric Pivot for Power Transfer
Non-handed



Product Description & Features

- Full mortise, non-handed pivot for pocket door applications
- Always use as middle pivot
- Specify with four, six, eight or twelve wires
- ElectroLynx® option available, suffix "QC#" (number of wires)
- 24-gauge wire is rated at 2 amps for low voltage, class II wiring applications
- Heavy-duty steel pivot with ball bearings
- Allows doors to swing 90°
- Door and jamb portions are factory assembled and cannot be separated
- Minimum three pocket pivots per door
- Doors over 90" (2286mm) in height require four pocket pivots. Every additional 30" (762mm) of door height warrants another pocket pivot
- Fire-rated door assemblies must have been tested with pocket pivots

Technical Information



Hardwiring Made Easy®

