

Heavy-Duty Double-Acting Center Hung Floor Closers

Model H40 Heavy-Duty

Application

- Double Acting, Non-handed
- Interior or Exterior[^] Doors
- Weight to 1000 lbs.
- Sizes up to 4'0" x 8'6"***
(1219x2591mm)



ANSI/C06012

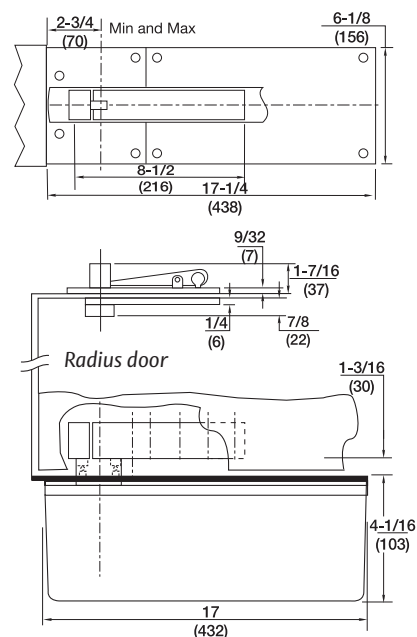
* For doors taller than 8'6" use to pivot H345 in lieu of H340

[^] Primary means of egress should *not* use double-acting closers

Product Description & Features

- For thick, extra heavy doors (2" min. thickness)
- Thrust bearing for greater load capacity
- Adjustable closing speed valves for each direction of door swing
- Mechanism returns door to center
- Available non-hold open (N) or automatic hold open (A) at 90° (requires 93° swing) or 100° (requires 103° swing)
- Maximum door opening 103°
- Auxiliary door stop required, overhead or floor type
- Models available to meet ICC/ANSI A117.1 low opening force requirements. Prefix "PH" (consult factory)
- Cold weather fluid option – specify "CWF"
- Sealed closer option – specify "SC"
- Available with floor plate or threshold installation (floor plate shown)
- Steel cement case
- This arm does not allow door centering adjustment. Not recommended for pairs of doors
- Standard top pivot: #H340 included
- Not allowed for fire rated doors
- Furnished with wood and machine screws
- Extended spindles available in 1/2" increments up to 2" longer than standard

Technical Information



Model H40 x 587 Arm Center Hung

Application

- Side Load Arm



ANSI/C06012

Product Description & Features

Identical to Model H40 except:

- Special side load arm for 1-3/4" thick doors
- Allows pivot point to be moved away from edge of door. Minimum 2-3/4" backset

Technical Information

