

Model L117

Application

Exterior or Interior Doors
 Lead-Lined/Heavy/High Traffic Doors
 Weight to 1,750 lbs.*
 Door Width up to 4'0" (1219mm)
 Handed



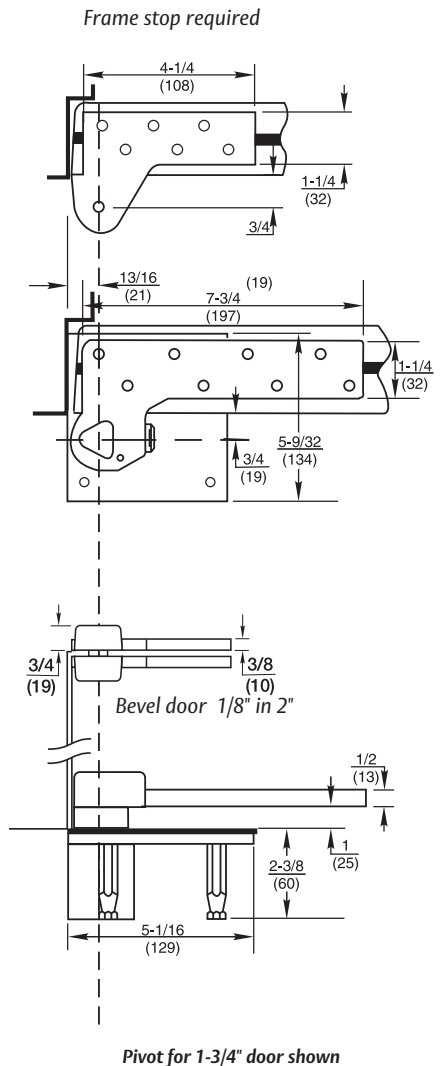
BHMA/ANSI NO: C07111

* Door size & weight guidelines are determined using the appropriate number of intermediate pivots

Product Description & Features

- Standard top pivot L180 included
- ML19 intermediate pivot required (order separately), see page 137
- Bottom pivot mortised into floor
- Available for fire door assemblies up to three hours (ferrous material). Specify FL117. Intermediate pivot required by UL. Specify FML19 (order separately), see page 137. Note: UL listing for 1-3/4" thick doors only
- Available to accommodate lead in door thicknesses 1-3/4" (44mm), 2" (51mm), 2-1/4" (57mm), 2-1/2" (64mm), or 3" (76mm) – specify when ordering
- Additional thrust bearing for greater load capacity
- Doors up to 90" (2286mm) in height should use one intermediate pivot. Each additional 30" (762mm) of door height warrants another intermediate pivot
- For 20-minute label suffix “-20” to the part number
- Non-ferrous base material for top pivot
- 3/4" (19mm) offset (measured from centerline of pivot to face of door)
- Door edges must be beveled in 1/8" in 2"
- Furnished with wood and machine screws
- Extended spindles available in 1/2" (13mm) increments up to 2" (51mm) longer than standard
- Doors will swing 180°, trim permitting

Technical Information



Pivots & Pivot Sets