

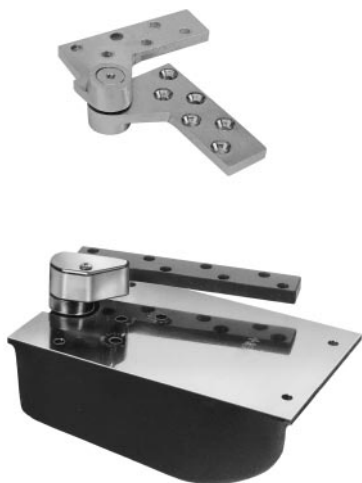
RIXSON®**ASSA ABLOY**

Heavy-Duty Offset Hung Floor Closers

Model L27 3/4" Offset

Application

- Single Acting, Handed
- Exterior or Interior Doors
- Lead-Lined/Heavy/High Traffic Doors
- Weight to 1500 lbs.*
- Door Width up to 4'0" (1219mm)



ANSI/C06071

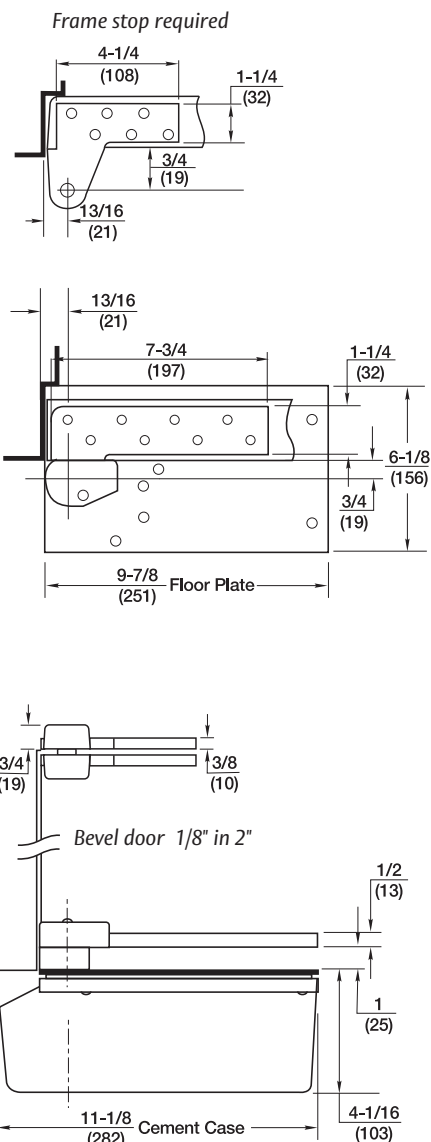
* Door size & weight guidelines are determined using the appropriate number of intermediate pivots

Product Description & Features

Heavy-duty bottom arm and top pivot with screw holes spaced to straddle lead lining, also used for doors with lead lining beneath the skins or for extra heavy or very high traffic doors.

- Available for the following lead-lined door thicknesses: 1-3/4" (44mm), 2" (51mm), 2-1/4" (57mm), 2-1/2" (63mm) or 3" (76mm)
- Additional thrust bearing for greater load capacity
- Built-in positive dead stop prevents door from swinging beyond the desired opening degree (specify 85°, 90°, 95° or 105°)
- Separate and independent valves for closing speed, latch speed and backcheck
- Available non-hold open (N) or selective hold open (S) at same degree as dead stop
- Delayed action option – prefix "DA" (non-hold open closers only)
- Models available to meet ICC/ANSI A117.1 low opening force requirements, prefix "PH". (For 8-1/2 lbs. of opening force prefix PH and suffix 8-1/2 lbs.)
- Cold weather fluid option – specify "CWF" (not available for closers with "DA")
- Sealed closer option – specify "SC"
- Available with floor plate or threshold installation (floor plate shown)
- For extended offsets, consult factory
- Cast iron cement case
- Vertical door adjustment
- Standard top pivot: L180 included
- Intermediate pivot(s) required: **ML19** (order separately), see page 18
- **Doors up to 90" (2286mm) in height should use one intermediate pivot. Each additional 30" (762mm) warrants another intermediate pivot**
- For fire rated openings (up to 3 hour assemblies) prefix "F". This package will be supplied with steel top pivot (FL180) and non-hold open closer. Furnish intermediate pivot FML19, order separately, see page 18. **Note: UL listing for 1-3/4" thick doors only.**
- Fire rated closers cannot have PH option
- For 20-minute labeled doors suffix "-20" to the part number
- Furnished with wood and machine screws
- Extended spindles available in 1/2" increments up to 2" longer than standard

Technical Information



* 1-3/4" door thickness shown