

## Model 608 Center Hung

### Application

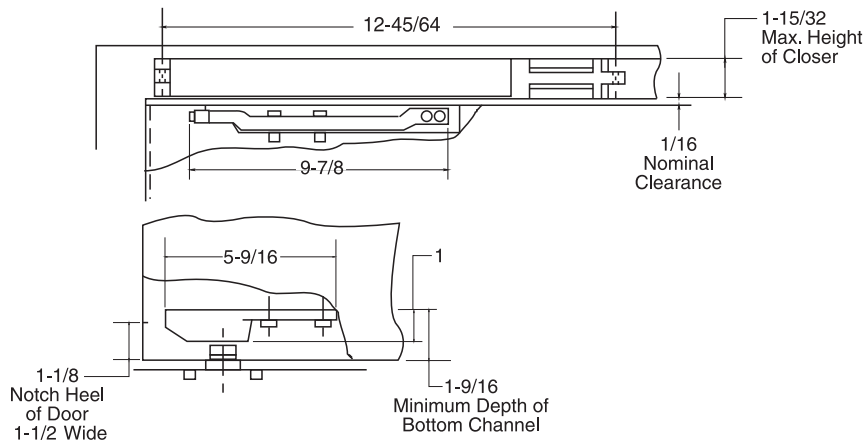
- Single or Double Acting, Non-handed
- Exterior or Interior Doors
- Low to Medium Traffic
- Weight to 200 lbs.
- Exterior Door Size 3'6" x 8'0" (1067 x 2438mm)
- Interior Door Size 3'8" x 8'0" (1118 x 2438mm)



End load arm shown

**\*Note that mounting channels must be welded into frames prior to shipment to job site.**

### Technical Information



### Product Description & Features

- Available in non-hold open (*door swings to 130° each direction*) (N)
- Available in automatic hold open models – Specify 90 or 105° (A)
- Product should always be used with an auxiliary floor or wall stop
- 1-3/4" doors
- Adjustable closing and latch speeds
- On single acting center hung application, frame stop is required (*see part number 60131 on page 92*), order separately
- 1/2" longer than standard closer spindle is available and must be ordered as part of the closer, it cannot be added later
- Includes 608011 bottom pivot
- Optional end cap 199 for top and bottom of wood door

### Models

- **608EL** closers should be used on aluminum doors and frames. Package includes closer body, arm, frame mounting clips, and bottom pivot 608011. This can be used in an aluminum frame that is 1-3/4" x 4".
- **608SL** closers should be used on aluminum door and frames with an arm that attaches to the spindle thru the face of the door. Package includes body arm, frame, mounting clips and bottom pivot 608011. This can be used on a frame that is 1-3/4" x 4".
- **M608** closers should be used should be used on metal doors and frames. Package includes closer body, arm, frame mounting box 608049PKG\*, cover plate and bottom pivot 608011. Frame size 2"x 5-1/2" minimum.
- **MW608** closer should be used on wood doors and metal frames. Package includes closer body, arm, frame mounting box 608049PKG\*, cover plate and bottom pivot 608011. Frame size 2"x 5-1/2" minimum.
- **W608** closer should be used on wood doors and frames. Package includes closer body, arm, frame, mounting box 608049PKG, cover plate and bottom pivot 608011. Frame size 2"x 5-1/2" minimum.

- **AW608** closer should be used on wood doors and aluminum frames. Package includes closer body, arm, frame mounting clips, and bottom pivot 608011. Frame size 1-3/4" x 4".