

Model 340 x 102

Application

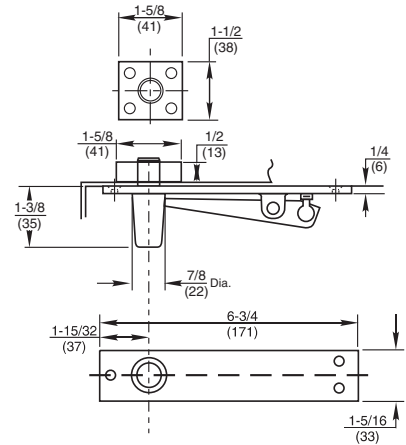
Fully Concealed
Non-handed



Product Description & Features

- Optional top pivot for doors or frames that have conflicts with other hardware
- Can be inverted (see drawing at right)
- Oil-impregnated sintered bronze bushing
- Completely concealed when door is closed
- Available with longer than standard pivot pins. Increments are 1/4" (6mm) up to 3/4" (19mm)
- Furnished with wood and machine screws
- For lighter weight doors use 320 x 102

Technical Information



340 x 102 shown

Model 340 x AP3

Application

Surface mounted
Handed doors up to 3'6" wide



Product Description & Features

- Used where no frame exists above door, or where it is not possible to anchor pivot into header of frame
- Center hung applications only
- Furnished with 340 door portion
- Part is handed to keep installation plate to inside of room or building
- Furnished with wood and machine screws

Technical Information

