

# Pivots and Pivot Sets Electrified Center Hung Top Pivots

## Model E-H340

### Application

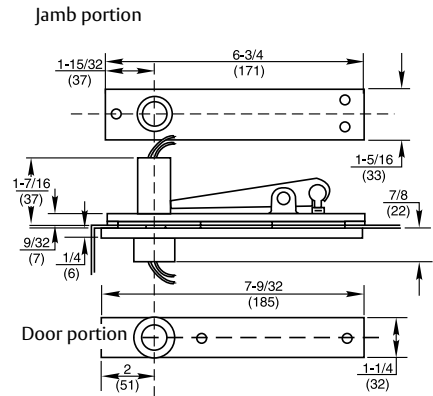
Center Hung  
Top Pivot for Power Transfer  
Non-handed



### Product Description & Features

- Walking beam type pivot – 11/16" (17mm) diameter pivot pin with 3/4" (19mm) engagement
- Can be used with any center hung bottom pivot or floor closer. Order the pivot set LTP (less top pivot) with E-H340 as a separate line
- Heavy-duty needle bearing
- Specify two, four, six, eight or twelve wires
- Two-wire is available in 18 gauge and is not available ElectroLynx®
- 4, 6, 8 and 12 wires are 24 gauge and available in ElectroLynx®. Suffix QC# (number of wires)
- Completely concealed when door is closed
- Available with longer pivot pins. Increments are 1/4" (6mm), 1/2" (13mm), 3/4" (19mm) only
- Furnished with wood and machine screws

### Technical Information



Hardwiring Made Easy®



## Model E-H345

### Application

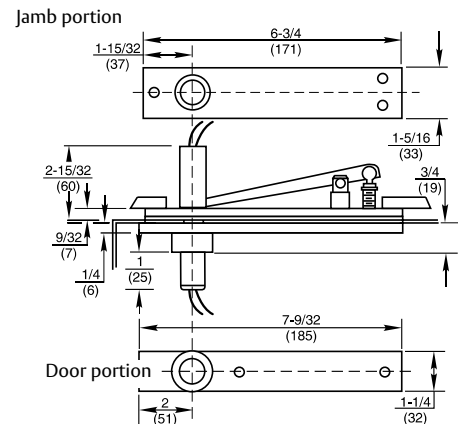
Fully Concealed  
Center Hung  
Top Pivot for Power Transfer  
Non-handed  
Earthquake Tolerant  
Taller Doors



### Product Description & Features

- Optional top pivot
- Longer pivot pin throw engages in top of door 1-3/4" (44mm). Ideal for locations where there is a fear of dramatic building settling
- Can be used with any center hung bottom pivot or floor closer. Order the pivot set LTP (less top pivot) with E-H345 as a separate line
- Used with heavy-duty pivots & floor closers
- Walking beam-type pivot – 11/16" (17mm) diameter pivot pin
- Heavy-duty needle bearing
- For doors over 8'6" in height
- Specify two, four, six, eight or twelve wires
- Two-wire is available in 18 gauge and is not available with ElectroLynx®
- 4, 6, 8 and 12 wires are 24 gauge and available in ElectroLynx®. Suffix QC# (number of wires)
- Furnished with wood and machine screws

### Technical Information



Hardwiring Made Easy®

