

Model H28 Center Hung

Application

- Single Acting, Handed
- Exterior or Interior Doors
- Extra Heavy High Traffic Doors
- Weight to 1000 lbs.
- Sizes up to 4'0"x8'6"*
(1219mmx2591mm)



ANSI/C06061

* For doors taller than 8'6" use top pivot H345 in lieu of H340

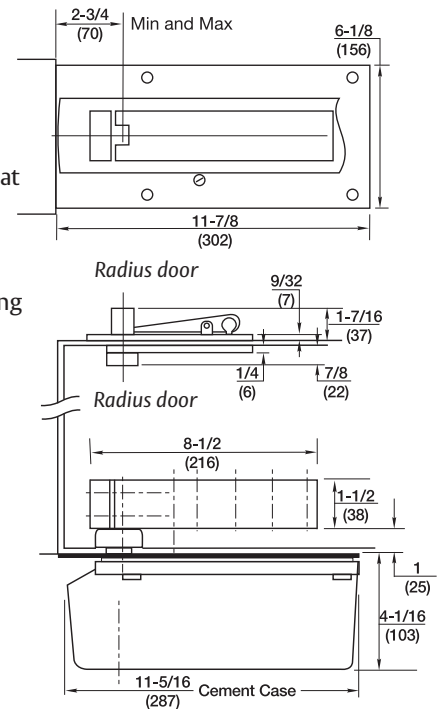
Product Description & Features

For high traffic or extra heavy doors (2" min. thickness)

- Additional thrust bearing for greater load capacity
- Built-in positive dead stop prevents door from swinging beyond the desired opening degree (specify 85, 90, 95 or 105°)
- Separate and independent valves for closing speed, latch speed and backcheck
- Available non-hold open (N) or selective hold open (S) at same degree as dead stop
- Delayed action option – prefix "DA" (non-hold open closers only)
- Models available to meet ICC/ANSI A117.1 low opening force requirements, prefix "PH". (For 8-1/2 lbs. of opening force prefix "PH" and suffix "8-1/2 lbs.")
- Cold weather fluid option – specify "CWF" (not available for closers with "DA")
- Sealed closer option – specify "SC"
- Available with floor plate or threshold installation (floor plate shown)
- Cast iron cement case
- Standard top pivot: H340 included
- Not allowed for fire rated doors
- Frame stop required at header on lock side. If not supplied by frame manufacturer, recommend use of 60131 (see Door Control Accessories page 92).
- Furnished with wood and machine screws
- Extended spindles available in 1/2" increments up to 2" longer than standard

Technical Information

Frame stop required at lock edge



Model H28 x 587 Arm Center Hung

Application

- Side Load Arm



ANSI/C06061

Product Description & Features

Identical to Model H28 except:

- Special side load arm for 1-3/4" thick doors
- Allows pivot point to be moved away from edge of door – Minimum 2-3/4" Backset

Technical Information

