

Model 320

Application

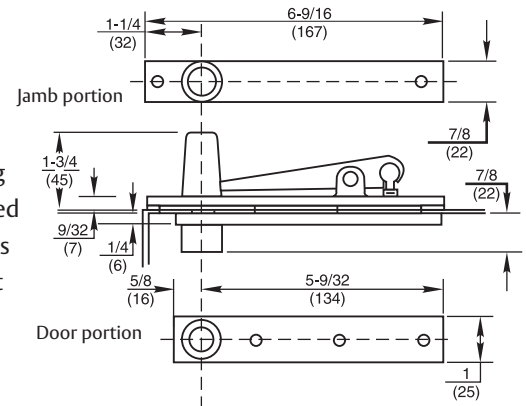
Fully Concealed
Non-handed



Product Description & Features

- Standard top pivot for Models 127-3/4, 128-3/4, and 176 pivot sets
- Walking beam-type pivot – 1/2" (13mm) diameter pivot pin with 3/4" (19mm) engagement
- Oil-impregnated sintered bronze bushing
- Completely concealed when door is closed
- Furnished with wood and machine screws
- Available with longer than standard pivot pins. Increments are 1/4" (6mm), 1/2" (13mm), 3/4" (19mm) only

Technical Information



Model 340

Application

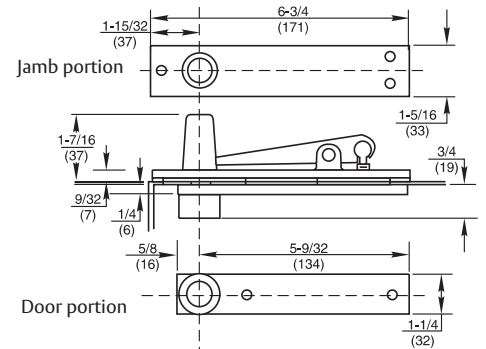
Fully Concealed
Non-handed



Product Description & Features

- Standard top pivot for Models 370 and 117-3/4 pivot sets. Also used for 28, 30, 40 and 50 Series floor closers
- Walking beam-type pivot – 1/2" (13mm) diameter pivot pin with 3/4" (19mm) engagement
- Oil-impregnated sintered bronze bushing
- Completely concealed when door is closed
- Furnished with wood and machine screws
- Available with longer than standard pivot pins. Increments are 1/4" (6mm), 1/2" (13mm), 3/4" (19mm) only

Technical Information



Model H340

Application

Fully Concealed
Heavy-Duty
Non-handed



Product Description & Features

- Standard top pivot for Model H117-3/4 pivot set. Also used for H28 and H40 Series floor closers
- Walking beam-type pivot – 11/16" (17mm) diameter pivot pin with 3/4" (19mm) engagement
- Heavy-duty needle bearing
- Completely concealed when door is closed
- Furnished with wood and machine screws
- Available with longer than standard pivot pins. Increments are 1/4" (6mm), 1/2" (13mm), 3/4" (19mm) only

Technical Information

