

## The Heavy Duty BadAss

The HD (Heavy-Duty) BadAss Hinge is one mighty dude! Designed for the rarest of installations where even The ORIGINAL is not BAD enough. For these situations, SHUT IT has designed the HD to hold 50 percent more load than The ORIGINAL. Do not worry, as with all our BadAss hinges, the HD is CNC machined to the industry's tightest tolerances.



### KEY FEATURES

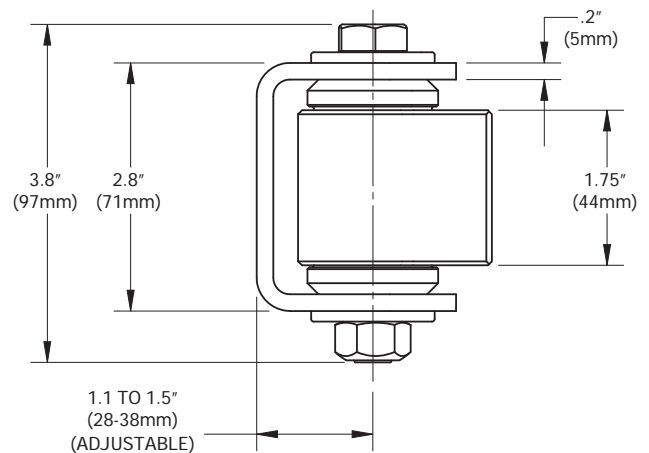
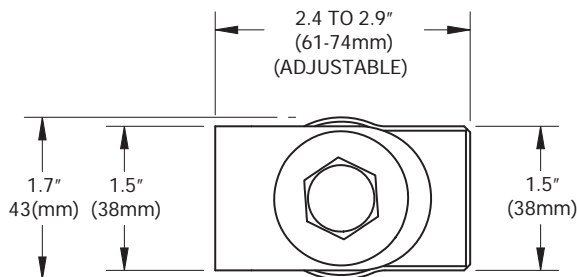
- Three sealed maintenance free bearings (no greasing)
- Adjustable yoke for perfect installations
- Ideal for both round and flat post installations
- Load rating per gate: 3,000 lbs (1,360kg)
- Maximum gate weight: 1,500 lbs (680kg)

SKU	Gap Variance Inch/mm	Fixing Method	Finish	# Of Sealed Bearings	Yoke Mat'l	Body Mat'l	Height Inch/mm	Weight lbs/kg
CI3500	2.4-2.9" (61-74mm)	Weld	Zinc	3	Steel	Steel	3.8" (97mm)	3.5 lbs (1.6kg)

## Product Dimensions

### The Heavy Duty BadAss

**CI3500**



# Anatomy of a BadAss Hinge

## Zinc Electroplating

- Long lasting rust and corrosion protection
- No need to grind off before welding
- On all components except aluminum, stainless steel & rusted look

## Sealed Bearings

- Require no greasing
- Maintenance free
- Hinge options with 1, 2, 3 and 4 bearings per hinge
- Performs better with longer life than roller cages that require periodic greasing
- Stainless steel model includes stainless steel sealed bearings

## Yoke (mount to post)

- Straight bends in yoke provide maximum horizontal adjustment range
- Straight bends in yoke provide maximum welding surface

## Shaft

- 100 year hinge comes with upgraded yoke and Grade 8 shaft (bolt)

## Spacer (bushing)

- Distributes load directly onto the center ring of the sealed bearings for optimal performance and long life

## Tightest tolerance in the industry

- Virtually frictionless rotation

**NOTE: All weight ratings found in this catalog are based upon two hinges or two wheels per gate.**

## Body (mount to gate)

- Fits round or flat surfaces

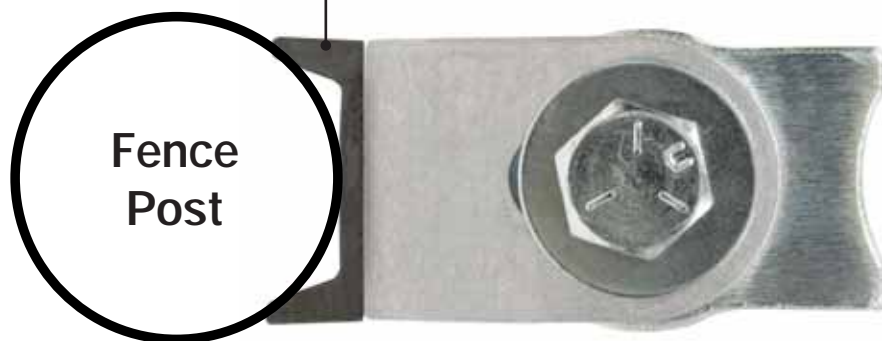
**At Shut It we use the highest grades of steel for optimal welding, strength and performance making them literally BadAss. For welding tips, see pages 44 and 51.**

## Stover Lock Nut

- Uniquely shaped threads that provide a vibration resistant friction fit so the nut stays put
- Top thread section is deformed to create two or three locking zones - Can be reused 2-3 times
- These all metal locknuts withstand higher temperatures than nylon insert locknuts

## For Welding Yoke to Round Fence Post

- Weld 1 1/2 x 1/2 x 1/8" (38x13x3mm) A36 Steel Bar Channel to yoke first. After cooling, weld bar channel to fence post





## WARRANTY AND RATING INFORMATION

PRODUCT: **The Heavy-Duty BADASS Hinge** (CI3500)

### *WARRANTY:*

SHUT IT Gate Hardware is proud to offer the best warranty in the industry for all of its wheel, hinge and guide products. For **The Heavy-Duty BADASS Hinge** (CI3500) SHUT IT Gate Hardware guarantees all machined components (body, spacers and yokes) for the life of the gate on which it is originally installed. SHUT IT Gate Hardware also guarantees on all remaining components (including bearings) for a period of five (5) years from date of original installation.

SHUT IT Gate Hardware products are guaranteed to be free of defects in both workmanship and materials. SHUT IT Gate Hardware's liability under all warranties, express or implied, shall be limited to replacement of defective goods. Failures due to normal use and weather wear as well as defects caused by acts of God are not covered under this warranty. Defective goods must be returned to our headquarters in Tucson, Arizona, unless otherwise agreed upon by SHUT IT Gate Hardware's returns department. As standard in the industry, Counsel's warranty is based on proper installation, including adherence to our weight capacities. Additionally, any modification of products or improper installation will void the warranty.

### *RATING:*

ALL SHUT IT GATE HARDWARE PRODUCT RATINGS ARE INTENDED FOR INFORMATIONAL PURPOSE ONLY AND ARE NOT EXPRESSED OR IMPLIED GUARANTEES.

**The Heavy-Duty BADASS Hinge** (CI3500) has been given a rating of **3,000 lbs** per hinge. Our ratings are principally based on the Basic Dynamic Load ratings provided and guaranteed by our bearing manufacturers. For **Heavy-Duty BADASS Hinge** (CI3500) each bearing has a BDL rating in excess of 1000 lbs and each hinge utilizes three bearings for a load capacity in excess of 3000 lbs. After we initially determined the BDL of our products we spent nearly 2 years testing the hinges in actual field installations to determine what we believe is a properly conservative capacity for each product.

SHUT IT Gate Hardware

PO BOX 5464

Tucson, Arizona 85703

[www.shutitgatehardware.com](http://www.shutitgatehardware.com)