

TE 240 3D

For flush residential doors



Product features

- Completely concealed hinge system
- For flush residential doors
- Maintenance-free slide bearings
- For wood, steel or aluminum door panels and frames
- Finger protection due to a small gap between door and frame
- Easily adjustable in three dimensions (side +/- 3.0 mm (0.118"), height +/- 3.0 mm (0.118"), compression +/- 1.5 mm (0.059"))

Technical information

Detail	Value	
Load capacity	132.0 lbs	60.0 kg
Overall length	6.102 "	155.0 mm
Width (door part)	0.709 "	18.0 mm
Width (frame part)	0.827 "	21.0 mm
Router bit diameter	1/2 "	16.0 mm
Collar ring diameter	1 "	30.0 mm
Opening angle	180°	180°

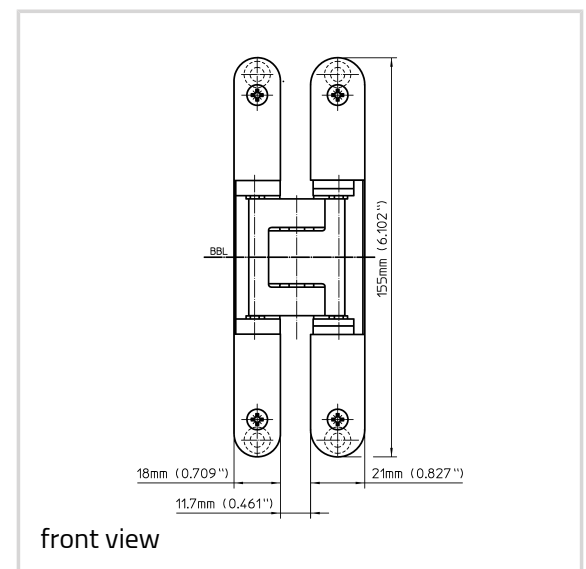
Quality marks



Certification CE



Certification IFT



TECTUS - TE 240 3D

Note

The load capacity mentioned above refers to the use of 2 hinges per door leaf with a height/width ratio of 2:1.

For a minimum door panel thickness of 26 mm (1.024").

Suitable for

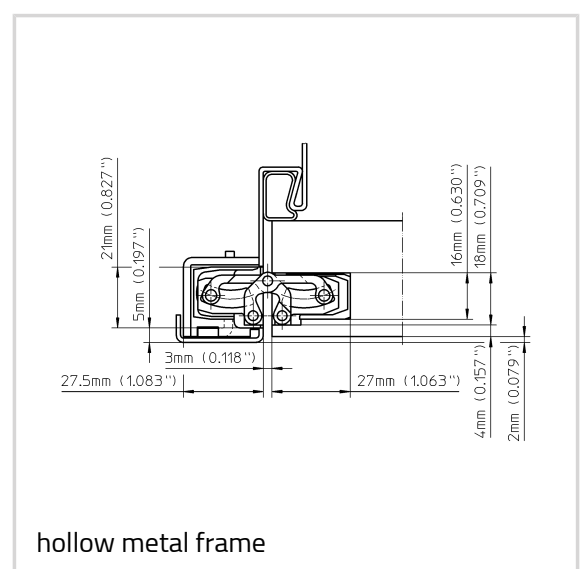
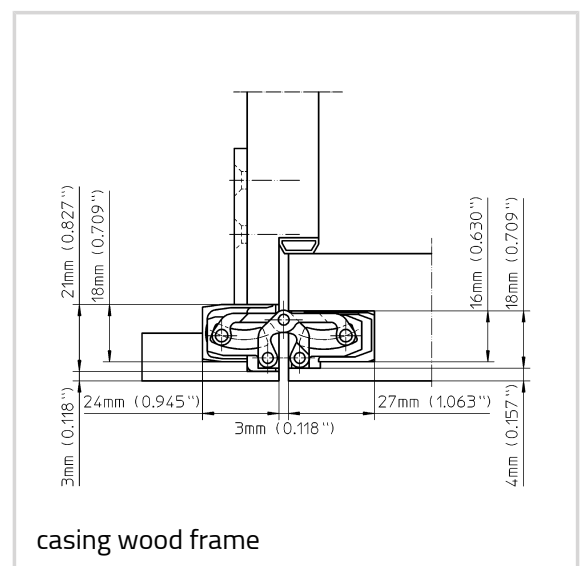
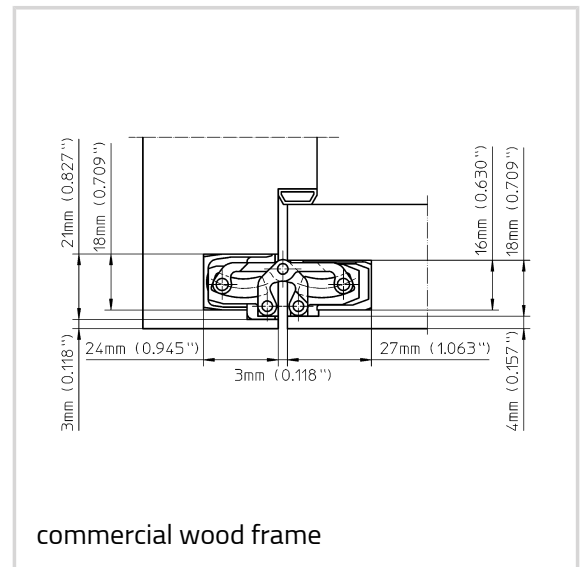
Universal milling frame	
Template 5 250691 6	16 mm router bit / 30 mm collar ring (frame)
Template 5 250692 6	16 mm router bit / 30 mm collar ring (door)
Template 5 251074 6	1/2" router bit / 1" collar ring (frame)
Template 5 251075 6	1/2" router bit / 1" collar ring (door)

Combinations

TE 240 3D FZ
TE 240 3D SZ
TE 240 3D ST

Item

Finish(es)	polished brass (030)
OF-NR.	030
VPE	pack of 2
DIN	non-handed
Item No.	5 400679 0 03002
EAN	4015471122980
Finish(es)	polished nickelled (038)
OF-NR.	038
VPE	pack of 2
DIN	non-handed
Item No.	5 400679 0 03802
EAN	4015471122997
Finish(es)	satin brass (047)



TECTUS - TE 240 3D

OF-NR.	047
VPE	pack of 2
DIN	non-handed
Item No.	5 400679 0 04702
EAN	4015471127268

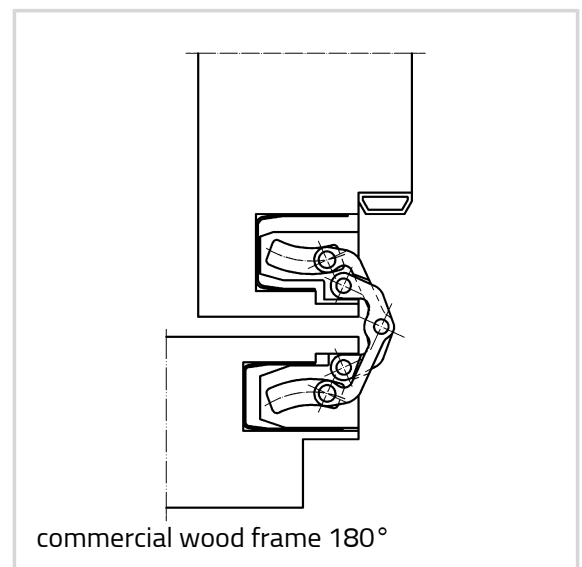
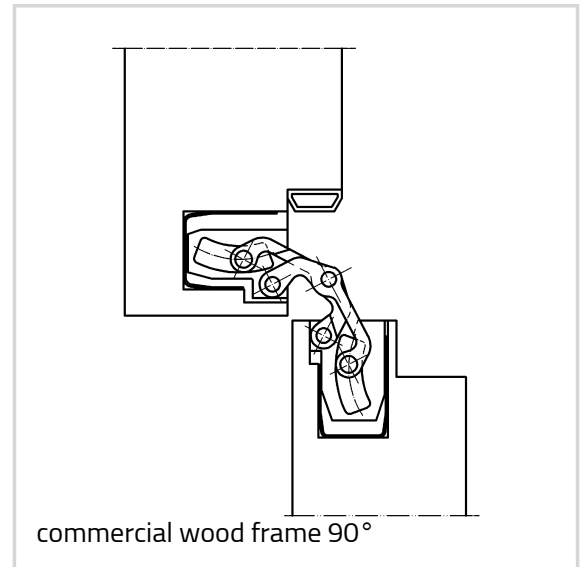
Finish(es)	RAL 9016 Traffic White (070)
OF-NR.	070
VPE	pack of 2
DIN	non-handed
Item No.	5 400679 0 07002
EAN	4015471123734

Finish(es)	RAL 9005 Matte Black (107)
OF-NR.	107
VPE	pack of 2
DIN	non-handed
Item No.	5 400679 0 10702
EAN	4015471123741

Finish(es)	Satin Chrome Look (F1) (124)
OF-NR.	124
VPE	pack of 2
DIN	non-handed
Item No.	5 400679 0 12402
EAN	4015471122973

Finish(es)	Satin Nickel Look (F2) (125)
OF-NR.	125
VPE	pack of 2
DIN	non-handed
Item No.	5 400679 0 12502
EAN	4015471123017

Finish(es)	Stainless Steel Look (SSL) (126)
OF-NR.	126
VPE	pack of 2
DIN	non-handed
Item No.	5 400679 0 12602
EAN	4015471123024



TECTUS - TE 240 3D

Finish(es)	Satin Nickel (144)
OF-NR.	144
VPE	pack of 2
DIN	non-handed
Item No.	5 400679 0 14402
EAN	4015471123772
Finish(es)	Satin Chrome (146)
OF-NR.	146
VPE	pack of 2
DIN	non-handed
Item No.	5 400679 0 14602
EAN	4015471123789
Finish(es)	Rustic Umber (156)
OF-NR.	156
VPE	pack of 2
DIN	non-handed
Item No.	5 400679 0 15602
EAN	4015471123758
Finish(es)	Bronze Metallic (168)
OF-NR.	168
VPE	pack of 2
DIN	non-handed
Item No.	5 400679 0 16802
EAN	4015471123765
Finish(es)	Bronze Finish (174)
OF-NR.	174
VPE	pack of 2
DIN	non-handed
Item No.	5 400679 0 17402
EAN	4015471123031
Finish(es)	Bronze Finish light (175)
OF-NR.	175
VPE	pack of 2
DIN	non-handed
Item No.	5 400679 0 17502
EAN	4015471123048
Finish(es)	Bronze Finish dark (176)
OF-NR.	176

TECTUS - TE 240 3D

VPE	pack of 2
DIN	non-handed
Item No.	5 400679 0 17602
EAN	4015471123055
Finish(es)	colored (079)
OF-NR.	079
VPE	EUR-pallet
DIN	non-handed
Item No.	5 400679 0 07975
EAN	4015471123000