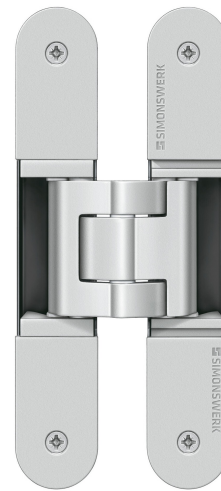


TE 340 3D

For residential and commercial doors



Product features

- Completely concealed hinge system
- Maintenance-free slide bearings
- For wood, steel or aluminum door panels and frames
- Finger protection due to a small gap between door and frame
- For flush residential and commercial doors
- Easily adjustable in three dimensions (side +/- 3.0 mm (0.118"), height +/- 3.0 mm (0.118"), compression +/- 1.0 mm (0.039"))
- UL listed for 60 minute fire door

Technical information

| Detail | Value | |
|----------------------|-----------|----------|
| Load capacity | 176.0 lbs | 80.0 kg |
| Overall length | 6.299 " | 160.0 mm |
| Width (door part) | 1.102 " | 28.0 mm |
| Width (frame part) | 1.102 " | 28.0 mm |
| Router bit diameter | | 24.0 mm |
| Collar ring diameter | | 30.0 mm |
| Opening angle | 180° | 180° |

Quality marks



Certification CE



Certification IFT



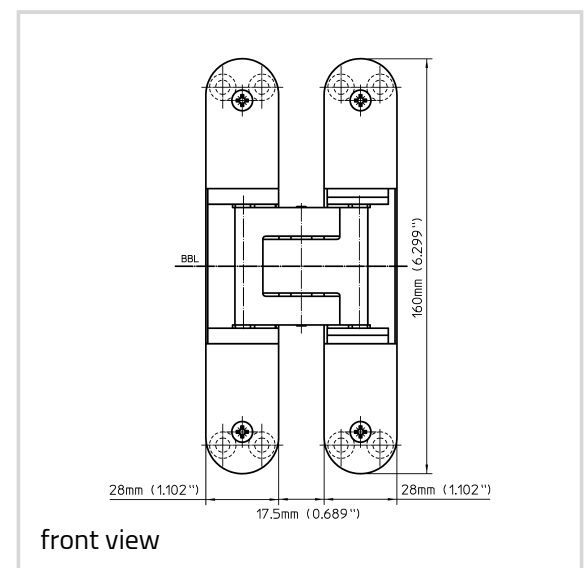
Certification UL

warringtonfire

Certification Warringtonfire



Certification UL (Canada)



TECTUS - TE 340 3D

Note

The load capacity mentioned above refers to the use of 2 hinges per door leaf with a height/width ratio of 2:1.

For a minimum door panel thickness of 38 mm (1-1/2").

For fire rated doors: Check with door manufacturer regarding the usage of additional required intumescent material.

Square-corner cover plates are available upon request.

Alternatively, the routing can be carried out with a cutter diameter of 3/4" and a collar ring diameter of 1" for imperial templates.

Suitable for

Universal milling frame

Drilling jig TECTUS TE 340 3D

Template 5 250693 5 24 mm router bit / 30 mm collar ring (step 1)

Template 5 250694 5 24 mm router bit / 30 mm collar ring (step 2)

Template 5 251058 5 3/4" router bit / 1" collar ring (step 1)

Template 5 251059 5 3/4" router bit / 1" collar ring (step 2)

Combinations

TE 340 3D FZ

TE 340 3D SZ

TE 340 3D ST

Function range



Forced Entry Resistant

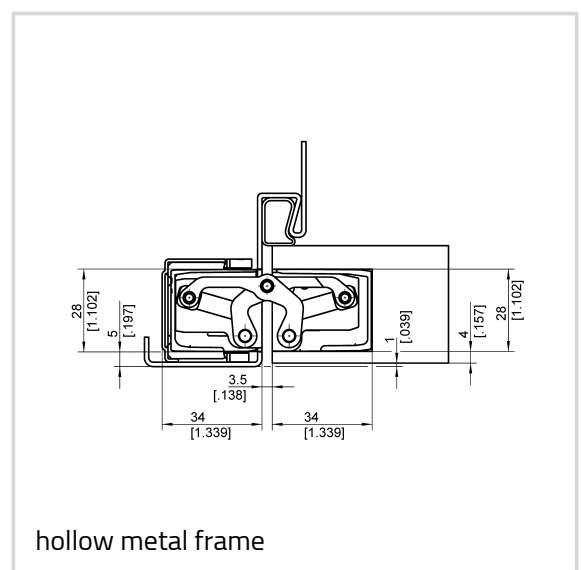
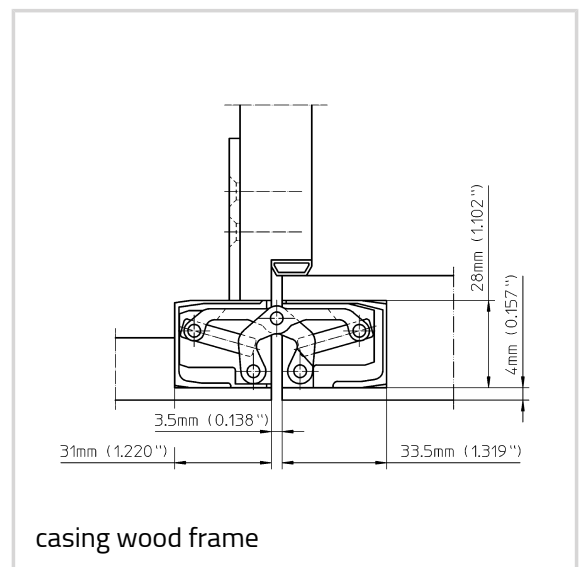
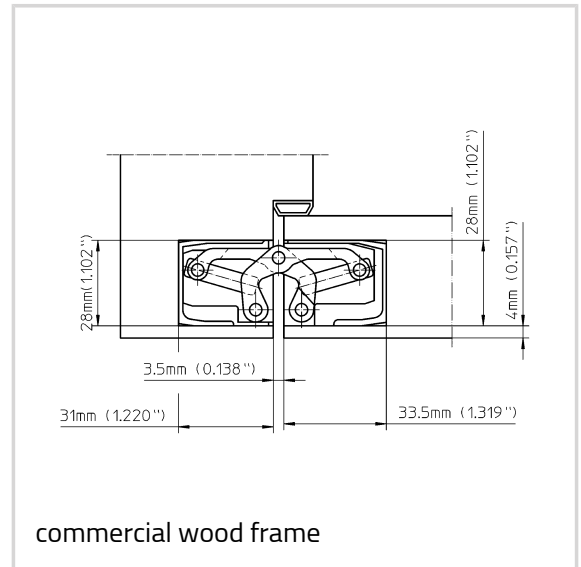


Fire Resistant



Smoke Resistant

Item



TECTUS - TE 340 3D

| | |
|------------|------------------------|
| Finish(es) | polished brassed (030) |
| OF-NR. | 030 |
| VPE | pack of 2 |
| DIN | non-handed |
| Item No. | 5 400605 0 03002 |
| EAN | 4015471106553 |

| | |
|------------|--------------------------|
| Finish(es) | polished nickelled (038) |
| OF-NR. | 038 |
| VPE | pack of 2 |
| DIN | non-handed |
| Item No. | 5 400605 0 03802 |
| EAN | 4015471106577 |

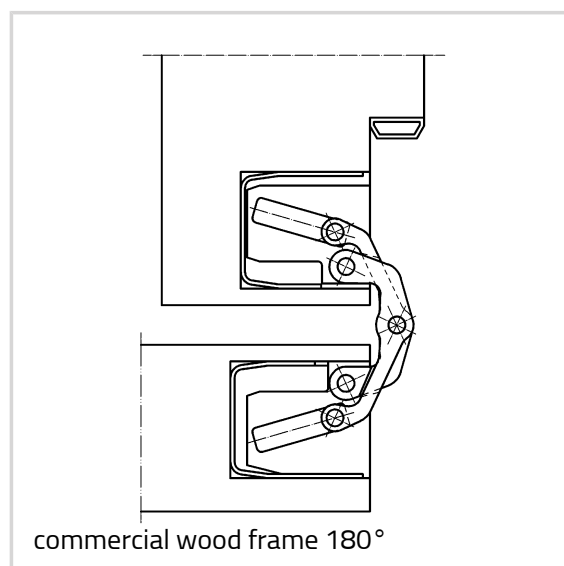
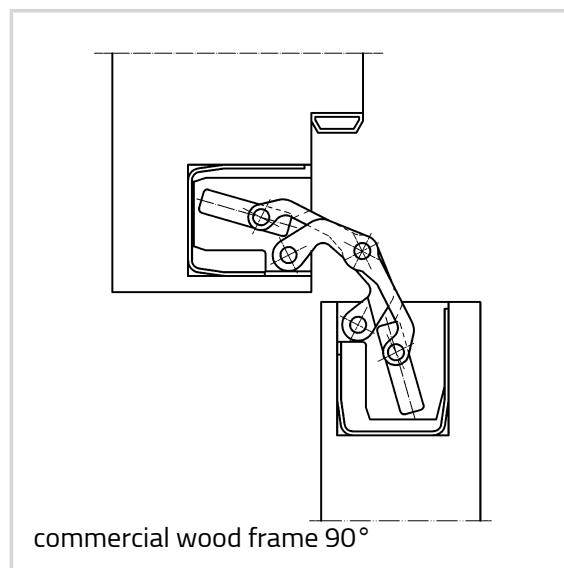
| | |
|------------|---------------------|
| Finish(es) | satin brassed (047) |
| OF-NR. | 047 |
| VPE | pack of 2 |
| DIN | non-handed |
| Item No. | 5 400605 0 04702 |
| EAN | 4015471127183 |

| | |
|------------|------------------------------|
| Finish(es) | RAL 9016 Traffic White (070) |
| OF-NR. | 070 |
| VPE | pack of 2 |
| DIN | non-handed |
| Item No. | 5 400605 0 07002 |
| EAN | 4015471106584 |

| | |
|------------|----------------------|
| Finish(es) | Grey Matte C37 (088) |
| OF-NR. | 088 |
| VPE | pack of 2 |
| DIN | non-handed |
| Item No. | 5 400605 0 08802 |
| EAN | 4015471141301 |

| | |
|------------|----------------------------|
| Finish(es) | RAL 9005 Matte Black (107) |
| OF-NR. | 107 |
| VPE | pack of 2 |
| DIN | non-handed |
| Item No. | 5 400605 0 10702 |
| EAN | 4015471106607 |

| | |
|------------|------------------------|
| Finish(es) | Satin Chrome Look (F1) |
|------------|------------------------|



TECTUS - TE 340 3D

| | |
|------------|-------------------------------------|
| OF-NR. | (124) 124 |
| VPE | pack of 1 |
| DIN | non-handed |
| Item No. | 5 400605 0 12401 |
| EAN | 4015471142421 |
| Finish(es) | Satin Chrome Look (F1) (124) |
| OF-NR. | 124 |
| VPE | pack of 2 |
| DIN | non-handed |
| Item No. | 5 400605 0 12402 |
| EAN | 4015471106614 |
| Finish(es) | Satin Nickel Look (F2) (125) |
| OF-NR. | 125 |
| VPE | pack of 2 |
| DIN | non-handed |
| Item No. | 5 400605 0 12502 |
| EAN | 4015471106638 |
| Finish(es) | Stainless Steel Look (SSL) (126) |
| OF-NR. | 126 |
| VPE | pack of 2 |
| DIN | non-handed |
| Item No. | 5 400605 0 12602 |
| EAN | 4015471106652 |
| Finish(es) | Satin Nickel (144) |
| OF-NR. | 144 |
| VPE | pack of 2 |
| DIN | non-handed |
| Item No. | 5 400605 0 14402 |
| EAN | 4015471106669 |
| Finish(es) | Satin Chrome (146) |
| OF-NR. | 146 |
| VPE | pack of 2 |
| DIN | non-handed |
| Item No. | 5 400605 0 14602 |
| EAN | 4015471109592 |

TECTUS - TE 340 3D

| | |
|------------|---------------------------|
| Finish(es) | Rustic Umber (156) |
| OF-NR. | 156 |
| VPE | pack of 2 |
| DIN | non-handed |
| Item No. | 5 400605 0 15602 |
| EAN | 4015471106676 |
| Finish(es) | Bronze Metallic (168) |
| OF-NR. | 168 |
| VPE | pack of 2 |
| DIN | non-handed |
| Item No. | 5 400605 0 16802 |
| EAN | 4015471106683 |
| Finish(es) | Bronze Finish dark (176) |
| OF-NR. | 176 |
| VPE | pack of 2 |
| DIN | non-handed |
| Item No. | 5 400605 0 17602 |
| EAN | 4015471114213 |
| Finish(es) | Bronze Finish (174) |
| OF-NR. | 174 |
| VPE | pack of 2 |
| DIN | non-handed |
| Item No. | 5 400605 0 17402 |
| EAN | 4015471114190 |
| Finish(es) | Bronze Finish light (175) |
| OF-NR. | 175 |
| VPE | pack of 2 |
| DIN | non-handed |
| Item No. | 5 400605 0 17502 |
| EAN | 4015471114206 |
| Finish(es) | colored (079) |
| OF-NR. | 079 |
| VPE | EUR-pallet |
| DIN | non-handed |
| Item No. | 5 400605 0 07975 |
| EAN | 4015471123888 |