

TECTUS®

TE 526 3D

Manufactured of solid stainless steel for flush commercial doors

Hinge up to 120 kg (264 lbs.)

Product Features

- Solid non magnetic stainless steel (304 series) (marine grade 316 series upon request)
- Completely concealed hinge system
- For wood, steel or aluminum door panels and frames
- For flush commercial doors
- Easily adjustable in three dimensions (side +/- 3.0 mm (0.118"), height +/- 3.0 mm (0.118"), compression +/- 1.0 mm (0.039"))
- Maintenance-free slide bearings
- Finger protection due to a small gap between door and frame
- UL listed for 180 minute fire door

The specification text can be downloaded from the PRODUCTSELECTOR at www.simonswerk-usa.com.

Technical Data

Load capacity	120 kg (264 lbs.)
Length	155 mm (6.102")
Width (door)	26 mm (1.024")
Width (frame)	26 mm (1.024")
Router bit / collar Ø	3/4" / 1"

Finishes

satin stainless steel (304 series) (040)

Combinations

Receiver/Reinforcement	Commercial frame	Frame mounted
	Casing frame	TE 526 3D FZ
	Steel frame	TE 526 3D SZ
	Steel door	TE 526 3D ST
	Aluminum frame	Specified by manufacturer

Installation Tools

Jig	Universal milling frame
	Drilling jig TECTUS TE 526 3D
Frame/Door	routing template No. 5 251070 6

Application Range

Fire Resistant, Smoke Resistant, Soundproof, Forced Entry Resistant, High Corrosion Resistant

Note

The load capacity mentioned above refers to the use of 2 hinges per door leaf with a height/width ratio of 2:1 (see page 46 for further detail).

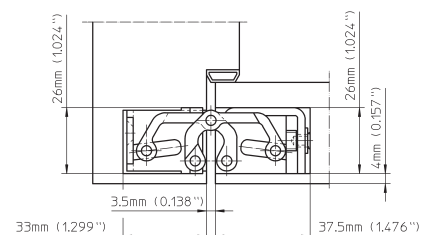
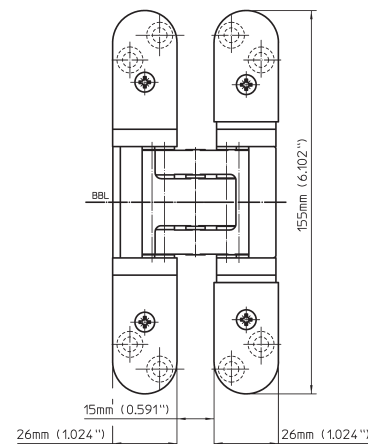
For a minimum door panel thickness of 34 mm (1-3/8").

For fire rated doors: Check with door manufacturer regarding the usage of additional required intumescent material.

Square-corner cover plates are available upon request - see page 34.

The load capacity may be reduced when installed in combination with a door closer.

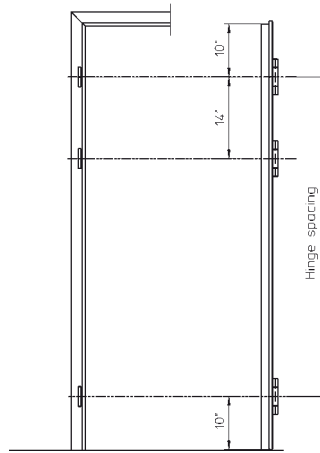
For further information, please contact us.



TECTUS Series

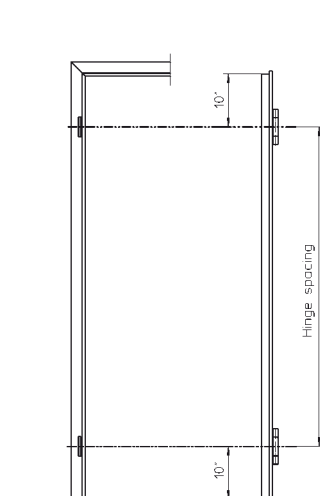
To increase the load capacity of the hinges, a third hinge needs to be positioned 14" below the upper hinge (center to center). The use of a third hinge in order to increase the load capacity has to be determined on a case by case basis. Our hinge data refers to a height/width ratio of the door of 2:1 or more. Please contact us for further information and see also the door manufacturers instructions. Proper preparation and alignment as well as tension-free adjustment are crucial for a hassle-free operation!

Application with increased load capacity

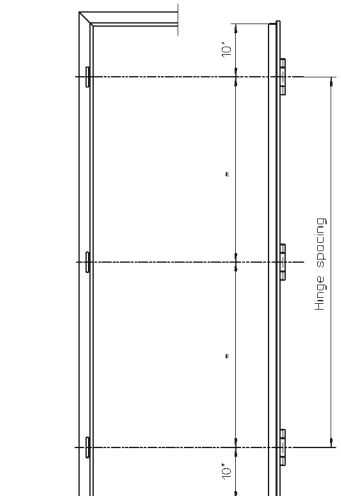


Examples for applications with different door heights

< 8 ft



≥ 8 ft



The hinge spacing does not increase the load capacity!
 Note: We recommend for all exterior doors the use of three hinges.