

## TE 527 3D

Manufactured of mild steel for flush commercial doors

<b>Hinge</b>	<b>up to 120 kg (264 lbs.)</b>
--------------	--------------------------------

### Product Features

- Mild steel
- Completely concealed hinge system
- For wood, steel or aluminum door panels and frames
- For flush commercial doors
- Easily adjustable in three dimensions  
(side +/- 3.0 mm (0.118"), height +/- 3.0 mm (0.118"), compression +/- 1.0 mm (0.039"))
- Maintenance-free slide bearings
- Finger protection due to a small gap between door and frame
- UL listed for 180 minute fire door

The specification text can be downloaded from the PRODUCTSELECTOR at [www.simonswerk-usa.com](http://www.simonswerk-usa.com).

### Technical Data

Load capacity	120 kg (264 lbs.)
Length	155 mm (6.102")
Width (door)	26 mm (1.024")
Width (frame)	26 mm (1.024")
Router bit / collar Ø	3/4" / 1"

### Finishes

stainless steel look (SSL) (126), other finishes available upon request

### Combinations

Receiver/Reinforcement	Commercial frame	Frame mounted
	Casing frame	TE 527 3D FZ
	Steel frame	TE 527 3D SZ
	Steel door	TE 527 3D ST
	Aluminum frame	Specified by manufacturer

### Installation Tools

Jig	Universal milling frame
	Drilling jig TECTUS TE 527 3D
Frame/Door	routing template No. 5 251070 6

### Application Range

Fire Resistant, Smoke Resistant, Soundproof, Forced Entry Resistant

### Note

The load capacity mentioned above refers to the use of 2 hinges per door leaf with a height/width ratio of 2:1 (see page 46 for further detail).

For a minimum door panel thickness of 34 mm (1-3/8").

For fire rated doors: Check with door manufacturer regarding the usage of additional required intumescent material.

Square-corner cover plates are available upon request - see page 34.

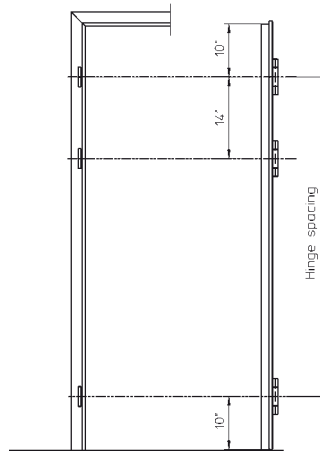
The load capacity may be reduced when installed in combination with a door closer.

For further information, please contact us.

**TECTUS Series**

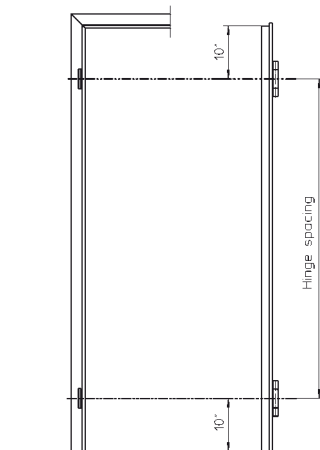
To increase the load capacity of the hinges, a third hinge needs to be positioned 14" below the upper hinge (center to center). The use of a third hinge in order to increase the load capacity has to be determined on a case by case basis. Our hinge data refers to a height/width ratio of the door of 2:1 or more. Please contact us for further information and see also the door manufacturers instructions. Proper preparation and alignment as well as tension-free adjustment are crucial for a hassle-free operation!

**Application with increased load capacity**

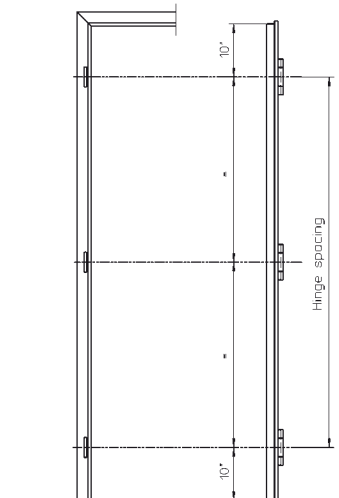


**Examples for applications with different door heights**

< 8 ft



≥ 8 ft



The hinge spacing does not increase the load capacity!  
 Note: We recommend for all exterior doors the use of three hinges.