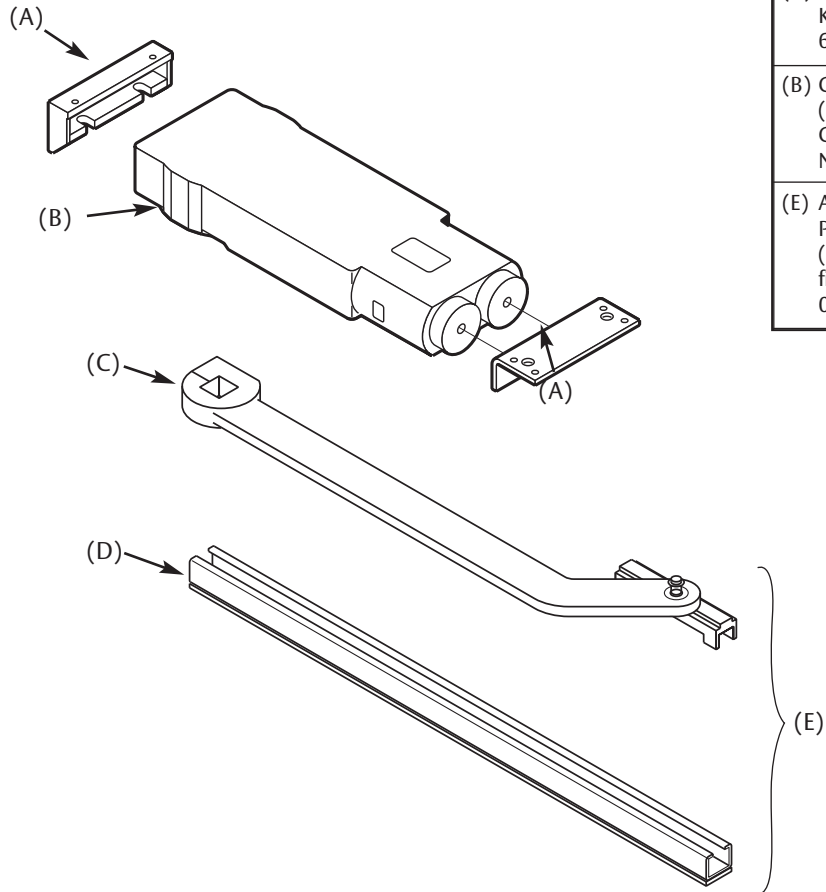


0608/AW0608

(C) Arm Assembly (sprayed finishes only) 0608312-*
(D) Rail 0608109

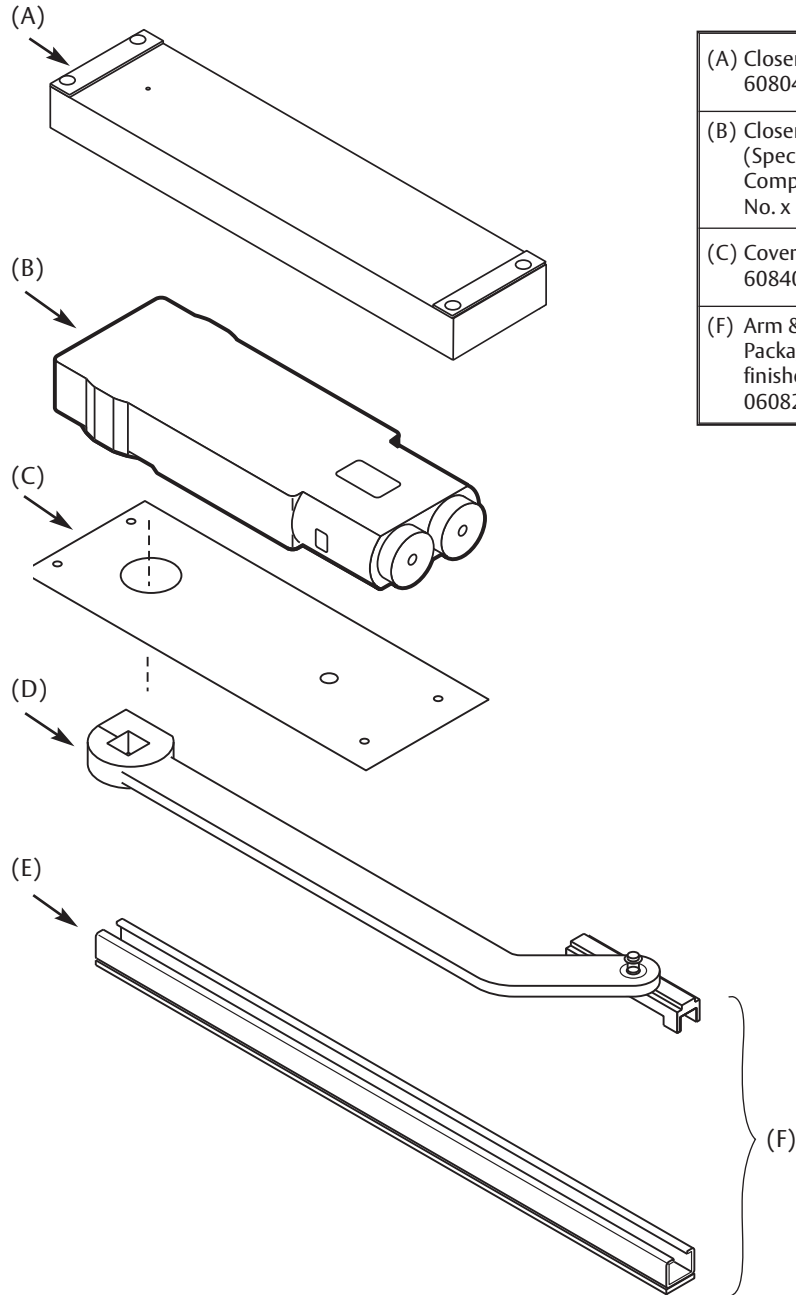


(A) Closer Mounting Kit 608019
(B) Closer Body (Specify Complete Model No. x LAP)
(E) Arm & Rail Package (sprayed finishes only) 06082012-*

M0608/MW0608/W0608

(D) Arm Assembly (sprayed finishes only)
0608312-*

(E) Rail
0608109



(A) Closer Mounting Kit
608049PKG

(B) Closer Body
(Specify Complete Model No. x LAP)

(C) Cover Plate
6084000-*

(F) Arm & Rail Package (sprayed finishes only)
06082012-*