

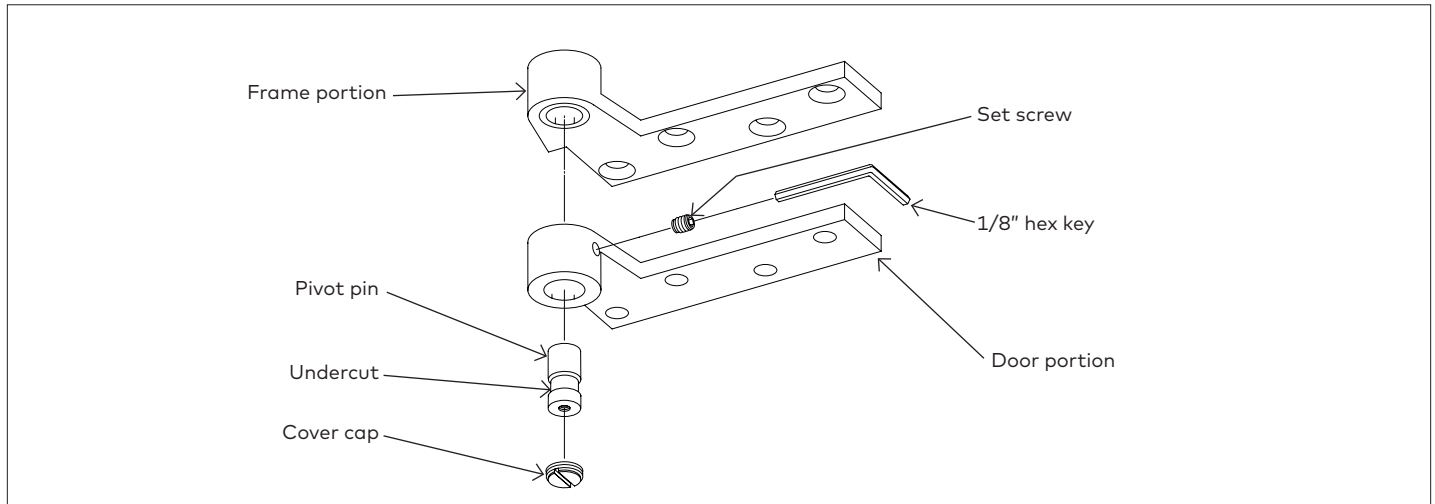
# Installation Instructions

## 3/4" Offset Top Pivot

For use with 75120, 75122, 75133

### 1.1 Install pivot

Fig. 1



- 1.1.1 Prepare door and frame according to template.
- 1.1.2 Remove door portion cover cap.
- 1.1.3 Remove set screw.
- 1.1.4 Remove pivot pin.
- 1.1.5 Fasten pivot to door and frame.
- 1.1.6 Install door.

- 1.1.7 Align door and frame portion of top pivot.
- 1.1.8 Install pivot pin making sure undercut area of pin aligns with set screw.
- 1.1.9 Tighten set screw securely.
- 1.1.10 Install door portion cover cap.

**NOTE:** Depending on type of pivot and hand of door, set screw may be in door portion or frame portion of pivot. However, pivot will always be removeable through door portion.

