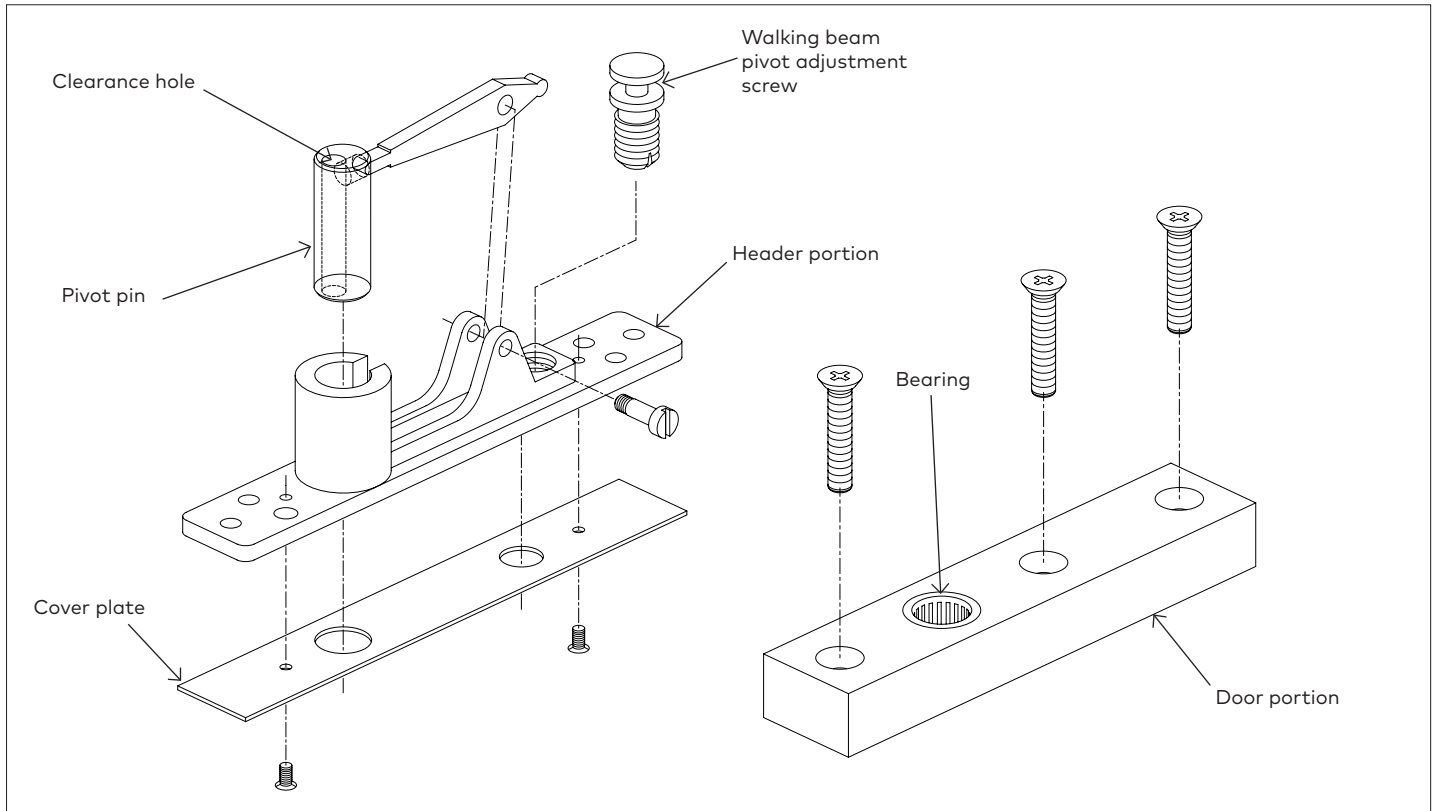


Installation Instructions

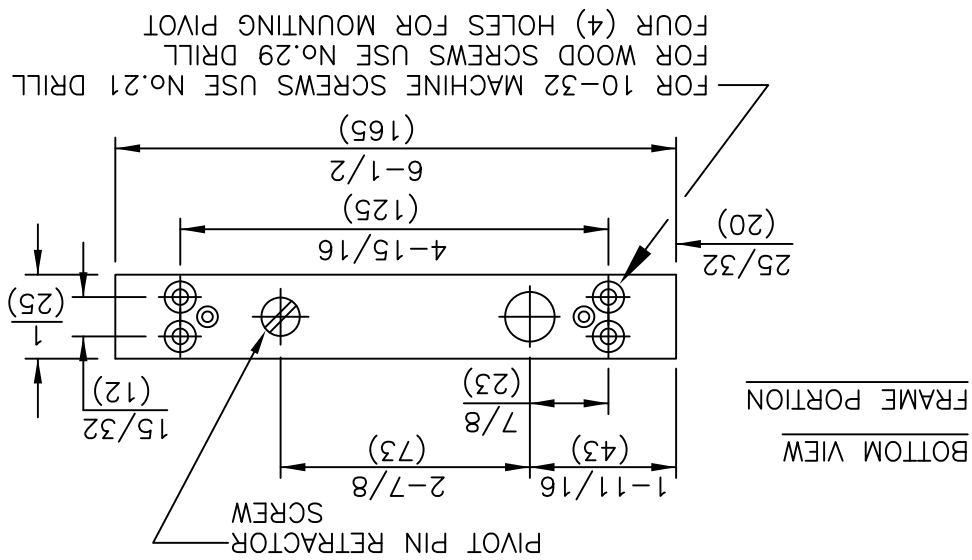
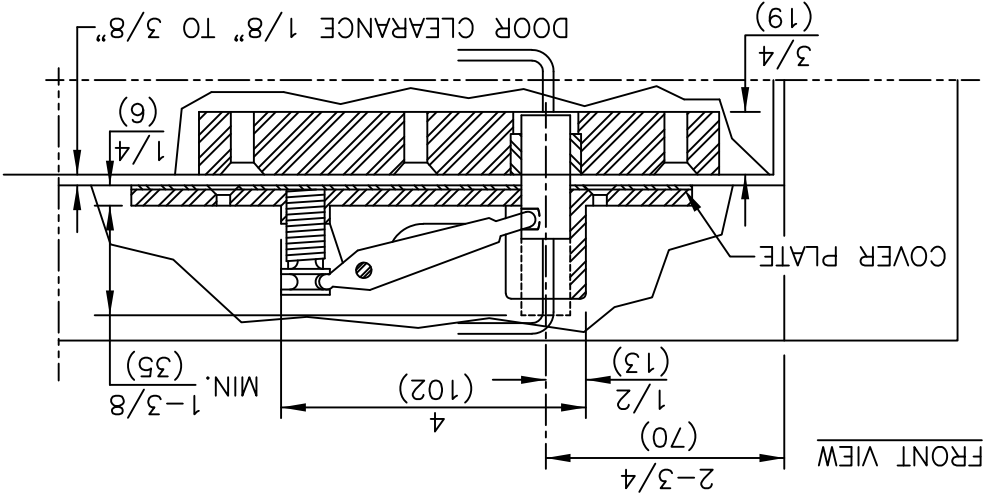
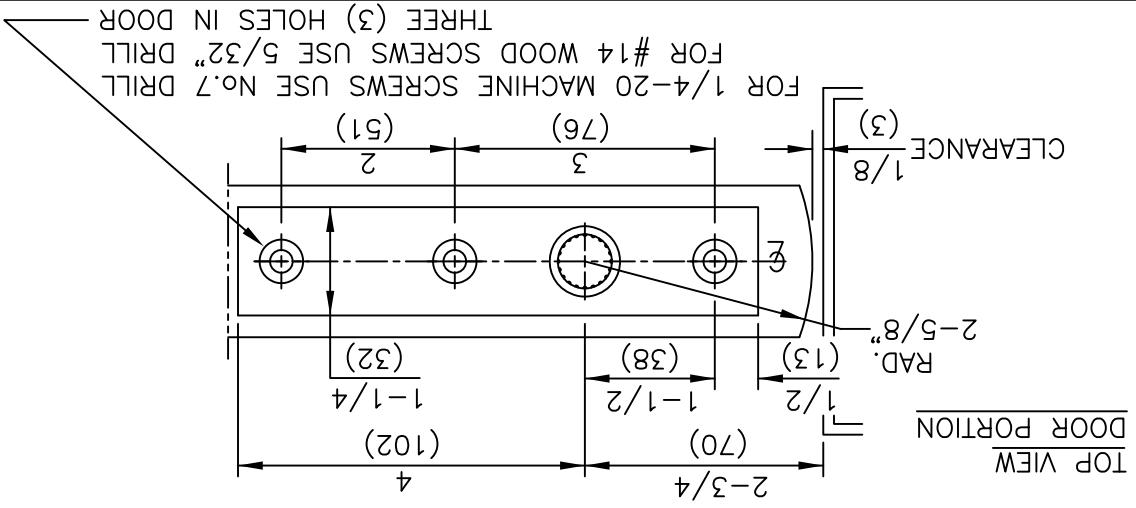
Center Hung Electric Top Pivot For use with E8062

1.1 Install pivot

Fig. 1



- 1.1.1 When making all electrical connections, follow applicable electrical codes.
- 1.1.2 Prepare door and header according to template.
- 1.1.3 Connect wires in header to section of wire provided with pivot.
- 1.1.4 Retract pivot pin in header portion of pivot.
- 1.1.5 Feed wire through clearance hole in pivot pin.
- 1.1.6 Fasten header portion of pivot.
- 1.1.7 Fasten cover plate.
- 1.1.8 Place bottom of door on floor closer spindle or floor bearing.
- 1.1.9 Raise door to a near vertical position.
- 1.1.10 Feed wire through door portion of pivot.
- 1.1.11 Connect wires in door.
- 1.1.12 Fasten door portion of pivot.
- 1.1.13 Align bearing of door portion with pivot pin in header.
- 1.1.14 Carefully feed excess wire into door.
- 1.1.15 Engage pivot pin by turning walking beam pivot adjustment screw clockwise.
- 1.1.16 Test for proper operation of electrical device wired in door.



- NOTES
1. DO NOT SCALE DRAWING.
 2. DIMENSIONS ARE IN INCHES/(MM).
 3. ALL NECESSARY REINFORCING FOR PIVOTS BY OTHERS.
 4. PIVOT PIN DIAMETER .625.
 5. ELECTRICAL RATINGS: TWO WIRE-#18 AWG 3 AMPS
 CONTINUOUS, FOUR WIRE-#22 AWG 2 AMPS
 CONTINUOUS AND LOW VOLTAGE ONLY.
 6. WHEN PREPARING DOOR AND FRAME FOR PIVOT, ALLOW
 SUFFICIENT SPACE FOR MAKING WIRING CONNECTIONS.

MODEL No. E8062
 CENTER HUNG TOP PIVOT FOR POWER TRANSFER



dormakaba USA, INC.
 800 523 8483