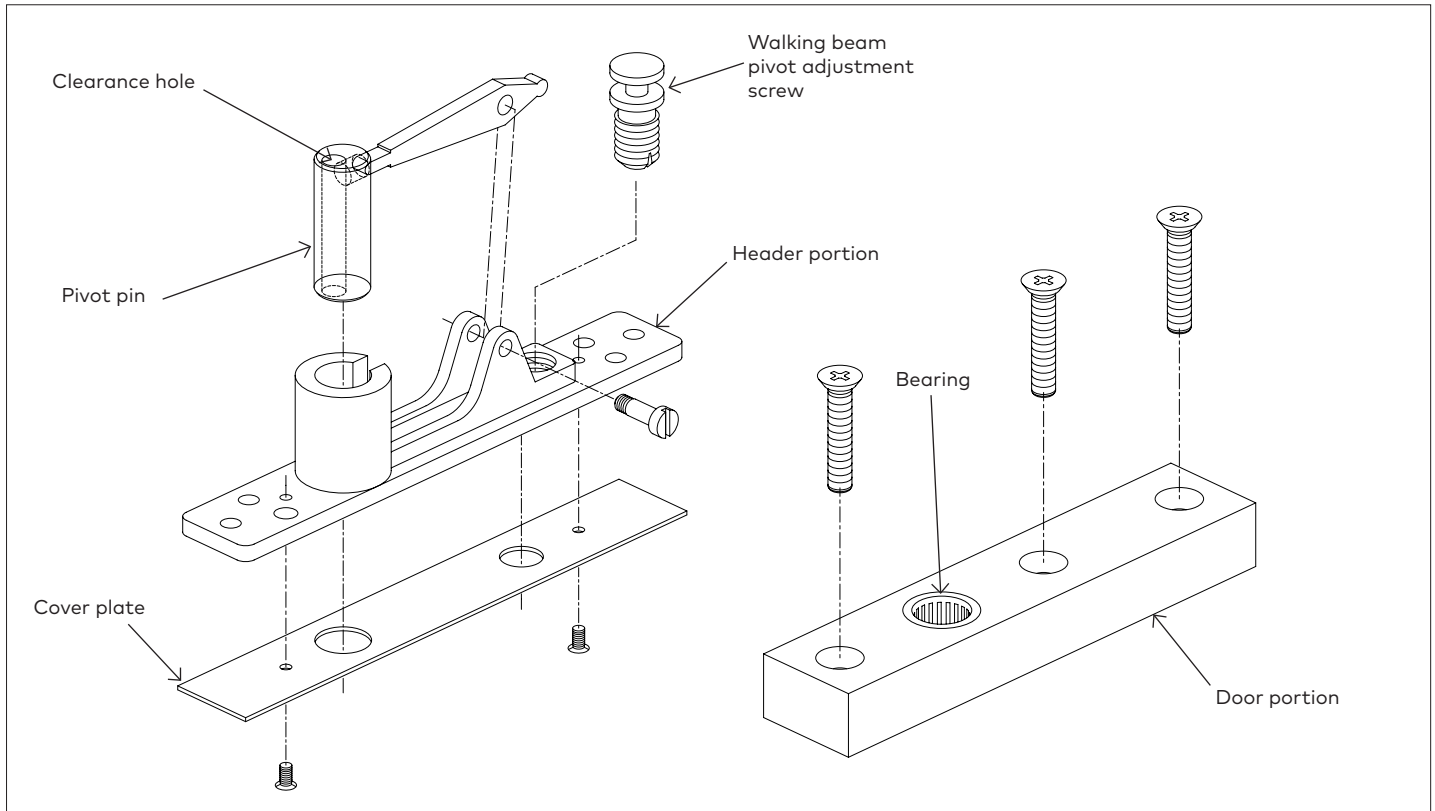


Installation Instructions

Heavy Duty Center Hung Top Pivot For use with HD8062

1.1 Install pivot

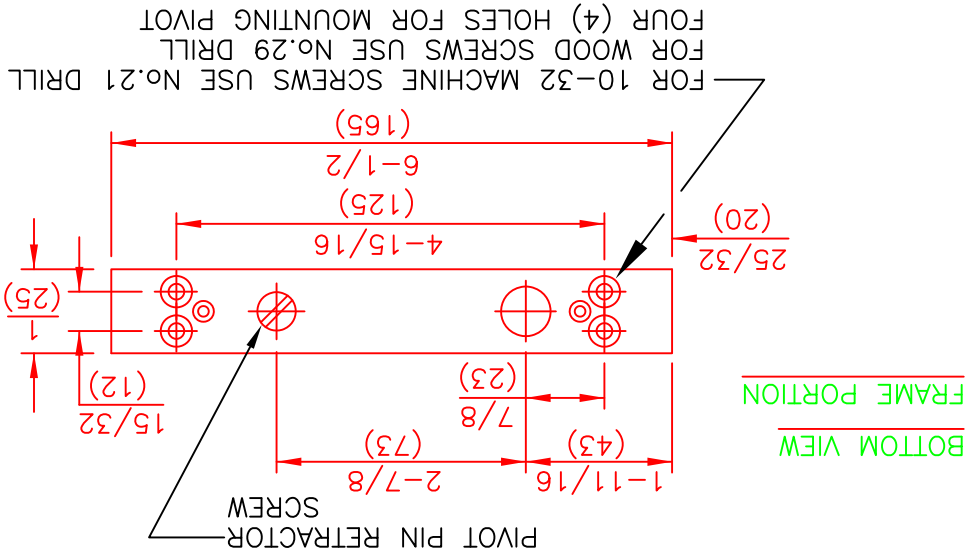
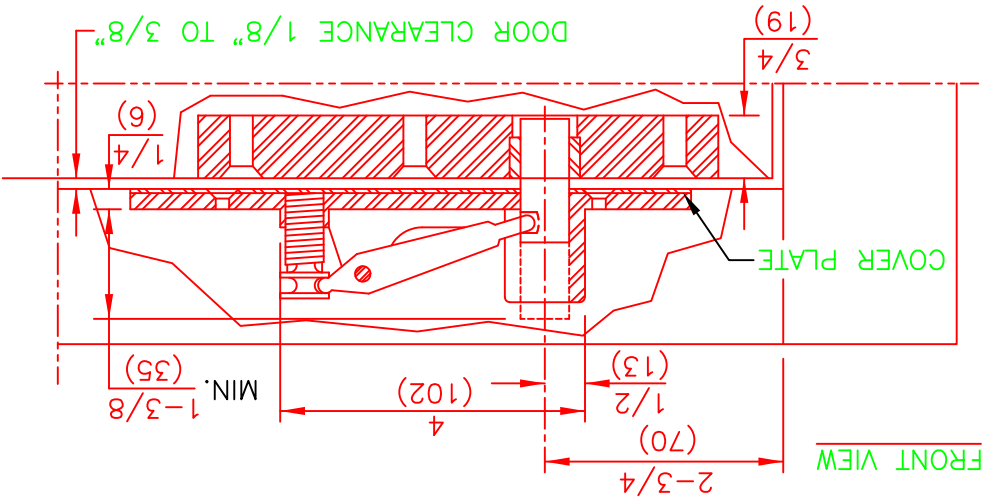
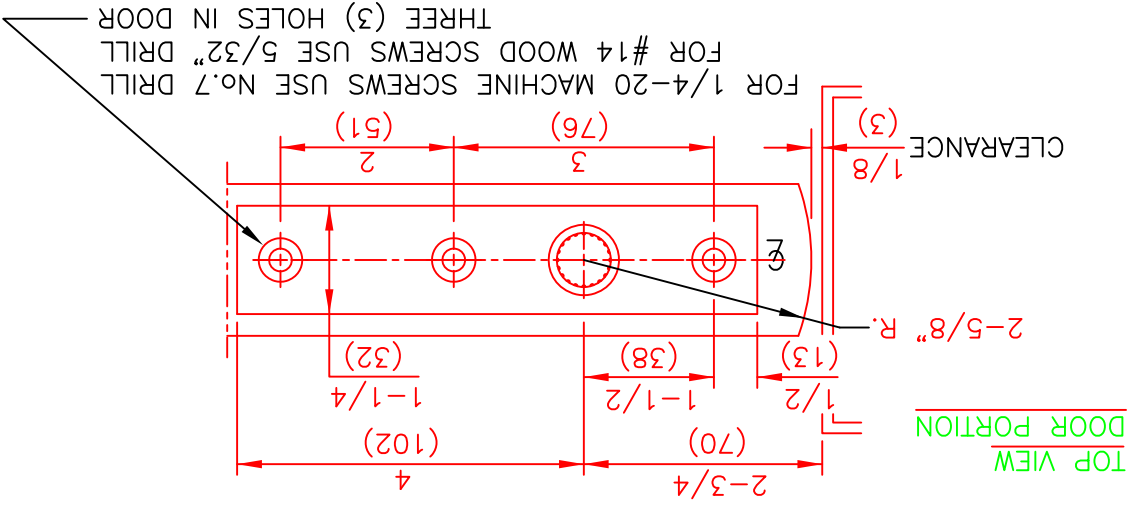
Fig. 1



- | | |
|---|---|
| <ul style="list-style-type: none"> 1.1.1 Prepare door and header according to template. 1.1.2 Fasten header portion of pivot. 1.1.3 Fasten cover plate. 1.1.4 Fully retract pivot pin by turning adjustment screw counter-clockwise. 1.1.5 Fasten door portion of pivot. | <ul style="list-style-type: none"> 1.1.6 Place bottom of door on floor spindle or floor bearing. 1.1.7 Raise door to a near verticle position. 1.1.8 Rotate door to approximately 90° position. 1.1.9 Align bearing with pivot pin in header. 1.1.10 Engage pivot pin fully by turning adjustment screw clockwise. |
|---|---|

NOTES

1. DO NOT SCALE DRAWING.
2. DIMENSIONS ARE IN INCHES/(MM).
3. ALL NECESSARY REINFORCING FOR PIVOTS BY OTHERS.
4. PIVOT PIN DIAMETER .625.



MODEL No. HD8062
 HEAVY DUTY CENTER HUNG TOP PIVOT



dormakaba USA, INC.
 800 523 8483