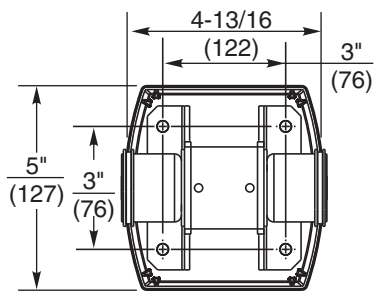
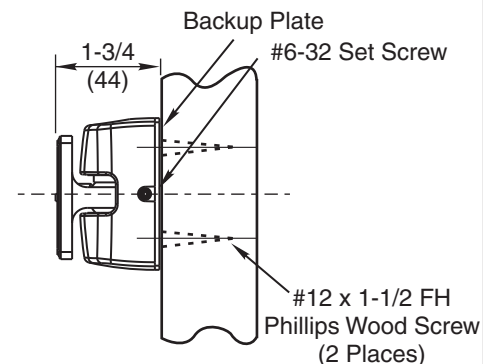


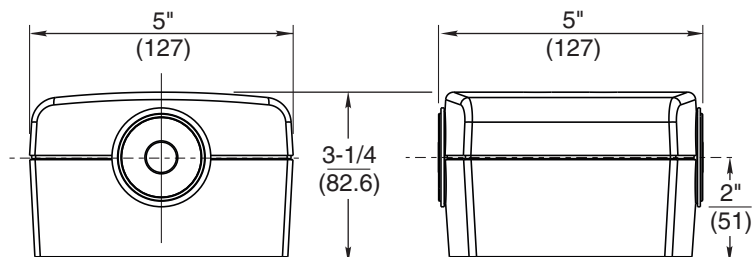
CAUTION: Nicks and scratches on the magnet surface will lessen or diminish the holding force of the magnet. Do not remove protective cap, if present, until last steps of installation.

Surface Applied Concealed Mounting
Recommended for Solid Wood Doors Only

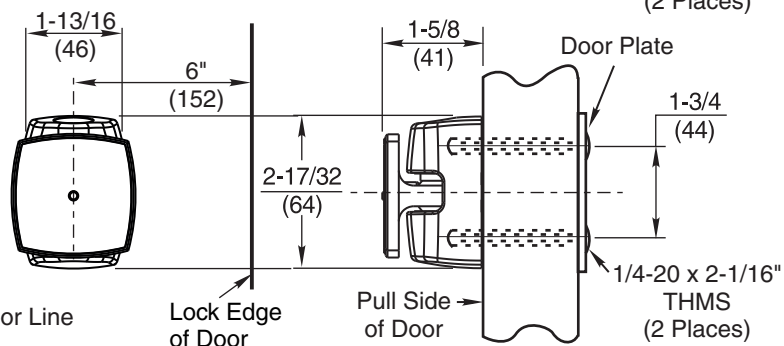
Thru Bolt Mounting
Recommended for Hollow Metal, Hollow Core or Composite Type Wood Doors



Floor Mounting Plate



Floor Portion



NOTES:

1. Do not scale drawing.
2. Non-tri voltage magnets have two non-polarized wires to be connected. Tri voltage magnets are connected using a terminal strip on back of magnet. One wire in common and one wire in the appropriate voltage terminal (non-polarized). Ground floor portion assembly to earth ground per state and local regulations.
3. Suggested location of floor portion should allow door portion to be installed on pull side of door on bottom rail approximately 6" (152mm) from lock edge of door. (See drawing of door portion.)
4. Mount floor portion first. Then mount door portion, using marking template after door has

5. been adjusted to correct height. (See Instructions.)
5. If magnet does not hold, check the following:
 - a. Check if power is turned on.
 - b. Check power source voltage against magnet power requirements on inside of Cover and Magnet Assembly.
 - c. Check alignment of contact plate and magnet. They must make contact freely. If angular adjustment is necessary, repeat #4.
6. Maximum 1/2" (13mm) conduit. See conduit locating instructions on sheet 2.
7. All dimensions given in inches (mm).
8. See sheet 2 for more details.

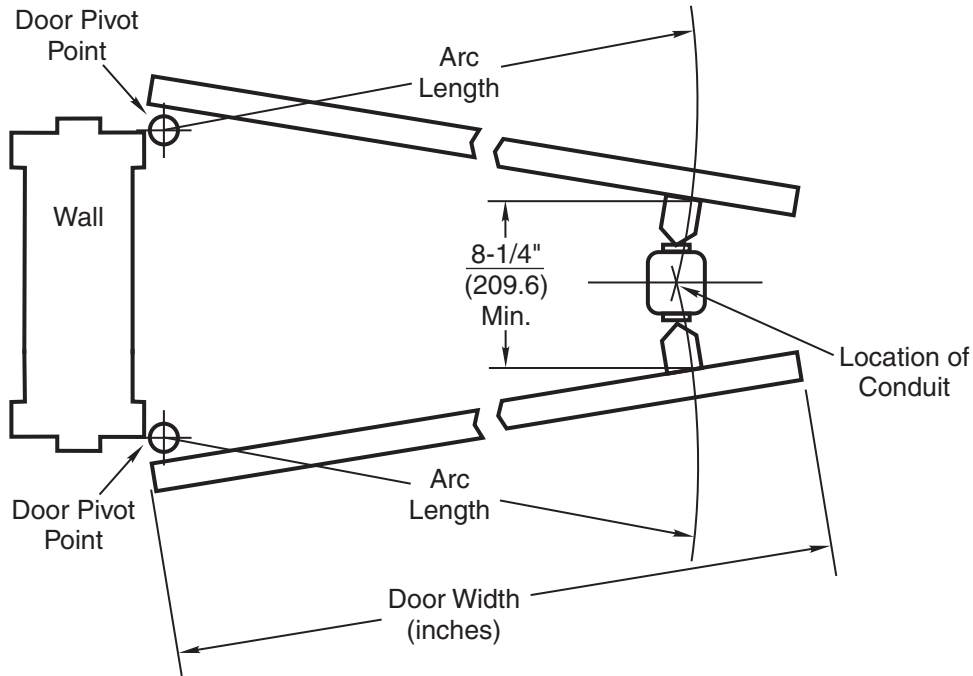
**981M Door Release
Floor Mounted**

RIXSON
ASSA ABLOY

www.rixson.com

SHEET	TEMPLATE NUMBER	Rev
1 of 2	DR100155	2

981M Back to Back Installation



1. Determine pivot point of door.
2. Determine door width (inches).
3. Determine maximum degree of door opening permitted by door closer (maximum degree of opening 130°).

To Locate Conduit:

1. Determine "arc length" (see drawing).
 Arc Length = Width of Door (inches) minus 5-5/8" (143mm)
 Example: To determine "arc length" of 3'0" (914mm) door
 Width of Door (inches) 36" (914mm)
 Minus 5-5/8" (143mm)
Arc Length = 30-3/8" (771.5mm)
2. Strike "arc lengths" from pivot points of doors. Conduit will be located where the two arcs intersect. (See drawing.)
3. 8-1/4" (210mm) minimum space required between pull sides of doors for full 90° opening. (Maximum degree of door opening 130°).

981M Door Release Locations

RIXSON

ASSA ABLOY

www.rixson.com

SHEET	TEMPLATE NUMBER	Rev
2 of 2	DR100155	2