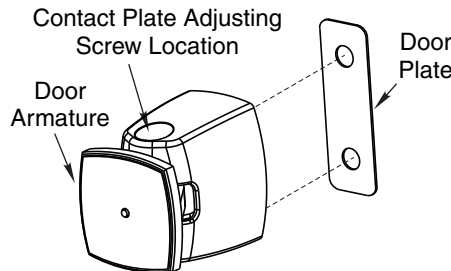
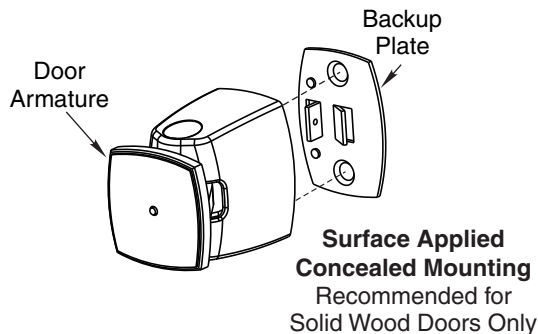
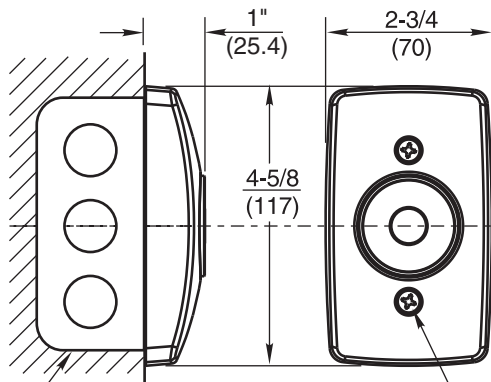
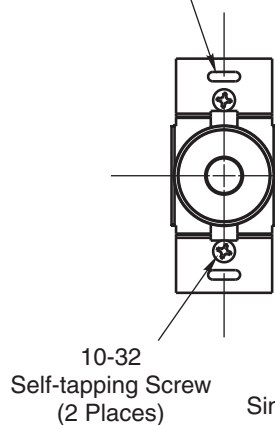


* For Wiring See Note 3

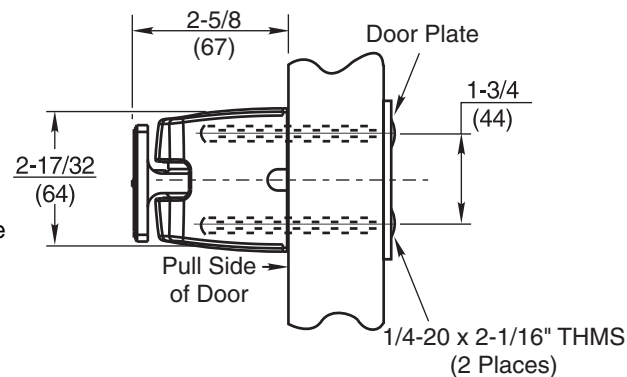
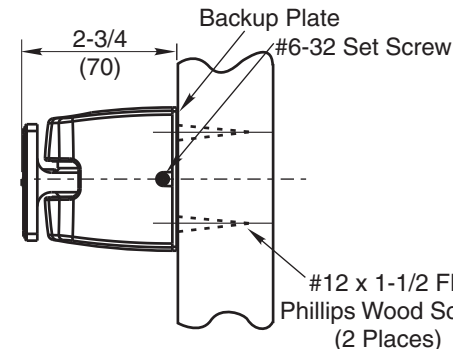
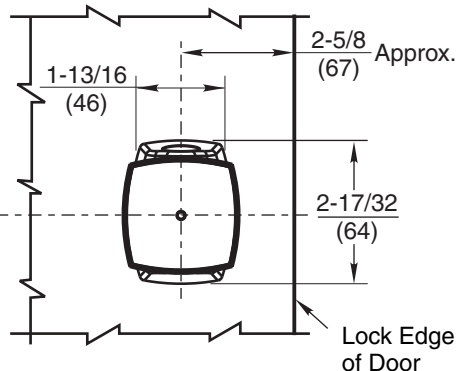


CAUTION: Nicks and scratches on the magnet surface will lessen or diminish the holding force of the magnet. Do not remove protective cap, if present, until last steps of installation.

5/32" x 3/8" (4 x 9.5) Slot for 2" x 4" (51 x 102) Electric Box (2 Places)



10-32 x 1-1/2" Flat Head Self-Tapping Screws (2 Places)



Notes:

1. Do not scale drawing.
2. Total projection 3-5/8" (92mm). (Includes electromagnet and armature assembly.)
3. Non-tri voltage magnets have two non-polarized wires to be connected. Tri voltage magnets are connected using a terminal strip on back of magnet. One wire in common and one wire in the appropriate voltage terminal (non-polarized). Ground assembly to earth ground per state and local electrical regulations.
4. See step 1 of sheet 2 for Electric Box location. Anchor Electric Box to withstand a

5. minimum 50 lb. pull. Electric Box shown installed in a vertical position.
6. Door closing mechanism should have a 3 lb. closing force at the degree of door opening where door armature and electromagnet engage.
7. Mounting of Electric Box should be reinforced to withstand shock of door opening. Failure to do so will cause Box anchors to work loose.
8. All dimensions given in inches (mm).
9. See sheet 2 for more details.

998M Door Release

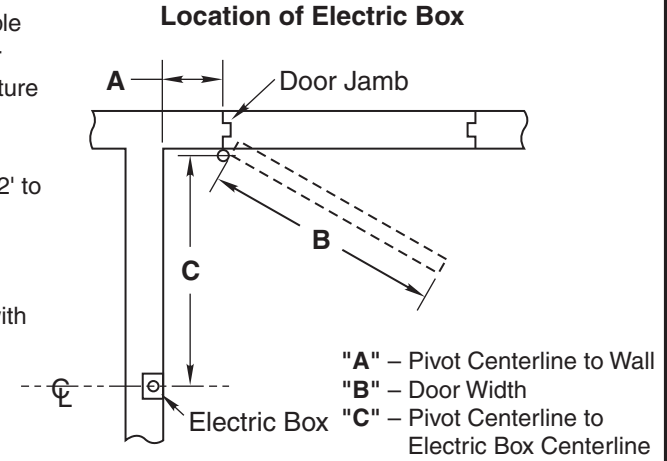
RIXSON
ASSA ABLOY

www.rixson.com

SHEET	TEMPLATE NUMBER	Rev
1 of 2	DR100275	1

- Use table to locate Electric Box.
- Determine door width (Dim "B"). Measure pivot centerline to wall (Dim. "A"). Find dimension "C" in table.
 Example: Pivot centerline to wall ("A") = 10" (254mm)
 Door Width ("B") = 36" (914mm)
 Electric Box Centerline ("C") = 33" (838mm)
- If "A" or "B" falls between the numbers listed in table, allow for difference.
 Example: Pivot centerline to wall ("A") = 17" (4328mm)
 Door Width ("B") = 36" (914mm)
 Electric Box Centerline ("C") = 30-1/4" (768mm)

- If dimensions "A" and "B" intersect in shaded area of table DO NOT INSTALL ELECTRIC BOX. The degree of door opening will not permit proper alignment between armature and wall magnet.
- Height to be determined by others. Suggested height is 2' to 4' (610mm to 1219mm) from floor and/or not over 6' (1829mm).
- Check degree of door opening in table and coordinate with door closers and other door hardware.



Door Width "B"

Dim. "A"	28		30		32		34		36		38		40		42		44		46		48			
	"C"	Deg.	"C"	Deg.	"C"	Deg.	"C"	Deg.	"C"	Deg.	"C"	Deg.	"C"	Deg.	"C"	Deg.	"C"	Deg.	"C"	Deg.	"C"	Deg.		
2	26	90°	28	90°	29-7/8	90°	32	90°	34	90°	36	91°	38	91°	40	92°	42	92°	43-7/8	92°	45-5/8	92°		
4	26	93°	28	94°	29-7/8	94°	32	94°	34	94°	36	94°	38	94°	40	94°	42	94°	43-7/8	94°	45-5/8	94°		
6	25-5/8	97°	27-5/8	97°	29-5/8	97°	31-3/4	97°	33-3/4	97°	35-3/4	97°	37-3/4	97°	39-3/4	97°	41-3/4	97°	43-5/8	96°	45-3/8	96°		
8	25-1/4	103°	27-1/4	103°	29-1/4	103°	31-3/8	101°	33-1/2	100°	35-1/2	100°	37-3/8	100°	39-1/2	99°	41-1/2	99°	43-3/8	98°	45-1/4	98°		
10	24-5/8	107°	26-3/4	106°	28-3/4	106°	30-7/8	105°	33	104°	35	103°	37	103°	39-1/8	103°	41-1/8	103°	43	102°	44-7/8	102°		
12	23-3/4	113°	25-7/8	111°	28	110°	30-1/8	108°	32-1/4	107°	34-3/8	107°	36-3/8	107°	38-1/2	106°	40-5/8	106°	42-1/2	104°	44-3/8	104°		
14	22-3/4	117°	25	115°	27-1/4	114°	29-3/8	113°	31-1/2	112°	33-3/4	110°	35-7/8	109°	38	108°	40	107°	42	106°	43-7/8	106°		
16	21-3/4	123°	24	120°	26-1/4	117°	28-1/2	116°	30-3/4	115°	33	114°	35-1/8	113°	37-1/4	112°	39-3/8	112°	41-3/8	110°	43-3/8	108°		
18	20	127°	22-1/2	125°	25	123°	27-3/8	120°	29-3/4	117°	32	116°	34-1/4	116°	36-1/2	115°	38-5/8	114°	40-5/8	113°	42-1/2	112°		
20	18-1/4	134°	21	130°	23-1/2	127°	26	125°	28-1/2	123°	30-7/8	121°	33-1/8	119°	35-3/8	118°	37-5/8	117°	39-5/8	115°	41-5/8	114°		
22			18-3/4	132°	21-5/8	133°	24-3/8	130°	27	127°	29-3/8	125°	31-3/4	123°	34-1/8	121°	36-1/2	120°	38-5/8	118°	40-3/4	116°		
24							22-1/2	132°	25-1/2	133°	28-1/8	130°	30-5/8	127°	33-1/8	125°	35-5/8	123°	37-7/8	121°	40	119°		
26											26-1/4	132°	29	130°	31-5/8	128°	34-1/4	127°	36-1/2	125°	38-5/8	123°		
28															29-3/4	130°	32-1/2	129°	34-7/8	127°	37-1/8	126°		
30															27-3/4	132°	30-5/8	134°	33	130°	35-3/8	128°		
32																					31-3/8	132°	33-7/8	132°

All dimensions given in inches.

998M Door Release Location Sheet

RIXSON

ASSA ABLOY

www.rixson.com

SHEET	TEMPLATE NUMBER	Rev
2 of 2	DR100275	1