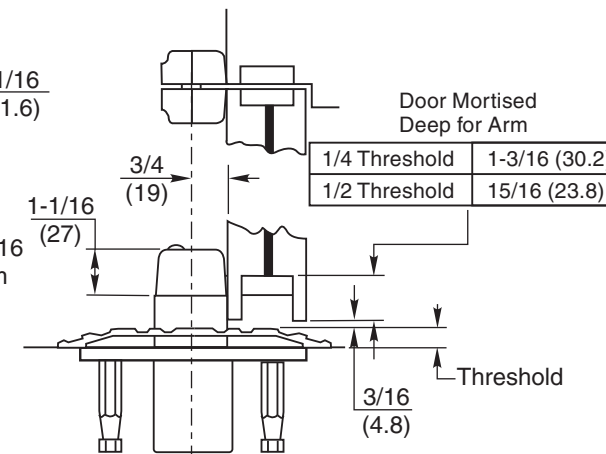


Notes:

1. Do not scale drawing.
2. Dimensions given in inches (mm).
3. Arm And Top Pivot Drilled To Receive 1/4-20 X 1" FHMS Or # 14 x 2" FHWS
4. For Wood Doors: Pre-Drill Arm And Top Pivot Holes To Prevent Splitting.
5. If Vertical Adjustment Is Required, Two 1/16 (1.6) Shims Are Provided. Place Shims Between Arm And Spindle Shoulder Collar.
6. Maximum Degree Of Opening, Trim Permitting Is 180°. Suitable Reinforcement By Others. Lead Lining By Others. Right Hand Shown.



With Floor Plate

Set cement case 1/16 (1.6) below surface of finished floor

With Threshold

Set Cement Case Flush With Finished Floor To Maintain Proper Clearance Use One (1) 1/16 (1.6) Shim Between The Arm And Arm Bearing Washer.

Note:

For Door Thickness Not Listed, Use Next Size Smaller Door Size For Preparation.

Door Size	A	B	Max. Lead Th'k
1-3/4"	1-1/4 (31.8)	1/4 (6.4)	9/32 (7.1)
2"	1-3/8 (34.9)	5/16 (7.9)	3/8 (9.5)
2-1/4"	1-1/2 (38.1)	3/8 (9.5)	15/32 (11.9)
2-1/2"	1-5/8 (41.3)	7/16 (11.1)	9/16 (14.3)
3"	2 (50.8)	1/2 (12.7)	3/4 (19)

Table Is Based On Lead Being Placed In Center Of Door.

Pivot Set Single Acting
 3/4" Offset-Handed
 For Lead Lined Doors

RIXSON
ASSA ABLOY

www.rixson.com

NUMBER

IS-L117

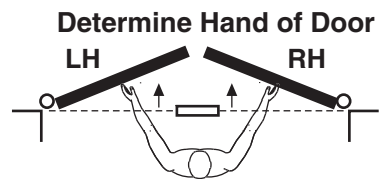
DATE

07-09

L 117 Heavy Duty Pivot Set

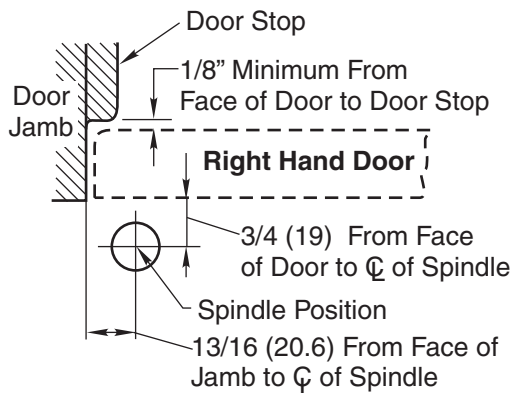
Offset Hung

Handed



1. Locate Pivot

- Measure 13/16 (20.6) from door jamb.
- Allow 1/8 (3.2) minimum clearance from door stop to door face. Measure door thickness; add 3/4 (19).
- Where lines meet determines centerline of pivot.

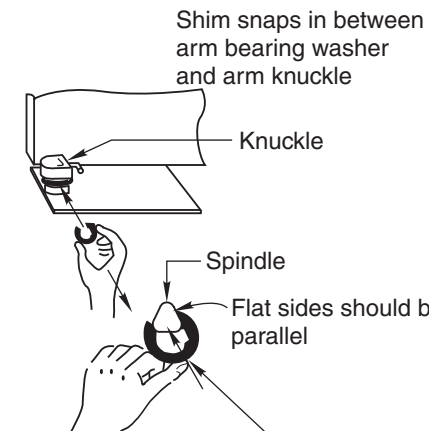


- Grout in cement case with bottom pivot. Cement should not get between pivot and cement case.
- A dummy steel floor plate is provided in the event that grinding of floors is necessary.

- If door drags at floor or threshold (if used), raise door to desired clearance and insert one or more 1/16 (1.59) shims.
- Tighten Arm and Locking Screw securely with wrench provided.
- Put arm cap on pivot spindle and secure TIGHTLY with cap screw provided.
- Install floor plate, if required.

3. Install Top Pivot And Pivot Arm

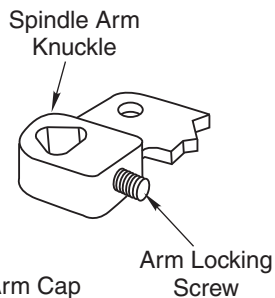
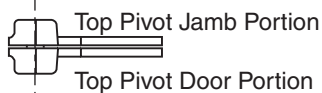
- Install top pivot in door per template.
- Install top pivot in frame per template.
- Install arm in door per template.
- Centerline of top pivot should line up with centerline of spindle.



Push shim into position with thumb or butt end of screwdriver

IMPORTANT

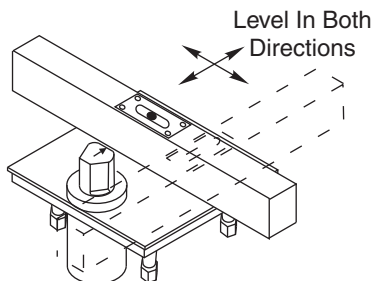
Use plumb line to make sure that centerline of top pin lines up with centerline of Pivot Spindle.



Right Hand Installation

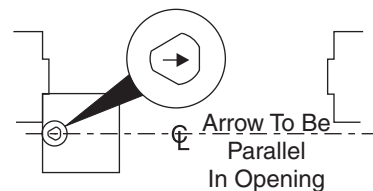
2. Install Cement Case In Floor

- For floor plate application, top of cement case is located 1/16 (1.6) below the finished floor.
- For threshold application, top of cement case is located flush with the finished floor.
- Set cement case in floor and block in position.
- Case should be parallel with centerline of door.
- Cement case should be level. Place level per illustration.

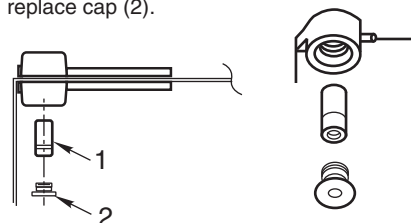


4. Hang Door

- To facilitate hanging of door, position arrow on top of spindle so it is parallel with the opening, and pointing toward the lock jamb. This can be accomplished with the wrench provided.
- Set door on spindle.



- Push top pivot pin (1) up into place and replace cap (2).



DO NOT SCALE DRAWING

Pivot Set Single Acting
3/4" Offset-Handed
For Lead Lined Doors

RIXSON
ASSA ABLOY

www.rixson.com

NUMBER

IS-L117

DATE

07-09