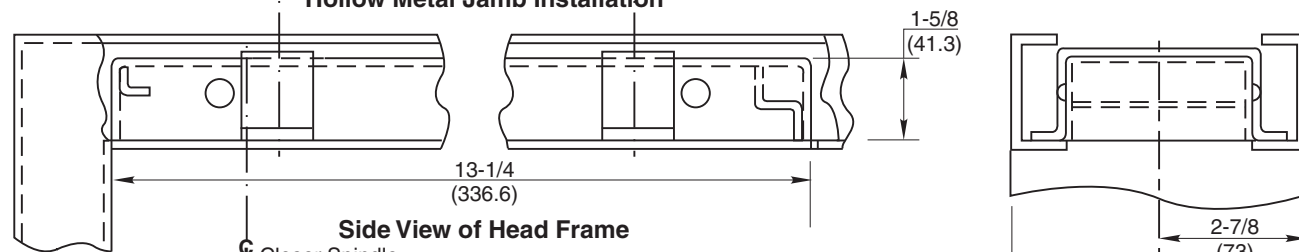
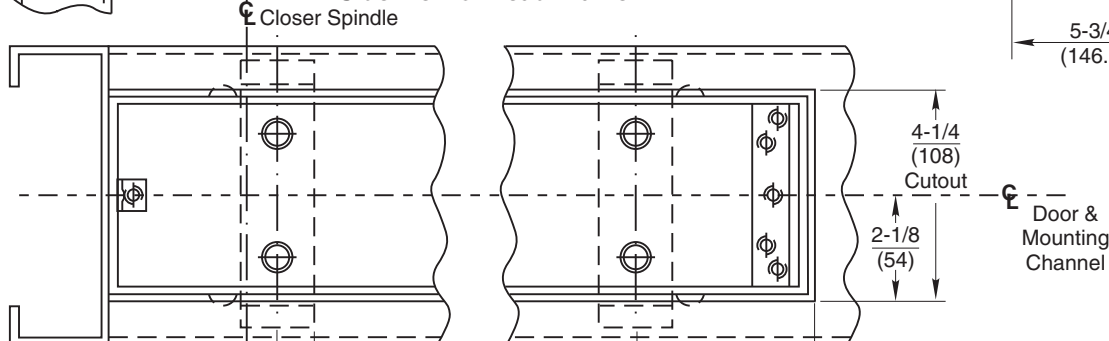


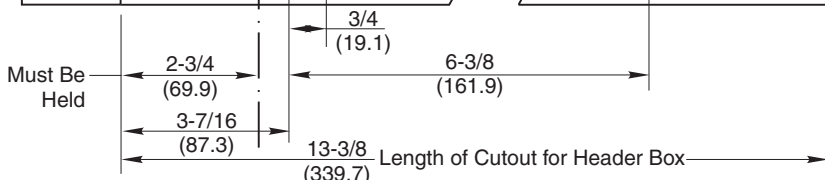
Hollow Metal Jamb Installation



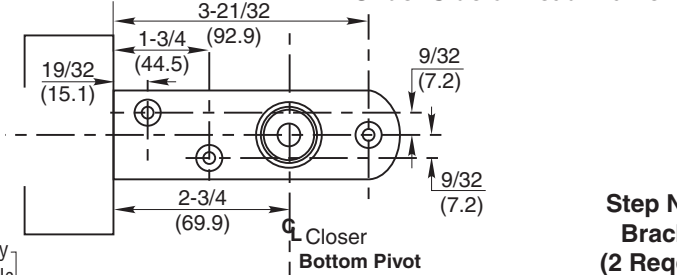
Side View of Head Frame



Step No. 3 Head Frame Installation

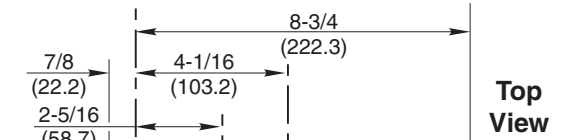
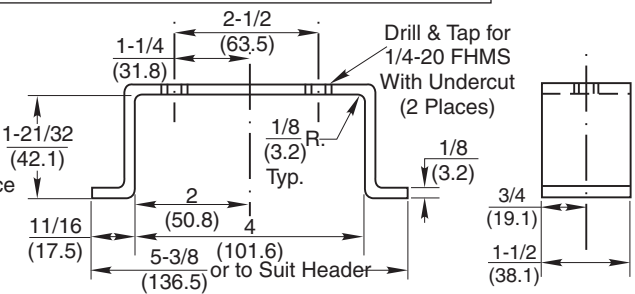


Under Side of Head Frame

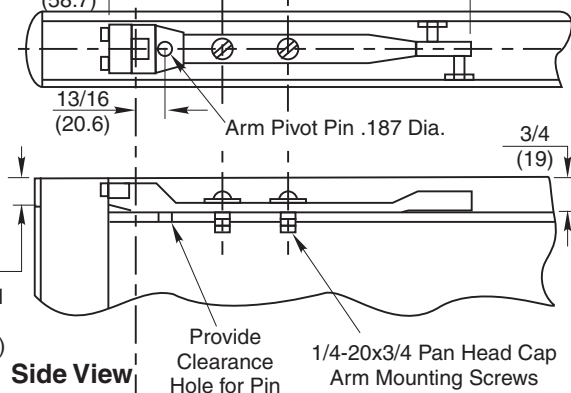


- NOTES:**
1. Do not scale drawing.
 2. 2" (50.8) x 5-1/2" (139.7) minimum width head frame.
 3. Single acting operation requires a door stop on the underside of frame.
 4. Door radius recommended is 2-5/8" (66.7).
 5. All dimensions given in inches (mm).

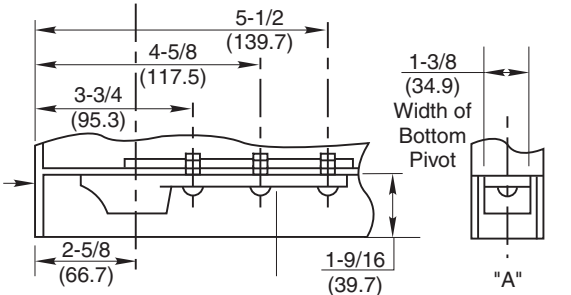
Step No. 1 Bracket (2 Req'd. by Others)



Top View

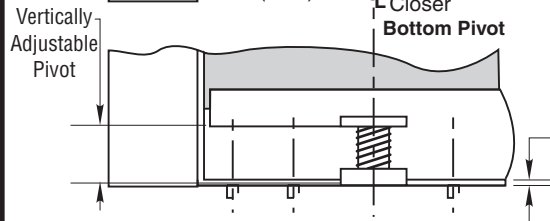
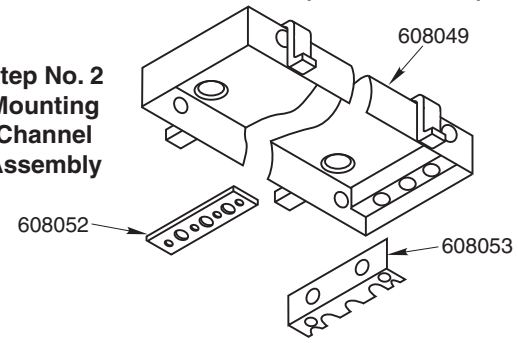


Side View



Side View (Bottom Pivot)

Step No. 2 Mounting Channel Assembly



M608 Series Overhead Concealed Door Closer Center Pivoted for Metal Doors and Frames

RIXSON
ASSA ABLOY

www.rixson.com

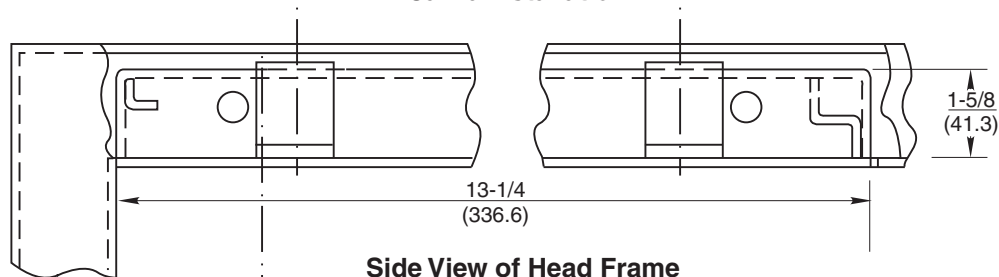
TEMPLATE NUMBER

OC60435

DATE

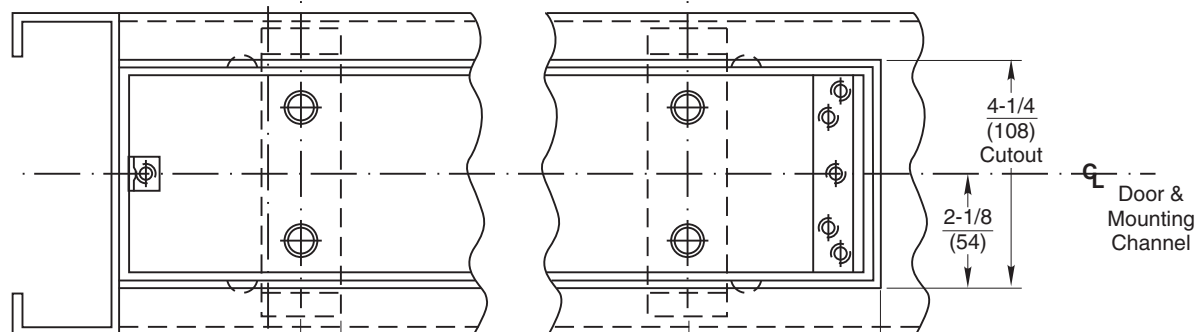
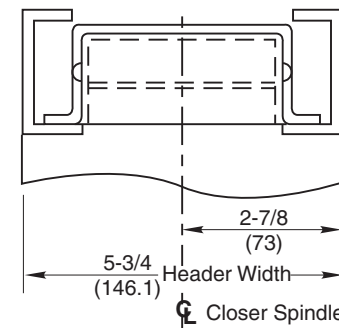
05-09

Jamb Installation

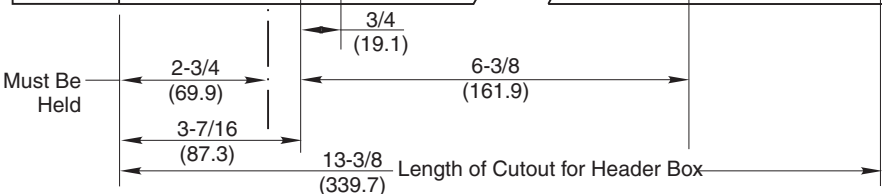


Side View of Head Frame

⊕ Closer Spindle

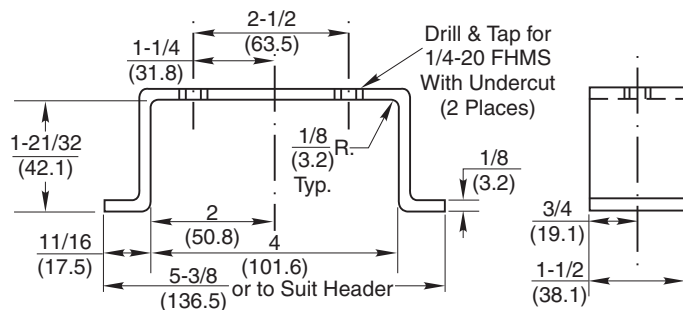


Step No. 3 Head Frame Installation

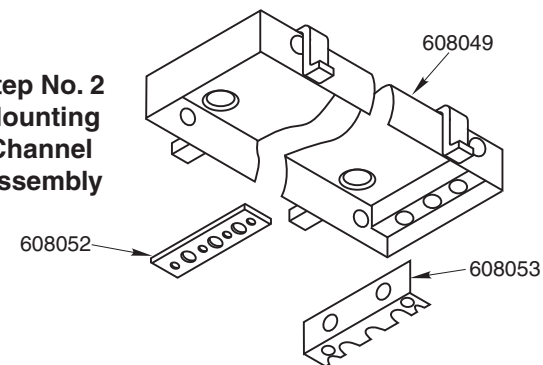


Under Side of Head Frame

Step No. 1 Bracket (2 Req'd. by Others)



Step No. 2 Mounting Channel Assembly



NOTES:

1. Do not scale drawing.
2. 2" (50.8) x 5-1/2" (139.7) minimum width head frame. (16 Ga. Max.)
3. Cover plate (not shown) 5" wide x 14" long (12.7cm x 35.6cm). Cover plate to overlap cutout in frame.
4. All dimensions given in inches (mm).

692 Series Mounting Channel Center Hung

RIXSON
ASSA ABLOY

www.rixson.com

TEMPLATE NUMBER

OC60410

DATE

05-09