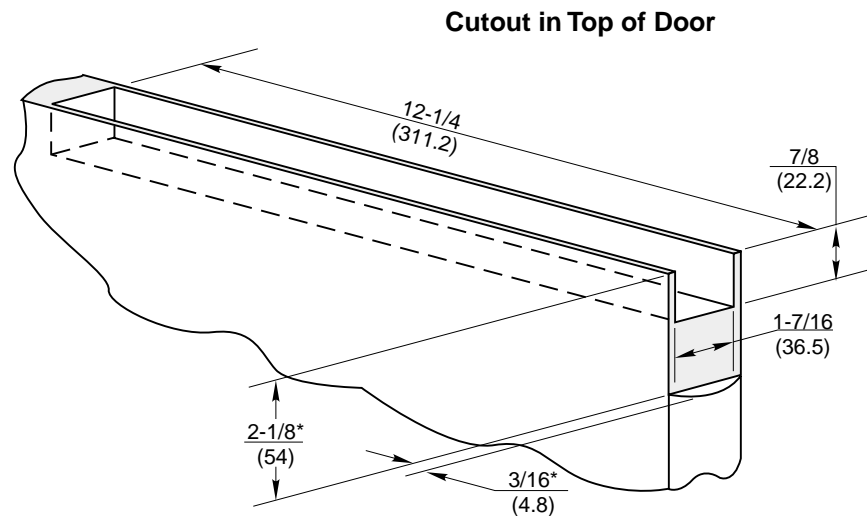
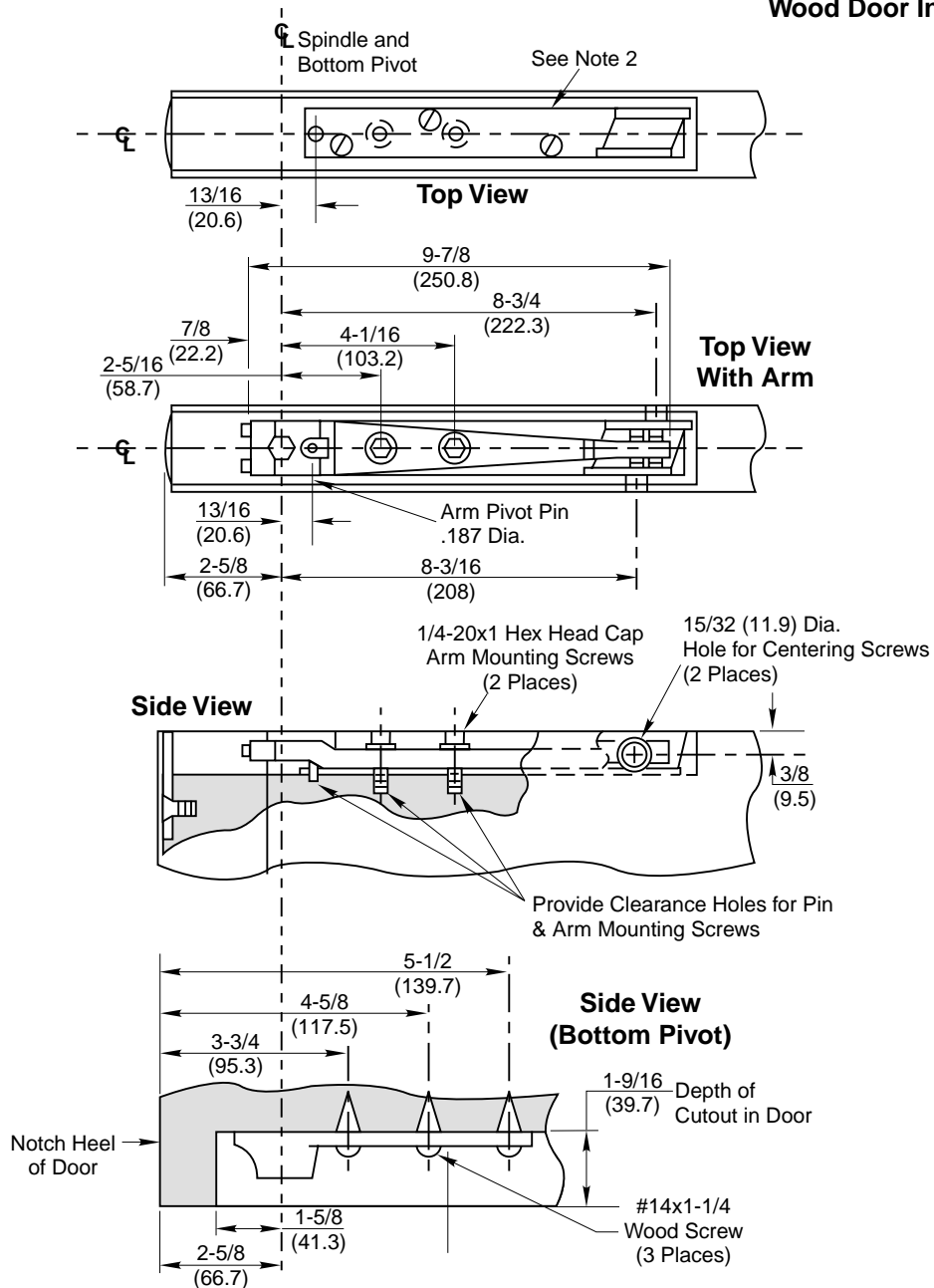


Wood Door Installation



* Mortise only when end cap is specified. See Note 3.

NOTES:

1. Do not scale drawing.
2. Arm plate used with arm on wood doors. Attach with #14x1-1/4" FHWS.
3. No. 199 door end caps optional extra; mortise for top and bottom of door is identical.
4. Door radius recommended is 2-5/8" (66.7).
5. All dimensions given in inches (mm).

MW608 Series Overhead Concealed Door Closer Center Pivot



Rixson Specialty Door Controls

www.rixson.com

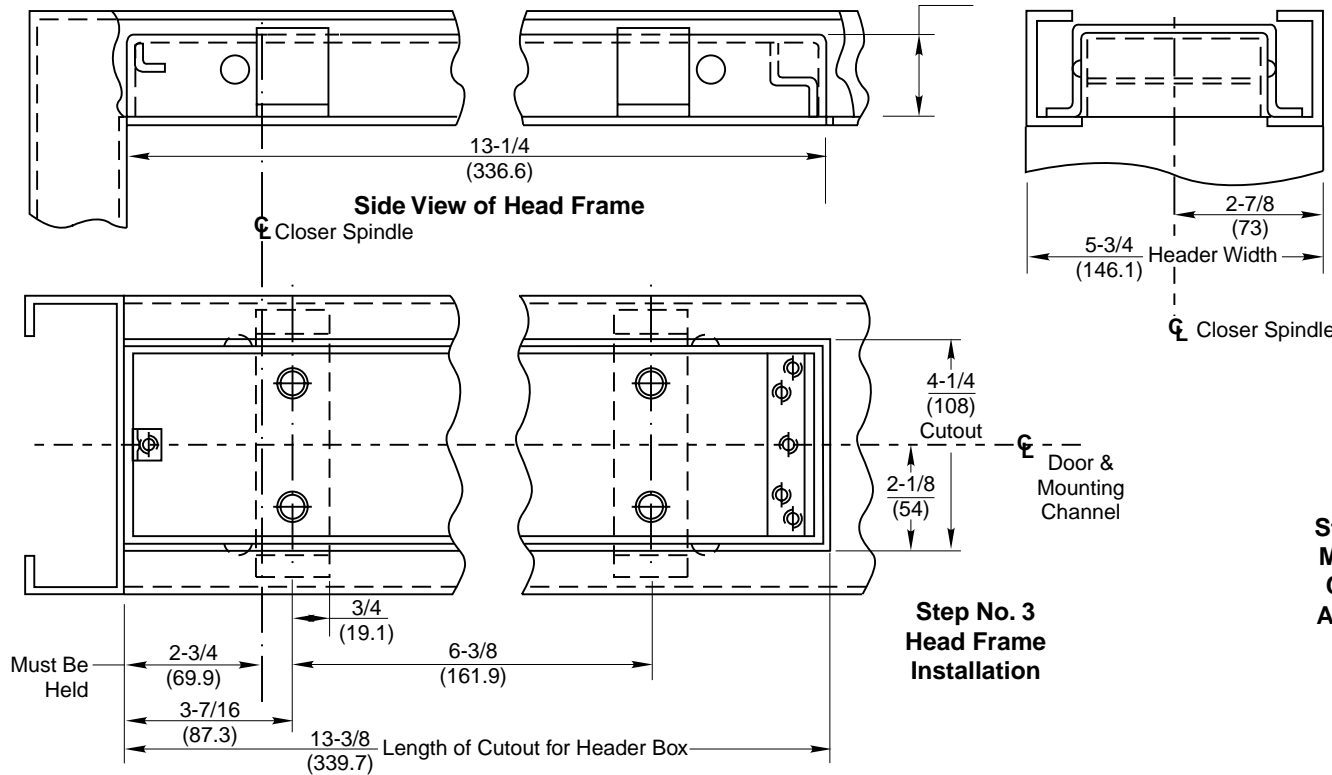
TEMPLATE NUMBER

OC60440A

DATE

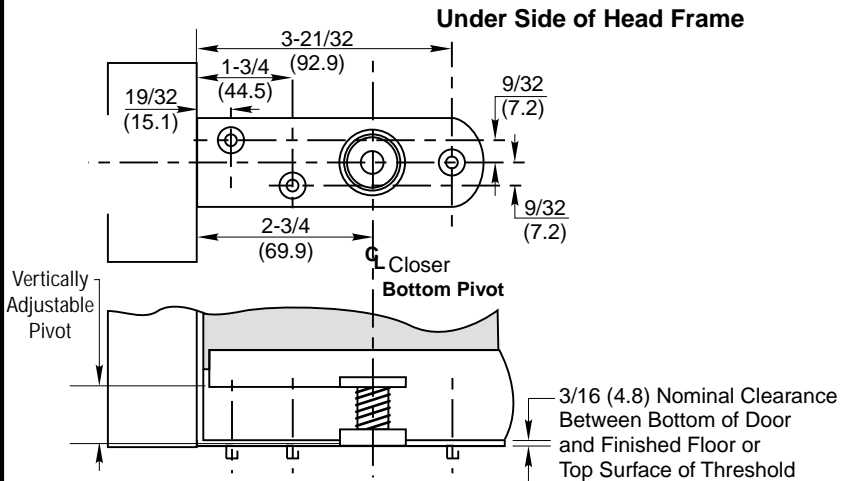
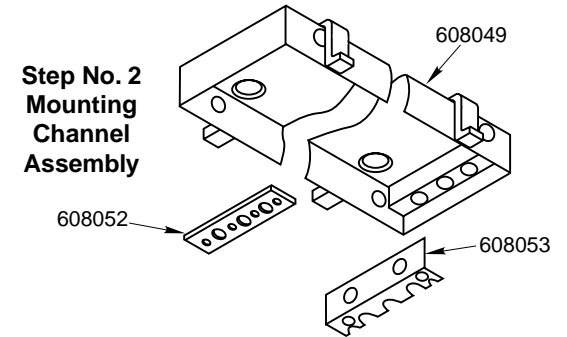
1-06

Hollow Metal Jamb Installation

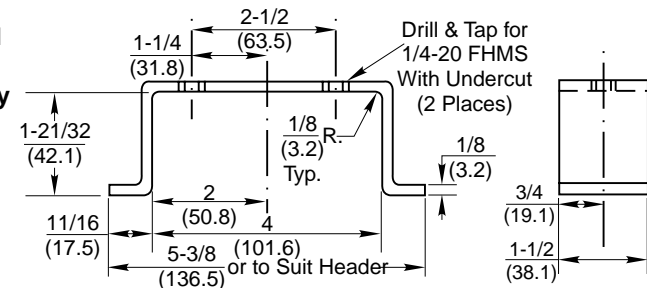


NOTES:

1. Do not scale drawing.
2. 2" (50.8) x 5-1/2" (139.7) minimum width head frame.
3. Single acting operation requires a door stop on the underside of frame.
4. All dimensions given in inches (mm).



Step No. 1 Bracket (2 Req. by Others)



MW608 Series Overhead Concealed Door Closer Center Pivot



Rixson Specialty Door Controls

www.rixson.com

TEMPLATE NUMBER

OC60440B

DATE

1-06